

**2996**

**- NOTICE -**

**This playset product is not intended for public use. It is intended for residential application and is not warranted for public or commercial use.**



***Call Us First!***  
***DO NOT RETURN TO STORE.***

**For immediate help with assembly or product information**

**Call our toll-free number:**

**1-866-890-2211**

**April through October M - F 8:00 AM to 6:00 PM EST**

**Saturday 8:30 AM to 4:30 PM EST**

**November through March M - F 8:00 AM to 5:00 PM EST**

**or email:**

***customerservice@backyard-play.com***

**Our staff is ready to provide assistance.**

(This page intentionally left blank.)

Customer Service  
1-866-890-2211  
1000 Ternes Drive  
Monroe, MI 48162

# Backyard Play Systems Playset

Model 4430  
5036  
6400

Recommended for Ages 3 to 11

## - BEFORE YOU BEGIN -

### Tools Required

Socket Set

Hammer

9/16" Combination  
Wrench

3/16" Allen Wrench

#2 Square Drive  
Bit (included)

#3 Phillips Bit

Cordless Drill  
w/Charger

1/8" Drill Bit

7/16" Drill Bit

1/4" Drill Bit

3/8" Drill Bit

Tape Measure

Level

C - Clamps

6' Step Ladder

Framing/Speed  
Square

### First...

- Check with your homeowner's association before assembling.
- Read instructions thoroughly before you begin. If you have purchased accessories to accompany this play set, please read all installation instructions before beginning assembly of this structure.

### Check All Parts

- If a part is missing, circle the part in question and call.

### Important

- In a drawing, a dotted line represents a part hidden from view (like a part under a panel).

### Adult Assistance required

- Assistance is necessary to handle, fit and secure some components.

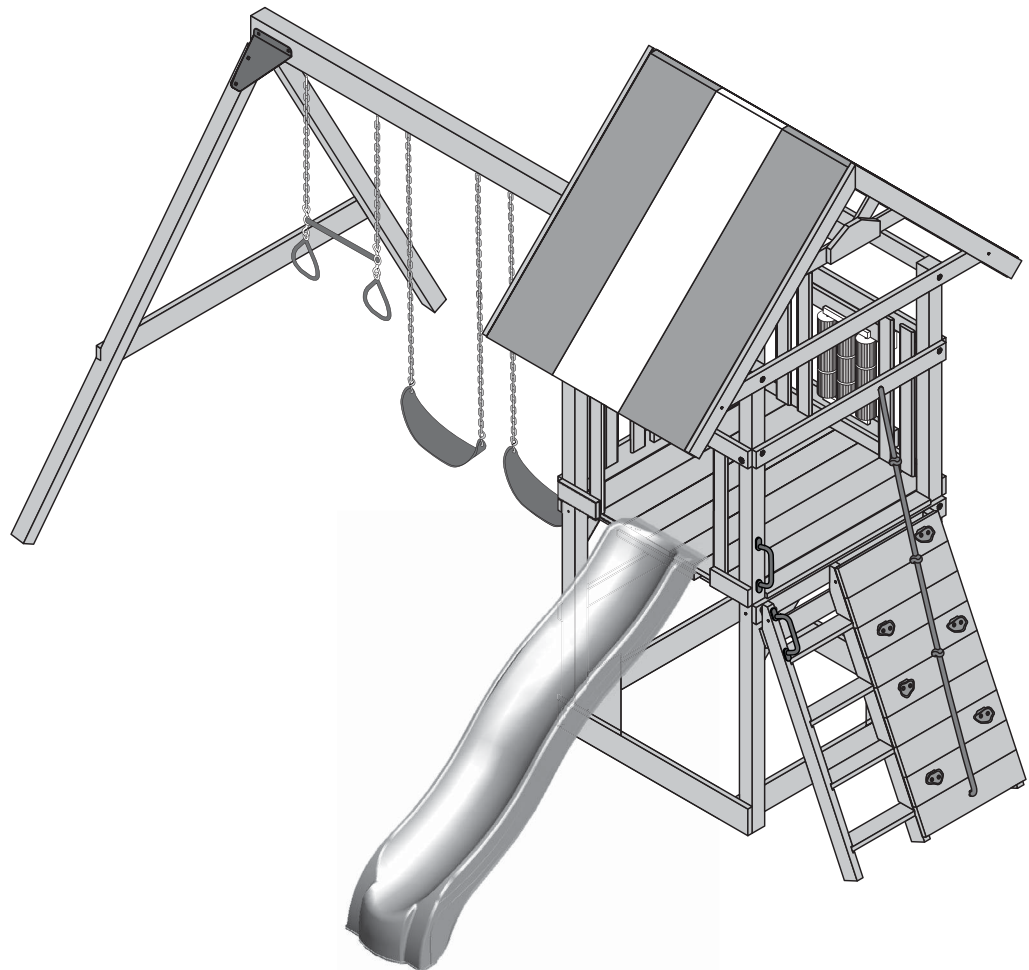
### Squareness is very Important!

Start with a level surface and keep 90° corners and 90° perpendiculars throughout the assembly to ensure all components fit together.

### Safety!

- Check for protruding screws and bolts, verify all screw and bolt lengths during assembly.

**Always wear OSHA-APPROVED safety glasses throughout assembly process.**



## - NOTICE -

**This playset product is not intended for public use. It is intended for residential application and is not warranted for public or commercial use.**

Your premium playset is manufactured from wood which has many natural characteristics and blemishes that may be present in some of the pieces in your playset. These natural characteristics may include knots or minor cracks/splits. All individual parts have been cut to provide a smooth and safe surface. All parts have been inspected to assure we pack only the safest, most durable wood product. Any minor blemishes in your playset will not affect the strength, durability, or structural integrity of the finished product. Our limited warranty does not cover the imperfections not resulting in structural failure.

## ASSEMBLY SAFETY and HELPFUL HINTS

STOP!

**STOP!!!** Check all parts and hardware before beginning. If any parts are missing or damaged please circle and call the phone number listed.  
**DO NOT CONTACT THE STORE OR RETURN YOUR PLAYSET !**

STOP!

**KEEP THIS INSTALLATION MANUAL FOR FUTURE CARE AND MAINTENANCE REFERENCE.**

**To aid in making your playset assembly easier, here is a listing of some helpful hints.**

- Wear safety glasses during drilling, assembly of your playset.
- Children should not be allowed in the playset assembly and build area.
- Note the hole orientation on parts to avoid having to take parts apart later.
- Some steps require the assistance of two people to ensure proper assembly, safety during assembly, as well as preventing any damage to the playset.

STOP!

**\*IMPORTANT HARDWARE INFORMATION\***

STOP!



- All hex bolts and lag bolts require a lock washer or lock nut.
- To properly install lock nuts, two to three threads must protrude past the lock nut and be exposed once tightened.



- Due to wood characteristics and the manufacturing process hex bolts may protrude past a surface. If this condition occurs add additional supplied washers to eliminate bolt protrusion.
- To aid in proper assembly pound T-nuts into their respective hole prior to assembly
- Pound in T-nuts while the part is on the ground to ensure proper seating.
- Use a soft material under parts when pounding in T-nuts to ensure no scratching or de-facing of parts.



- Make sure all fasteners used are as specified. Using a fastener not specified in a particular application may result in too much thread exposure or not enough thread engagement.

## SAFETY WARNINGS

STOP!

Please read carefully. Observing the following statements and warnings reduces the likelihood of serious or fatal injury.

STOP!

- This playset has been designed for use by a maximum of eight occupants at one time having a combined weight of 1,200 pounds. (This weight does not include occupants in the sandbox area.)
- This playset is recommended for children (3) through (11) years of age.
- On-site adult supervision for children of all ages is recommended.
- Instruct children not to walk close to, in front of, behind, or between moving items.
- Instruct children not to twist swing chains or ropes or loop them over the top support bar since this may reduce the strength of the chain or rope.
- Instruct children to avoid swinging empty seats.
- Teach children to sit in the center of the swings with their full weight on the seats.
- Instruct children not to use the equipment in a manner other than intended.
- Instruct children not to get off equipment while it is in motion.
- Parents should dress children appropriately (examples would include the use of well-fitting shoes and the avoidance of ponchos, scarves, and other loose-fitting clothing that is potentially hazardous while using equipment).
- Instruct children not to climb when the equipment is wet. Slippery surfaces may cause a hazard.
- Verify that suspended climbing ropes, chain, or cable are secured at both ends.
- Verify that suspended climbing ropes, chain, or cable cannot be looped back on itself.
- Instruct children not to attach items to the playground equipment that are not specifically designed for use with the equipment, such as, but not limited to, jump ropes, clothesline, pet leashes, cables and chain as they may cause a strangulation hazard.
- Instruct children to remove their bike or other sports helmet before playing on the playground equipment.
- Instruct children to not walk or run up slides.
- Instruct children to not pick up slides or ramps as this may cause damage or breakage.
- Place the equipment on level ground not less than six (6) feet from any obstructions. Be sure to look overhead for any obstructions above the playset.
- Do not use the equipment until fully erected per this playset instruction manual, bolts tightened and the playset is anchored to the ground.

### NOTICE:

**This playset product is not intended for public use. It is intended for residential application and is not warranted for public or commercial use.**

# MAINTENANCE

**STOP!**

**Periodic maintenance is required to ensure safe enjoyment of your playset and optional accessories.**

**STOP!**

**Observing the following procedures reduces the likelihood of serious or fatal injury.**



**Activity on your playset and optional accessories may loosen fasteners. Check all lock nuts, hex and lag bolts, quick clips, spring clips, acorn nuts, wood screws, and swing hangers for tightness and tighten as required. T-nuts should be inspected for full and proper seating into the wood.**

- Checking, splitting and surface cracking are characteristics of all wooden playsets. This is caused by varying seasonal temperatures and moisture conditions. To minimize this checking and/or cracking you may coat your playset with a water repellent.

## PLAYSET CHECKLIST

### At the beginning of each play season:

- Tighten all hardware.
- Lubricate all metallic moving parts per manufacturer's instructions.
- Check all protective coverings on bolts, pipes, edges, and corners. Replace if they are loose, cracked, or missing.
- Check all moving parts including swing seats, ropes, cables, and chains for wear, rust, or other deterioration. Replace as needed.
- Check metal parts for rust. If found, sand and repaint using a nonleaded-based paint meeting the requirements of 16 CFR 1303.
- Check all wood members for deterioration and splinters. Sand down splinters and replace deteriorating wood members.
- Reinstall any plastic parts, such as swing seats or any other items that were removed for the cold season.
- Rake and check depth of loose fill protective surfacing materials to prevent compaction and to maintain appropriate depth. Replace as necessary.

### Twice a month during play season:

- Tighten all hardware.
- Check all protective coverings on bolts, pipes, edges, and corners. Replace if they are loose, cracked, or missing.
- Rake and check depth of loose fill protective surfacing materials to prevent compaction and to maintain appropriate depth. Replace as necessary.

### Once a month during play season:

- Lubricate all metallic moving parts per manufacturer's instructions.
- Check all moving parts including swing seats, ropes, cables, and chains for wear, rust, or other deterioration. Replace as needed.
- At the end of each play season or when the temperature drops below 10°F remove plastic swing seats, tents, sandbox cover, tire swing, slide and other items as specified by the manufacturer and take indoors or do not use.
- Rake and check depth of loose fill protective surfacing materials to prevent compaction and to maintain appropriate depth. Replace as necessary.

**When you are ready to dispose of your playset, make sure that all metal, plastic and wood components are disposed of in accordance with local waste ordinances.**

**Buyer and/or owner should disassemble and dispose of the playground equipment in such a way that no unreasonable hazards will exist at the time the swing set is discarded.**

# PLAYGROUND SURFACING MATERIALS

## SECTION 4 OF THE CONSUMER PRODUCT SAFETY COMMISSION'S OUTDOOR HOME PLAYGROUND SAFETY HANDBOOK<sup>9</sup>

### Select Protective Surfacing

One of the most important things you can do to reduce the likelihood of serious head injuries is to install shock-absorbing protective surfacing under and around your play equipment. The protective surfacing should be applied to a depth that is suitable for the equipment height in accordance with ASTM Specification F 1292. There are different types of surfacing to choose from; whichever product you select, follow these guidelines:

**NOTE:** Do not install home playground equipment over concrete, asphalt, or any other hard surface. A fall onto a hard surface can result in serious injury to the equipment user. Grass and dirt are not considered protective surfacing because wear and environmental factors can reduce their shock absorbing effectiveness. Carpeting and thin mats are generally not adequate protective surfacing. Ground level equipment – such as a sandbox, activity wall, playhouse or other equipment that has no elevated play surface – does not need any protective surfacing.

### Loose-Fill Materials:

- Maintain a minimum depth of 9 inches of loose-fill materials such as wood mulch/chips, engineered wood fiber (EWF), or shredded/recycled rubber mulch for equipment up to 8 feet high; and 9 inches of sand or pea gravel for equipment up to 5 feet high. NOTE: An initial fill level of 12 inches will compress to about a 9-inch depth of surfacing over time. The surfacing will also compact, displace, and settle, and should be periodically refilled to maintain at least a 9-inch depth.
- Use a minimum of 6 inches of protective surfacing for play equipment less than 4 feet in height. If maintained properly, this should be adequate. (At depths less than 6 inches, the protective material is too easily displaced or compacted.)
- Use containment, such as digging out around the perimeter and/or lining the perimeter with landscape edging. Don't forget to account for water drainage. U.S. Consumer Product Safety Commission, Washington, D.C., 20207 or call the toll-free hotline :1-800-638-2772
- Check and maintain the depth of the loose-fill surfacing material. To maintain the right amount of loose-fill materials, mark the correct level on play equipment support posts. That way you can easily see when to replenish and/or redistribute the surfacing.
- Do not** install loose fill surfacing over hard surfaces such as concrete or asphalt.

### Poured-In-Place Surfaces or Pre-Manufactured Rubber Tiles:

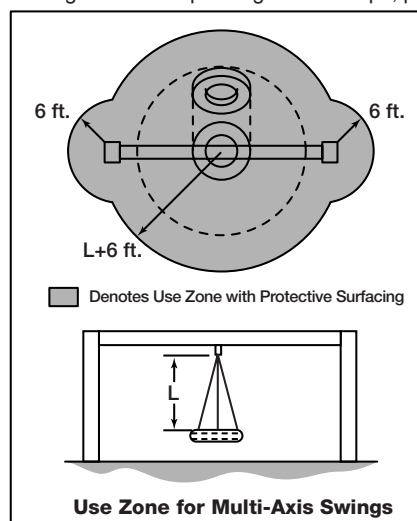
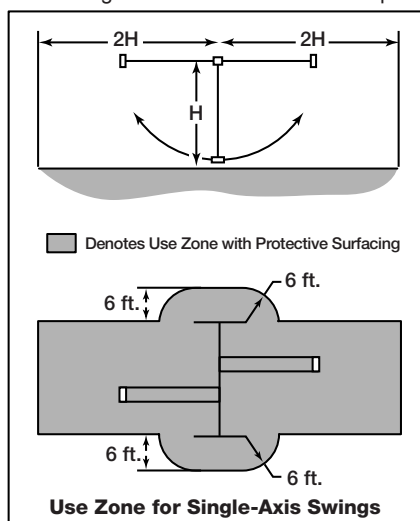
You may be interested in using surfacing other than loose-fill materials – like rubber tiles or poured-in-place surfaces.

- Installations of these surfaces generally require a professional and are not "do-it-yourself" projects.
- Review surface specifications before purchasing this type of surfacing. Ask the installer/manufacture for a report showing that the product has been tested to the following safety standard: ASTM F 1292 Standard Specification for Impact Attenuation of Surfacing Materials within the Use Zone of Playground Equipment. This report should show the specific height for which the surface is intended to protect against serious head injury. This height should be equal to or greater than the fall height – vertical distance between a designated play surface (elevated surface for standing, sitting, or climbing) and the protective surfacing below – of your play equipment.
- Check the protective surfacing frequently for wear.

### Placement

Proper placement and maintenance of protective surfacing is essential. Be sure to

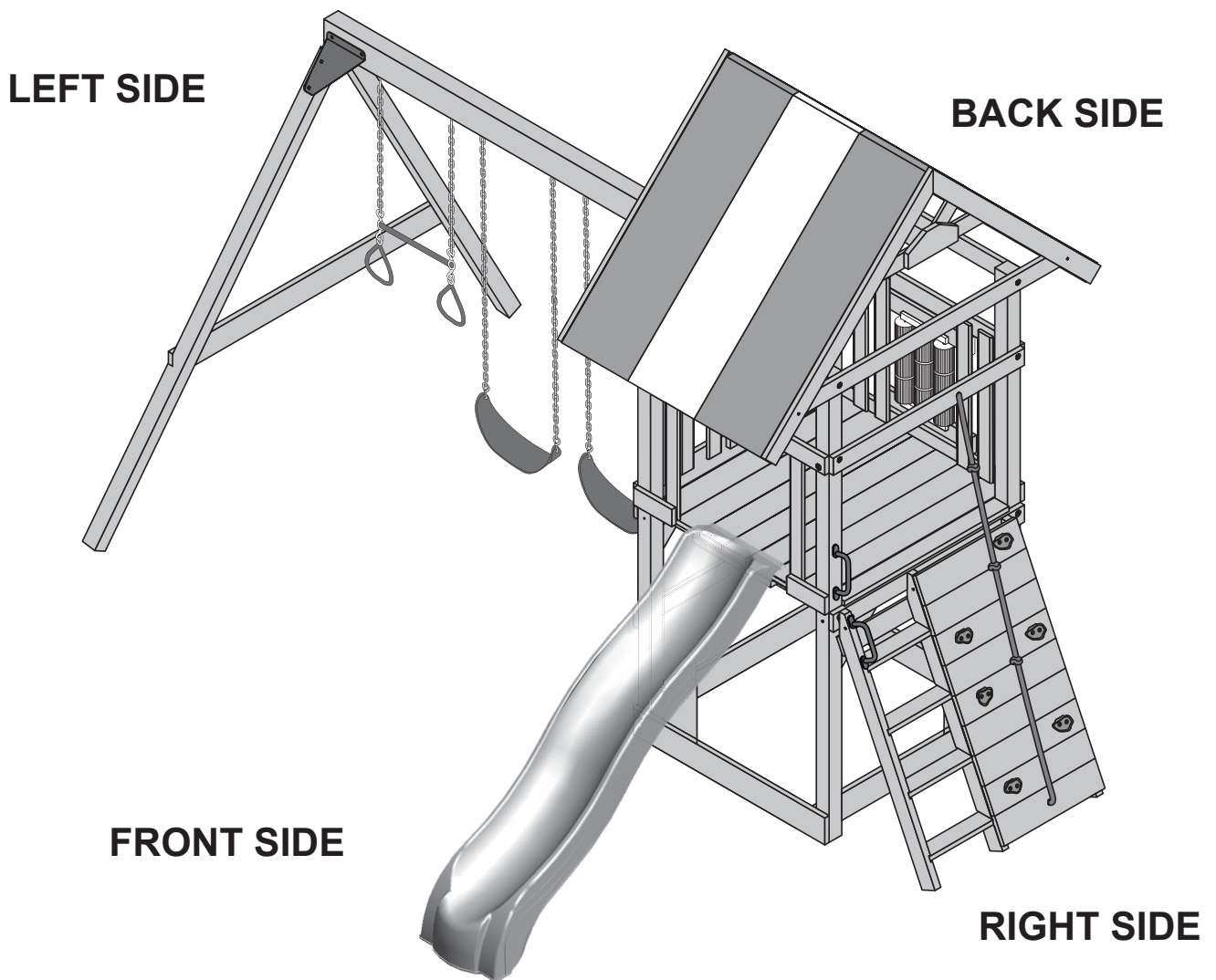
- Extend surfacing at least 6 feet from the equipment in all directions.
- For to-fro swings, extend protective surfacing in front of and behind the swing to a distance equal to twice the height of the top bar from which the swing is suspended.
- For tire swings, extend surfacing in a circle whose radius is equal to the height of the suspending chain or rope, plus 6 feet in all directions.



<sup>9</sup> This information has been extracted from the CPSC publications "Playground Surfacing—Technical Information Guide" and "Handbook for Public Playground Safety." Copies of these reports can be obtained by sending a postcard to the: Office of Public Affairs, U.S. Consumer Product Safety Commission, Washington, D.C., 20207 or call the toll-free hotline: 1-800-638-2772

**\*Hint\***

Throughout this manual references made to the *Left Side*, the *Right Side*, the *Front Side*, and the *Back Side* of the playset serve as a consistent reminder to help with assembly.





# IMPORTANT!

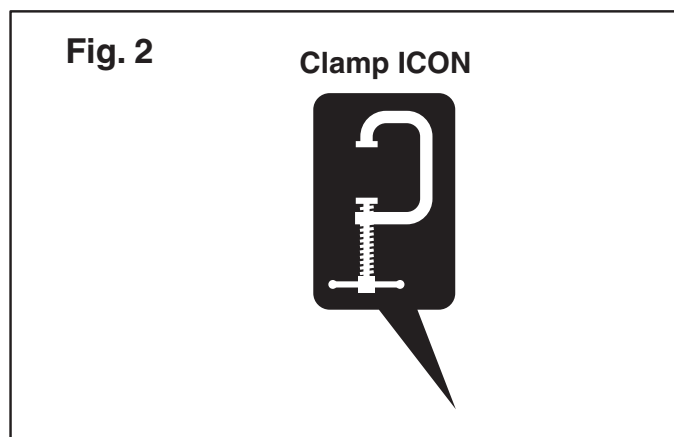
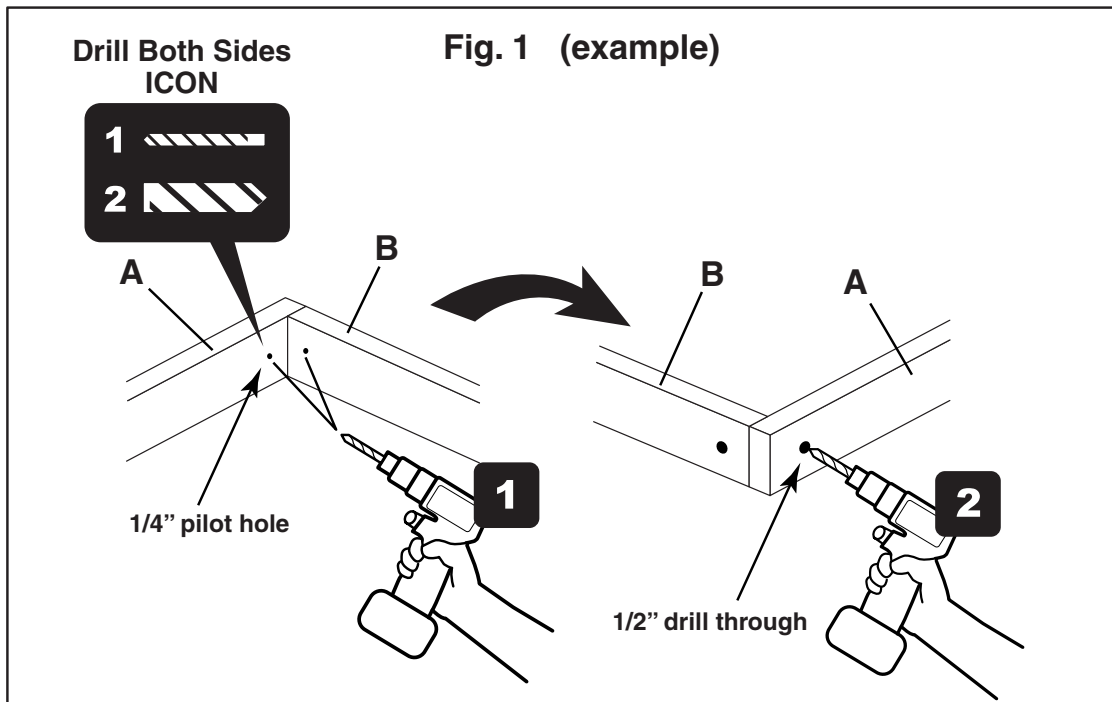
Use these Assembly Procedure Hints throughout the installation process.



1. All Lag Bolts must have pre-drilled holes. Use a 1/4" drill bit for all 3/8" Lag Bolts. Use a 3/16" drill bit for all 5/16" Lag Bolts. Pre-drilling pilot holes will help prevent Screws and Lag Bolts from breaking and wood from splitting during assembly.

## DO NOT OVER-TIGHTEN LAG BOLTS

2. In areas where drilling a larger 1/2" hole is necessary, such as when installing T-Nuts, (Fig. 1) the recommended procedure is to first drill-through a 1/4" pilot hole from the Hex Bolt side and then drill the larger 1/2" hole from the opposite T-Nut side. This will help avoid splintering the wood. The "**Drill Both Sides ICON**" (Fig. 1) will remind you to drill according to this procedure. Be sure to clean through-holes of debris before inserting Hex Bolts.
3. When assembling parts that are difficult to hold in position while pre-drilling pilot holes or assembling, use a clamp to keep parts aligned or in position. The "**Clamp ICON**" (Fig. 2) will advise you to use this procedure.



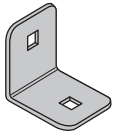
# WOOD PARTS LIST

WOOD PARTS

<p>5/4 x 4 x 45-1/8"</p> <p><b>2526-ST</b> x1</p>	<p>5/4 x 4 x 45-1/8"</p> <p><b>2501-ST</b> x9</p>	<p>5/8 x 3-1/4 x 10"</p> <p><b>2513-ST</b> x4</p>	<p><b>WOOD SIZE CONVERSION CHART</b></p> <table border="1"> <thead> <tr> <th>Nominal Board Size</th> <th>Actual Size</th> </tr> </thead> <tbody> <tr> <td>1" x 4"</td> <td>3/4" x 3-3/8"</td> </tr> <tr> <td>1" x 6"</td> <td>3/4" x 5-3/8"</td> </tr> <tr> <td>5/4" x 4"</td> <td>1" x 3-1/2"</td> </tr> <tr> <td>5/4" x 6"</td> <td>1" x 5-1/2"</td> </tr> <tr> <td>2" x 4"</td> <td>1-3/8" x 3-3/8"</td> </tr> <tr> <td>2" x 6"</td> <td>1-3/8" x 5-3/8"</td> </tr> </tbody> </table>	Nominal Board Size	Actual Size	1" x 4"	3/4" x 3-3/8"	1" x 6"	3/4" x 5-3/8"	5/4" x 4"	1" x 3-1/2"	5/4" x 6"	1" x 5-1/2"	2" x 4"	1-3/8" x 3-3/8"	2" x 6"	1-3/8" x 5-3/8"
Nominal Board Size	Actual Size																
1" x 4"	3/4" x 3-3/8"																
1" x 6"	3/4" x 5-3/8"																
5/4" x 4"	1" x 3-1/2"																
5/4" x 6"	1" x 5-1/2"																
2" x 4"	1-3/8" x 3-3/8"																
2" x 6"	1-3/8" x 5-3/8"																
<p>2 x 4 x 47-1/8"</p> <p><b>2517-ST</b> x1</p>	<p>5/4 x 4 x 45-1/8"</p> <p><b>2516-ST</b> x1</p>	<p>5/4 x 6 x 23-3/4"</p> <p><b>2527-ST</b> x1</p>															
<p>5/4 x 4 x 47-1/8"</p> <p><b>2518-ST</b> x2</p>	<p>5/4 x 6 x 70-3/4"</p> <p><b>2506-ST</b> x1</p>	<p>5/4 x 6 x 23-3/4"</p> <p><b>2519-ST</b> x8</p>	<p>2 x 4 x 51"</p> <p><b>2521-ST</b> x1</p>														
<p>5/8 x 3-1/4 x 29-3/4"</p> <p><b>2523-ST</b> x12</p>	<p>2" x 4" x 47-3/4"</p> <p><b>2515-ST</b> x1</p>	<p>3 x 3 x 95"</p> <p><b>2525-W</b> x2</p>	<p>2 x 4 x 51"</p> <p><b>2522-ST</b> x1</p>														
<p>5/4 x 6 x 45-1/8"</p> <p><b>2507-ST</b> x3</p>	<p>4 x 4 x 45-1/8"</p> <p><b>2505-ST</b> x1</p>	<p>3 x 3 x 95"</p> <p><b>2503-W</b> x2</p>															
<p>1 x 3-1/2 x 22"</p> <p><b>2946-ST</b> x2</p>	<p>5/4 x 4 x 56"</p> <p><b>2504-ST</b> x4</p>	<p>3 x 3 x 95"</p> <p><b>2543-W</b> x2</p>															
<p>5/4 x 4 x 47"</p> <p><b>2539-ST</b> x1</p>	<p>2 x 4 x 51"</p> <p><b>2520-ST</b> x1</p>	<p>3-1/2 x 5-1/2 x 95"</p> <p><b>2752-W</b> x1</p>															
<p>5/8 x 3-1/4 x 35-3/4"</p> <p><b>2512-ST</b> x2</p>	<p>5/4 x 6 x 71-3/4"</p> <p><b>2508-ST</b> x1</p>	<p>2 x 4 x 16-3/8"</p> <p><b>2785-ST</b> x1</p>	<p>2 x 4 x 18"</p> <p><b>1020-ST</b> x4</p>														
<p>5/4 x 6 x 45"</p> <p><b>2509-ST</b> x7</p>	<p>5/4 x 4 x 71-3/4"</p> <p><b>2500-ST</b> x2</p>	<p>5/4 x 4 x 17"</p> <p><b>2222-ST</b> x1</p>	<p>1 x 1-3/8 x 17"</p> <p><b>1015</b> x7</p>														
<p>5/4 x 4 x 39"</p> <p><b>2510-ST</b> x2</p>	<p>5/4 x 4 x 58-1/2"</p> <p><b>2538-ST</b> x1</p>	<p>5/4 x 6 x 22-1/2"</p> <p><b>1120-ST</b> x2</p>	<p>5/4 x 4 x 15-3/8"</p> <p><b>2524-ST</b> x4</p>														
		<p>1 x 3-1/2 x 9"</p> <p><b>2947-ST</b> x2</p>	<p>5/4 x 6 x 11-3/4"</p> <p><b>2511-ST</b> x2</p>														

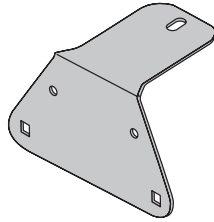
HARDWARE

90° Angle Bracket Plate



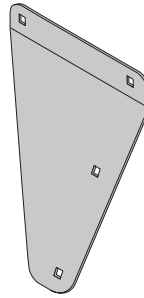
2485 x1

Swing Beam 90° Plate



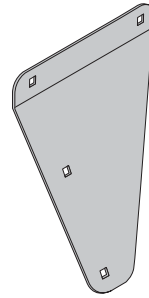
2449 x1

Swing Beam Angled Plate Left



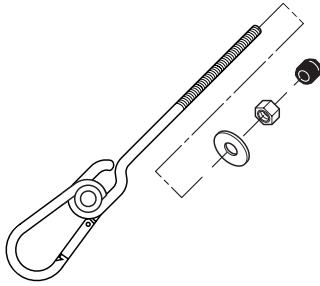
2448 x1

Swing Beam Angled Plate Right



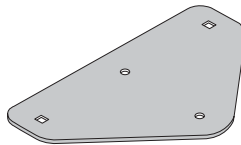
2447 x1

Swing Hanger



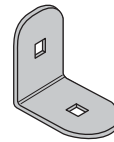
2631 x6

Swing Beam Flat Plate



2411 x1

L - Bracket



2412 x2

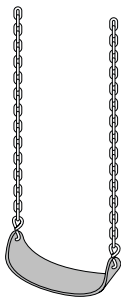
Slide



2654 x1

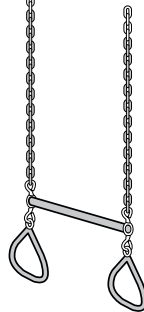
ACCESSORIES

Swing



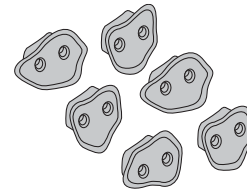
WS4885 x2

Trapeze



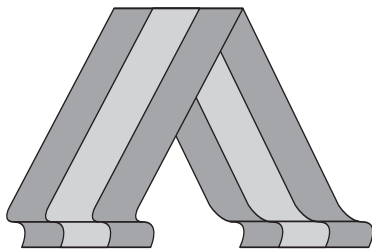
WS1501 x1

Climbing Rocks



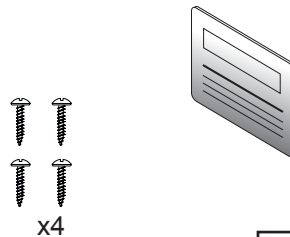
WS4545 x6

Tent Tarp



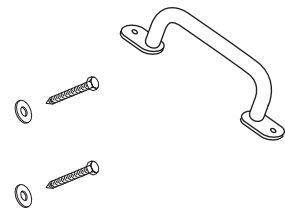
2410 x1

Plaque



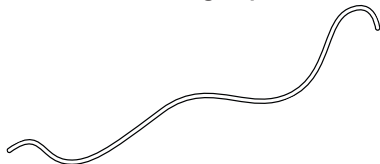
2167 x1

Safety Handle



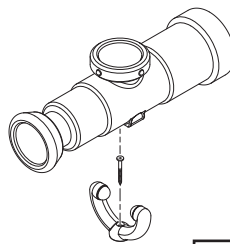
WS4410 x2

Climbing Rope



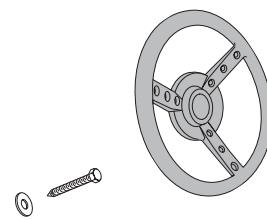
SA3097 x1

Telescope



WS4610 x1

Steering Wheel



WS4412 x1



**IMPORTANT!**

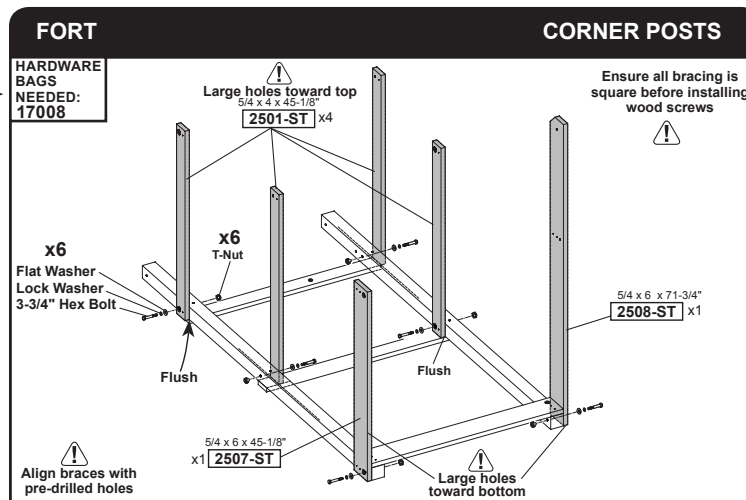


**Please arrange HARDWARE BAGS  
in numerical order.**

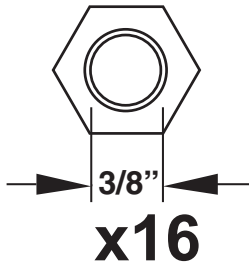
**Arranging the hardware bags will be  
helpful during assembly.**

**The numbered hardware bags will be  
referenced throughout this  
instruction manual.**

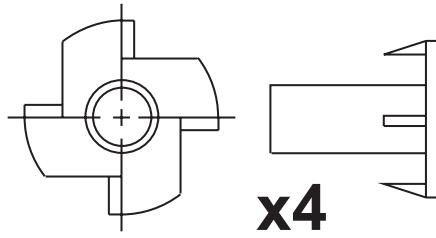
**EXAMPLE:**



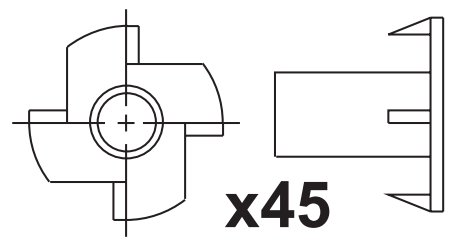
**3/8" LOCK NUT**



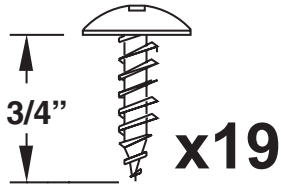
**5/16" T - NUT**



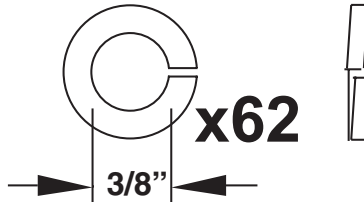
**3/8" T - NUT**



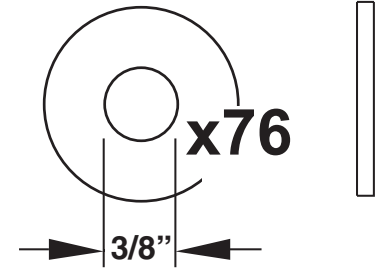
**TRUSS HEAD SCREW**



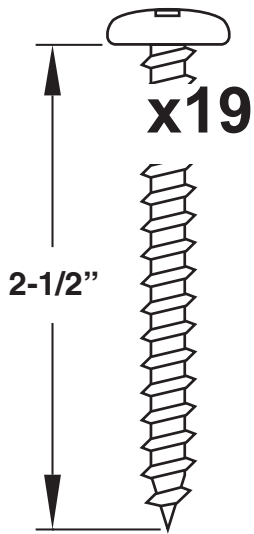
**3/8" LOCK WASHER**



**3/8" FLAT WASHER**



**2-1/2" PAN HEAD SCREW**



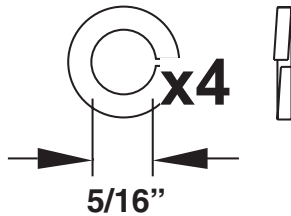
**1/4" x 3/4" FENDER WASHER**



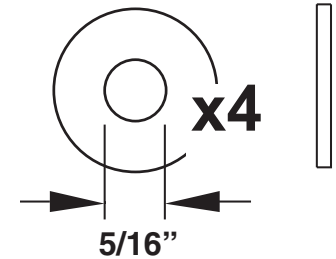
**3/16" x 1" FENDER WASHER**



**5/16" LOCK WASHER**

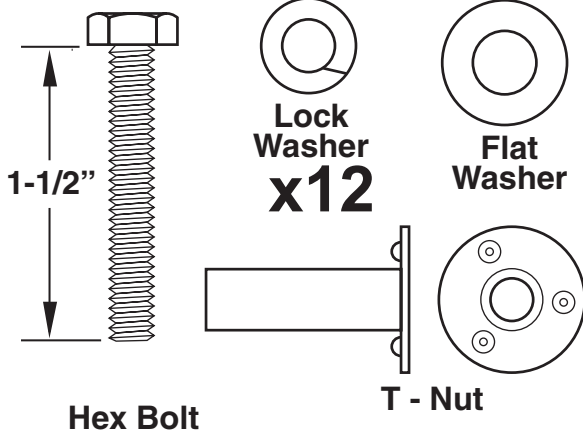


**5/16" FLAT WASHER**

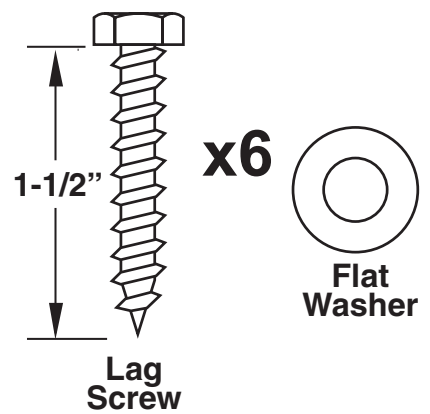


**2452 Bag**

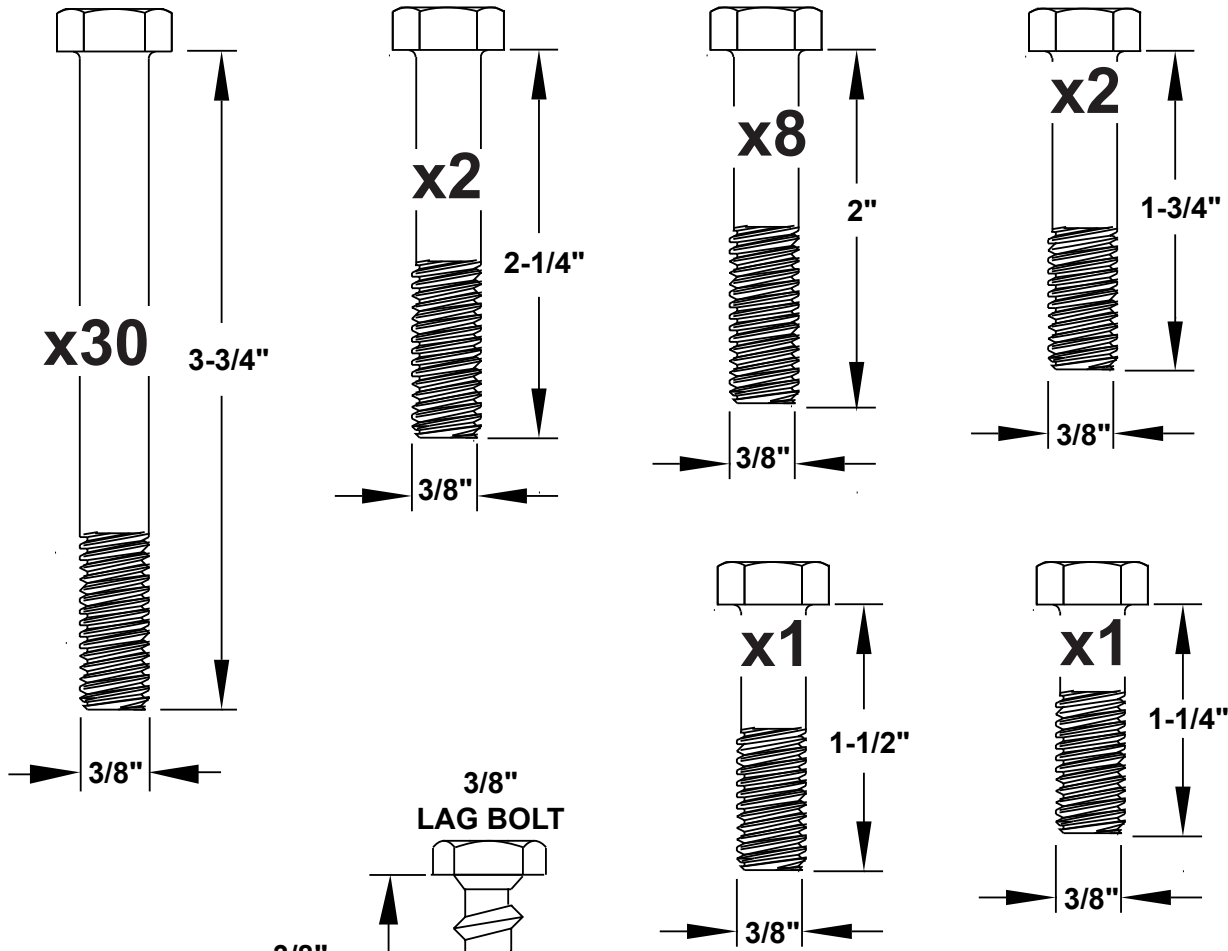
**1/4" ROCK WALL HARDWARE**



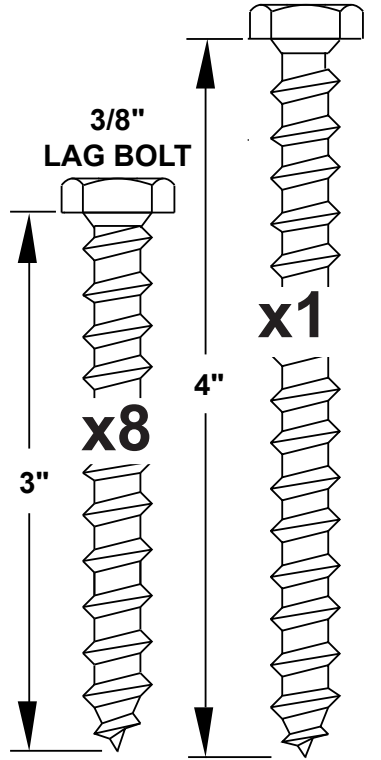
**1/4" SAFETY HANDLE HDW.**



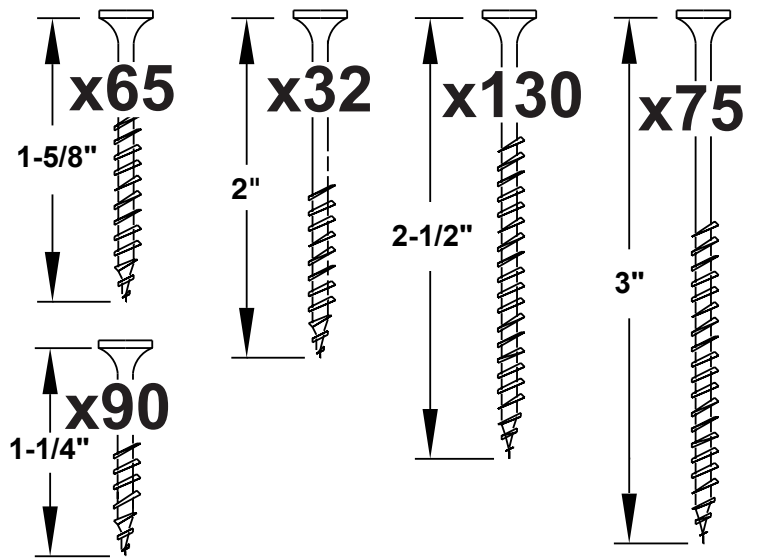
3/8" HEX HEAD BOLTS



3/8" LAG BOLT

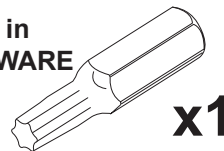


WOOD SCREWS

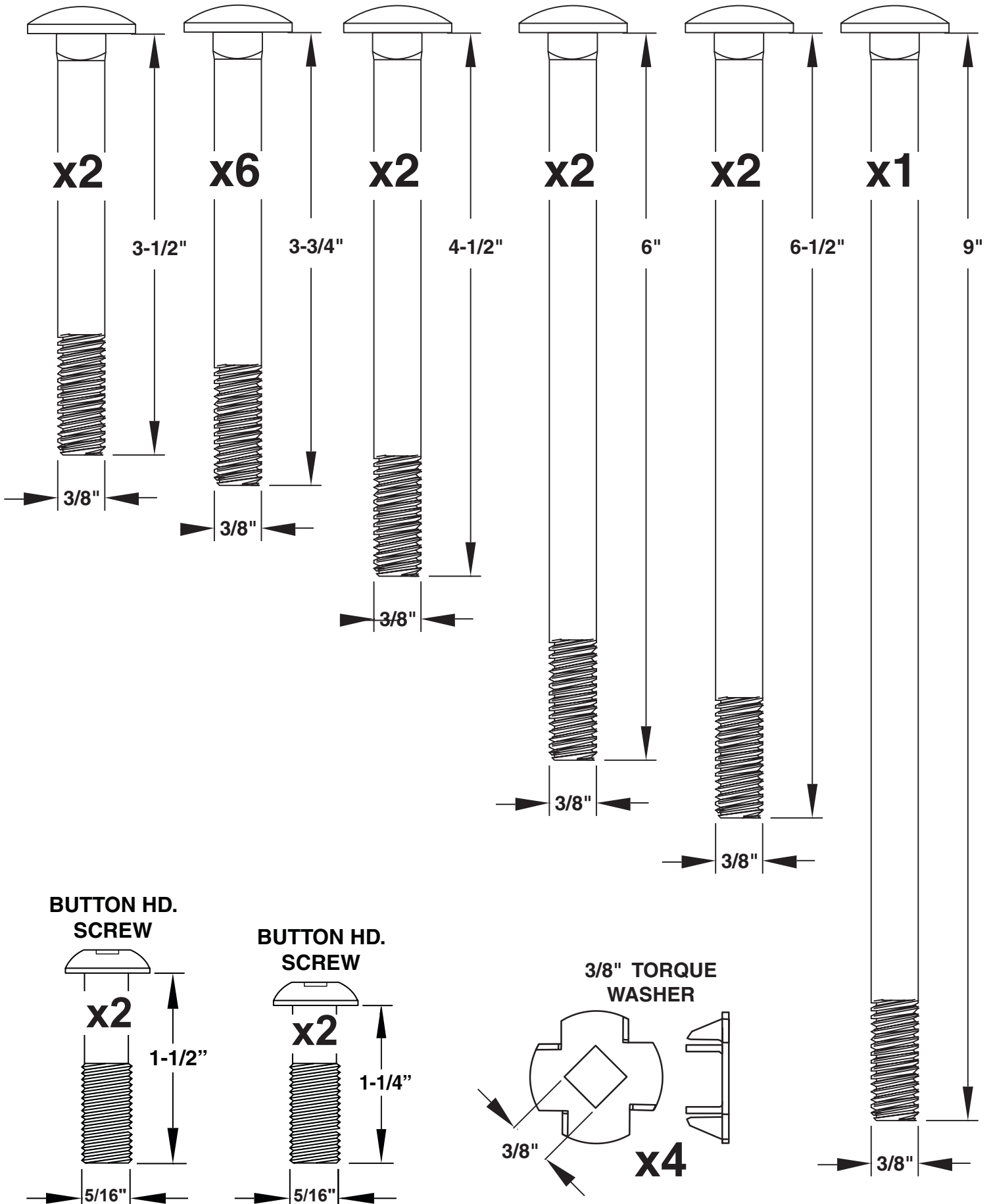


STAR DRIVE BIT

Found in  
HARDWARE  
BAG  
17003

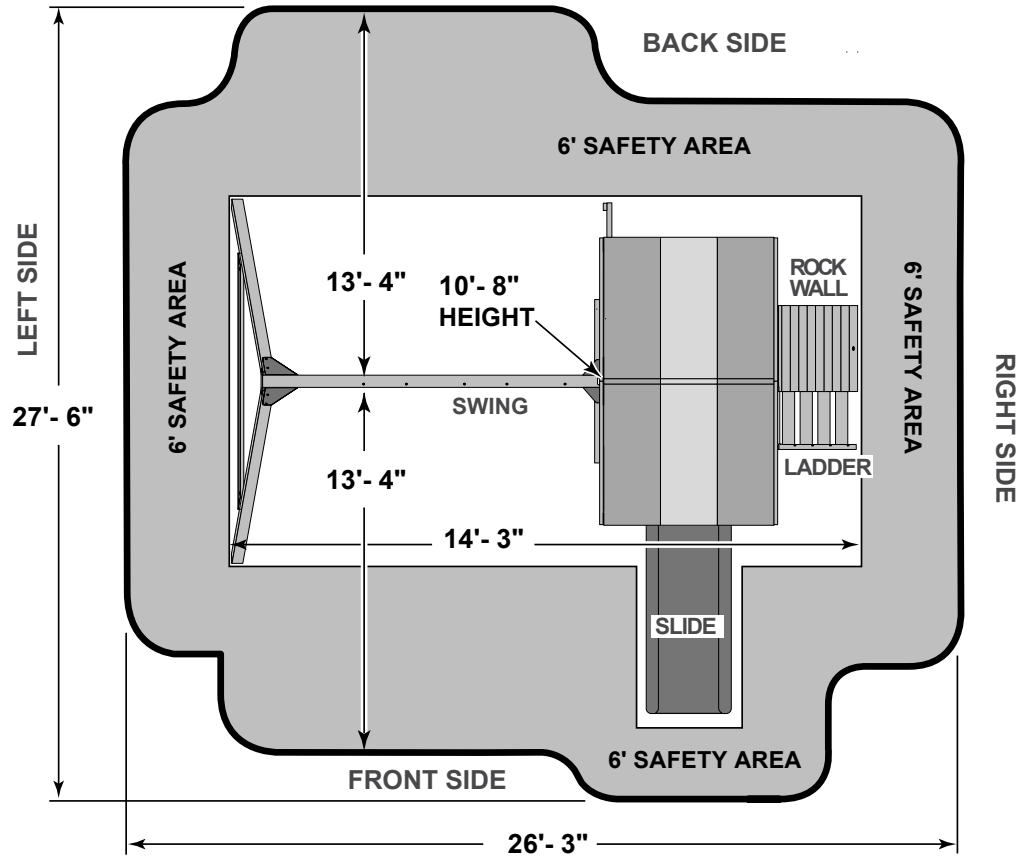


**x1**



# SET-UP

# SAFETY AREA

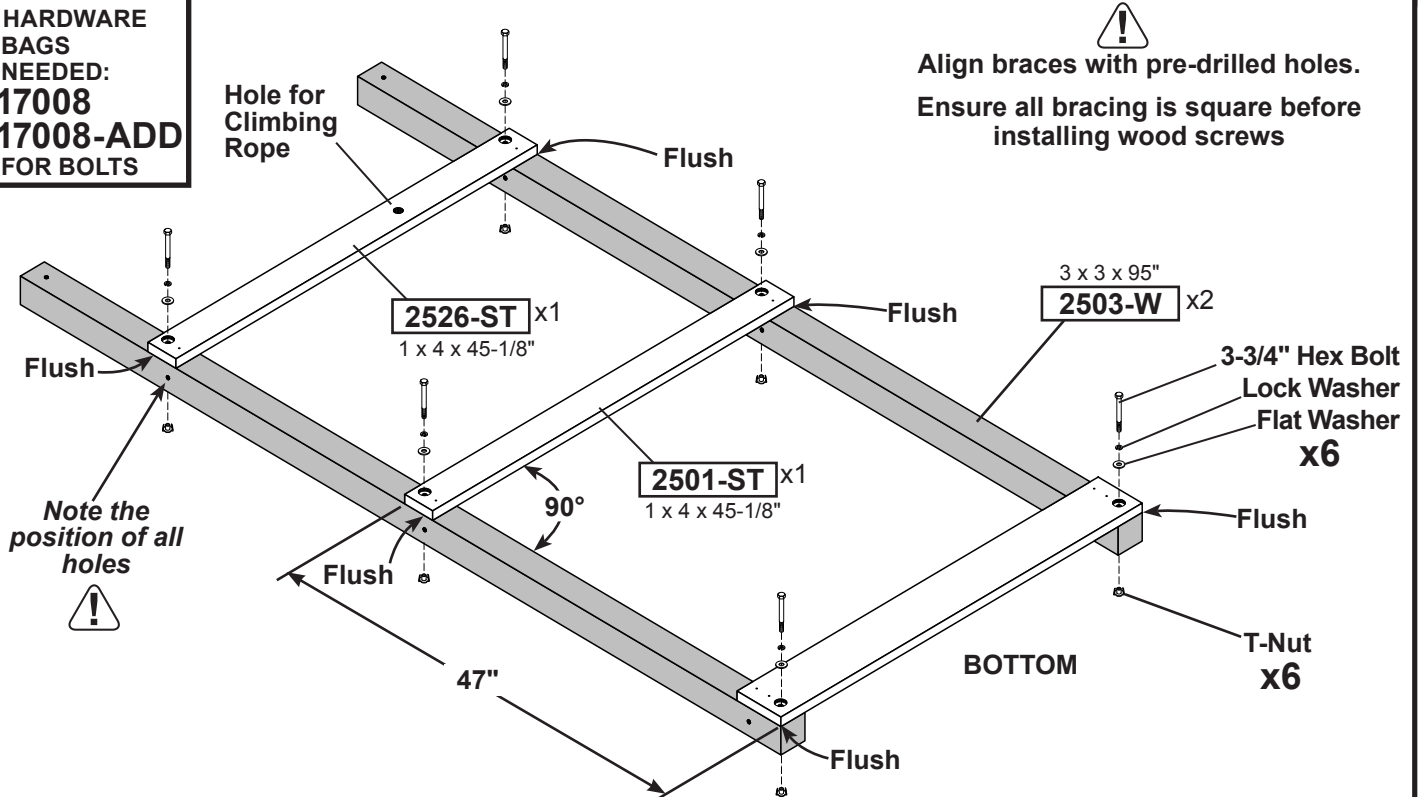


# FORT

# FRAME 1

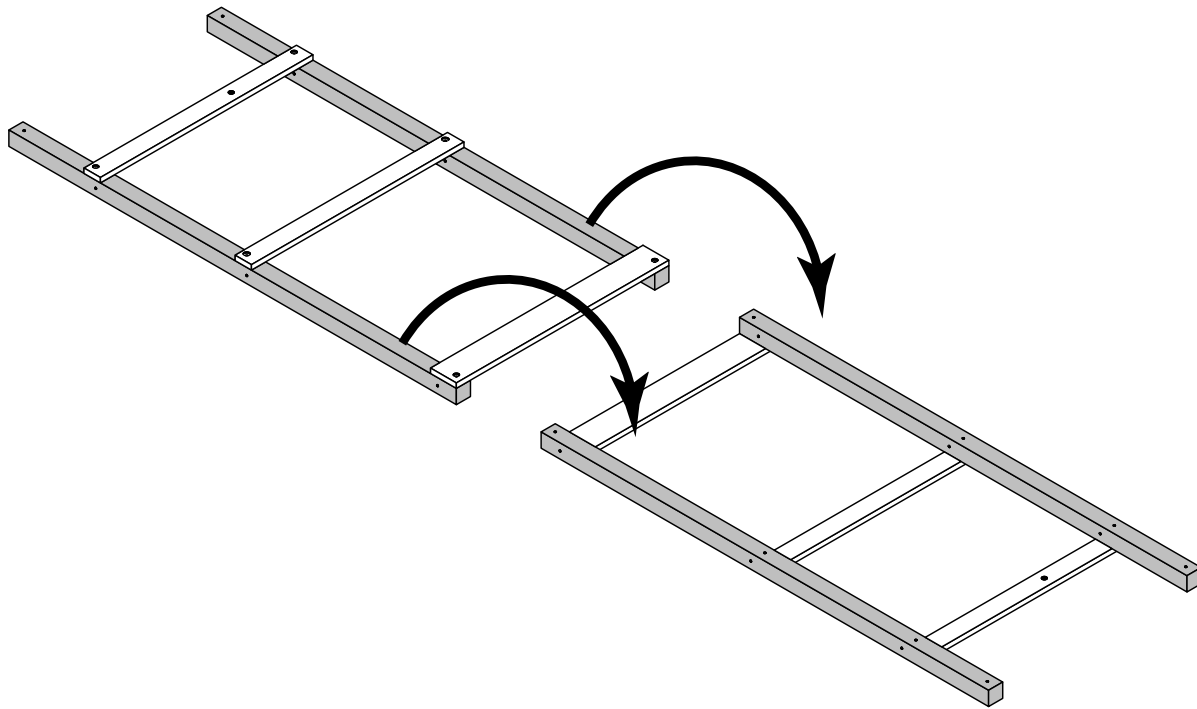
**HARDWARE BAGS NEEDED:**  
**17008**  
**17008-ADD**  
**FOR BOLTS**

**Align braces with pre-drilled holes.**  
**Ensure all bracing is square before installing wood screws**

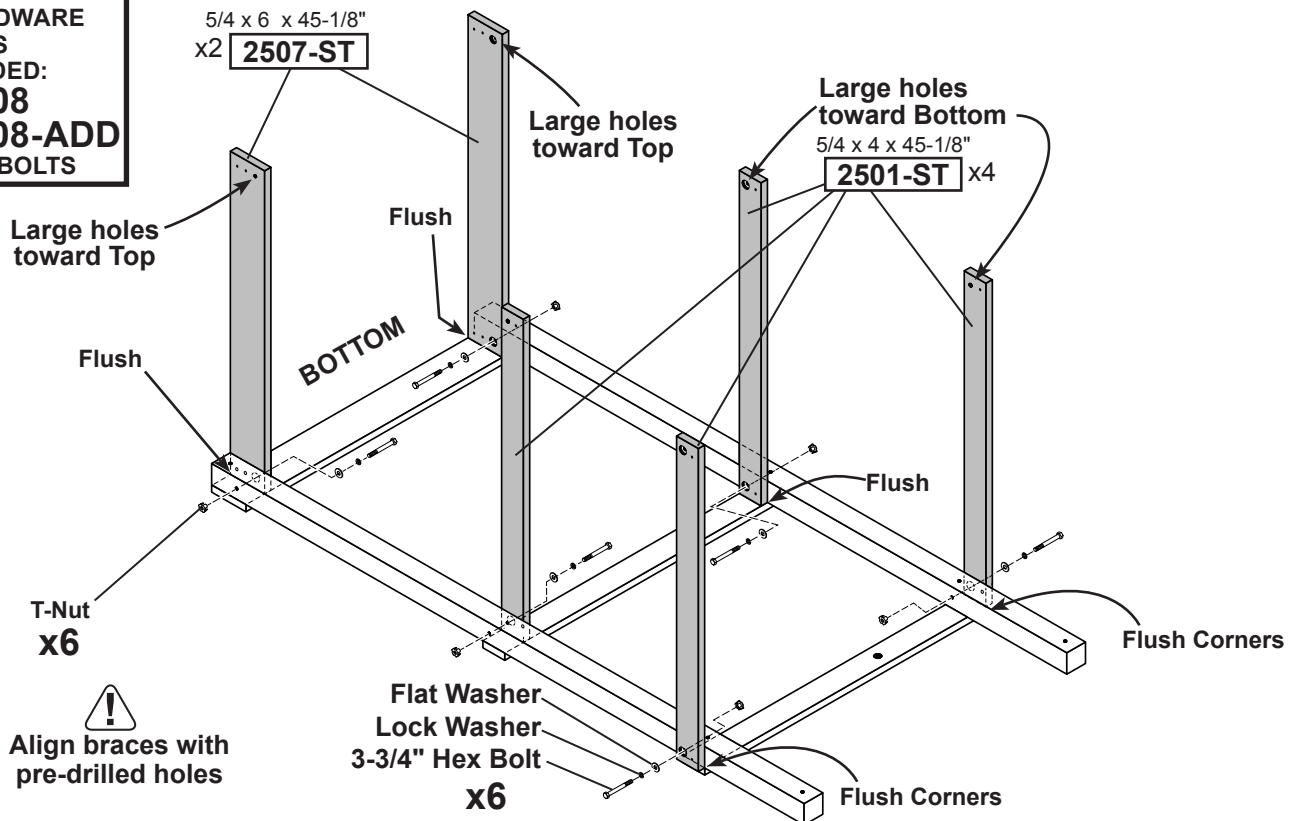




ROTATE FRAME 1 ASSEMBLY, AS SHOWN



**HARDWARE  
BAGS  
NEEDED:  
17008  
17008-ADD  
FOR BOLTS**



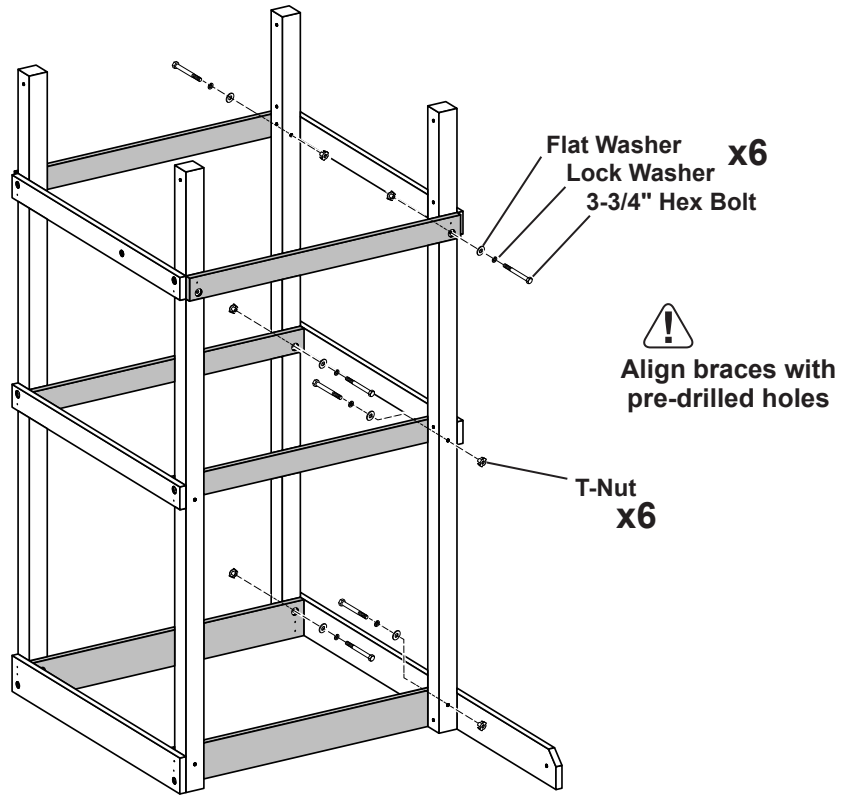
**!**  
Align braces with  
pre-drilled holes



# FORT

# FRAME ASSEMBLY

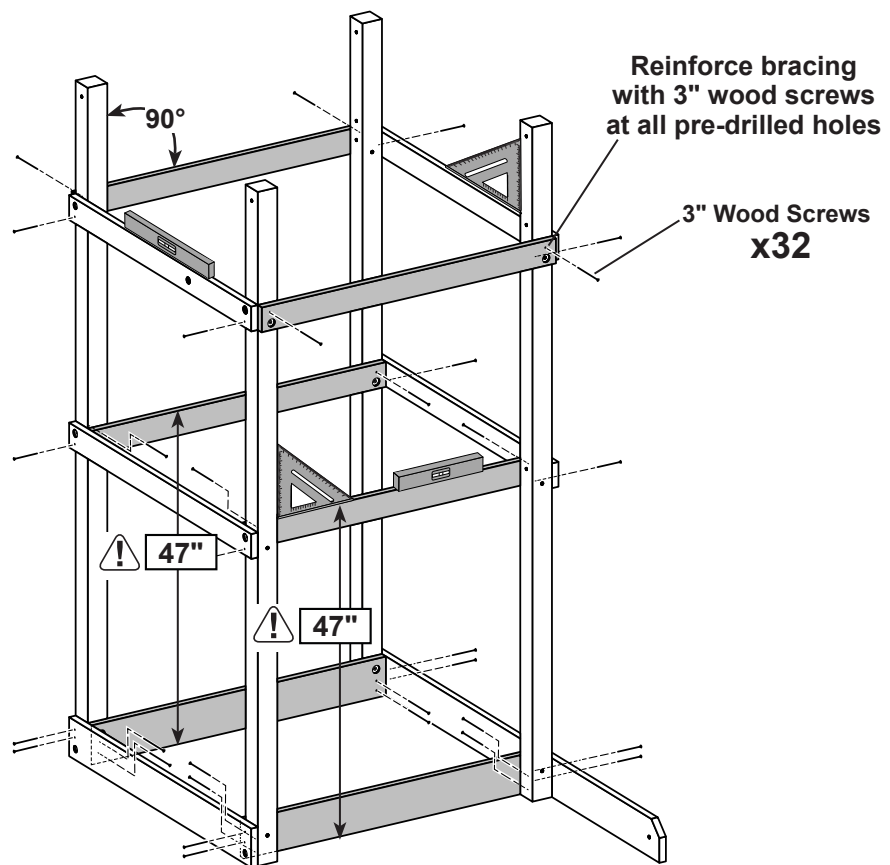
HARDWARE  
BAGS  
NEEDED:  
**17008**  
**17008-ADD**  
FOR BOLTS



# FORT

# FRAME ASSEMBLY

HARDWARE  
BAGS  
NEEDED:  
**17005**

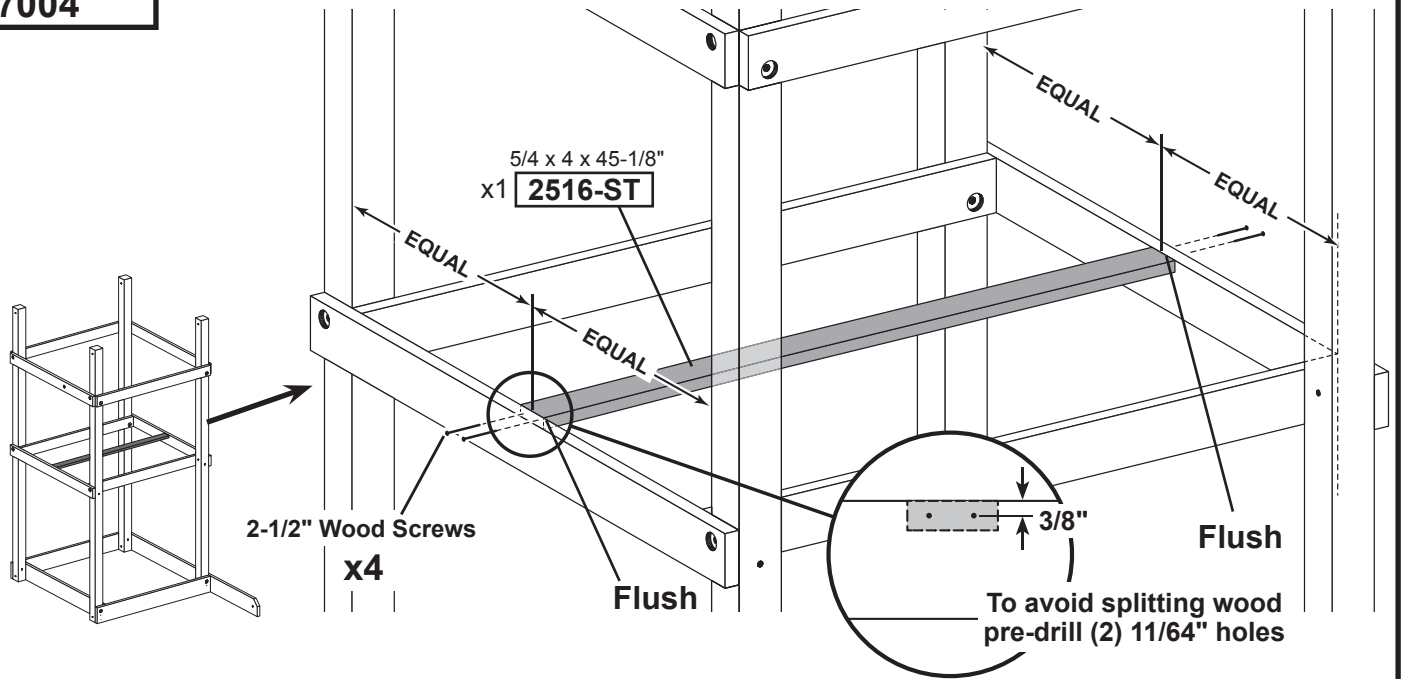


! Ensure 47" measurement from bottom of base to top of first deck

# FORT

# DECK CLEAT

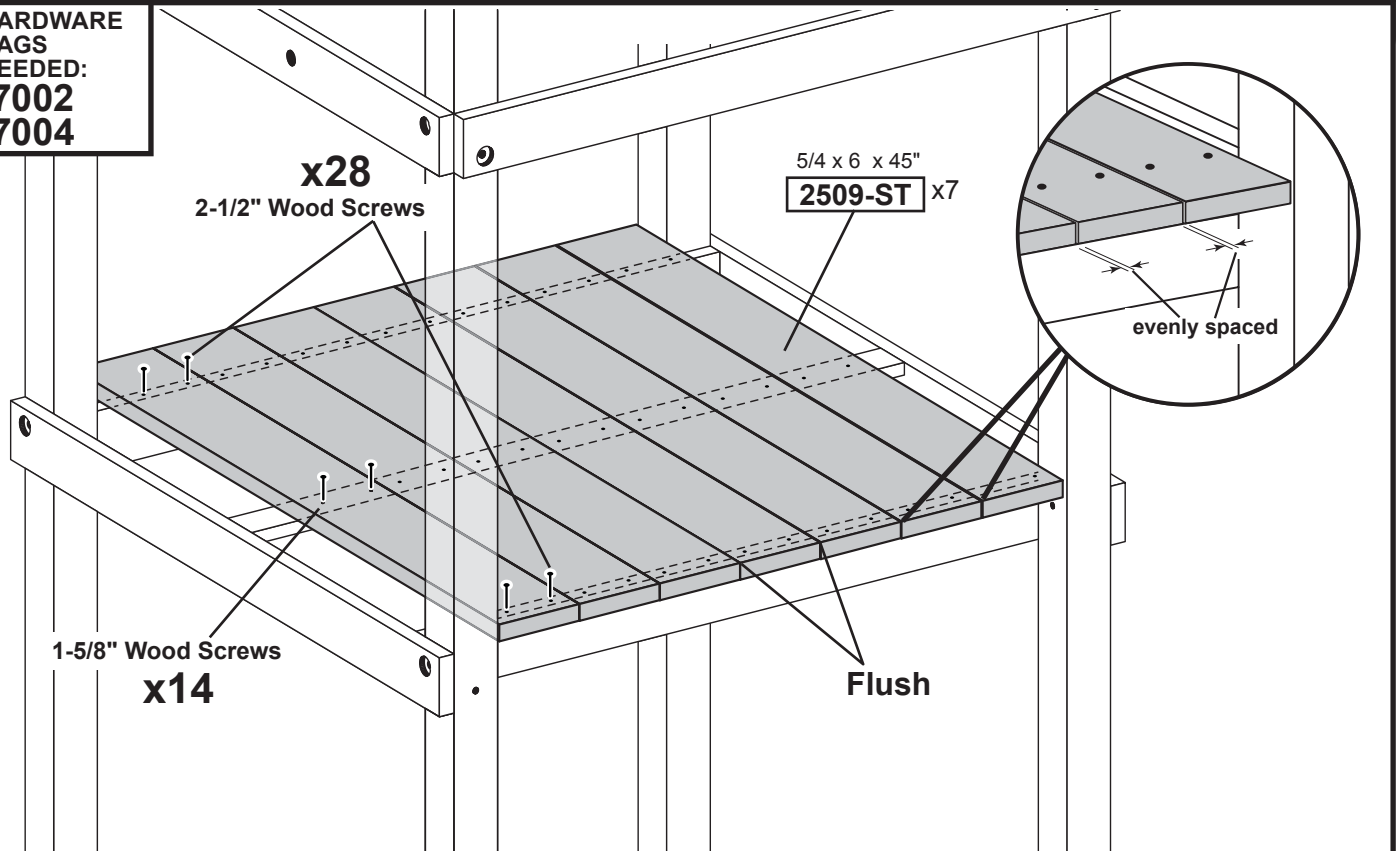
HARDWARE  
BAGS  
NEEDED:  
**17004**



# FORT

# DECK PLANKS

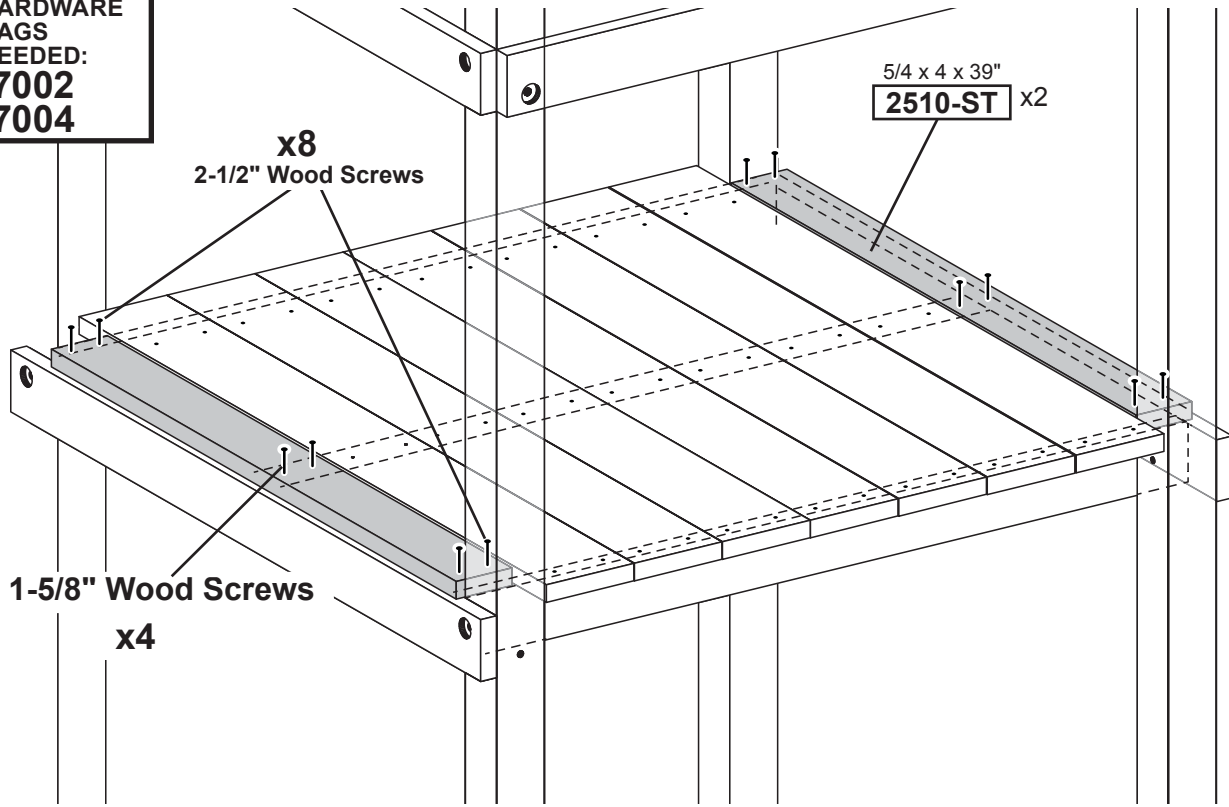
HARDWARE  
BAGS  
NEEDED:  
**17002**  
**17004**



# FORT

# DECK PLANKS

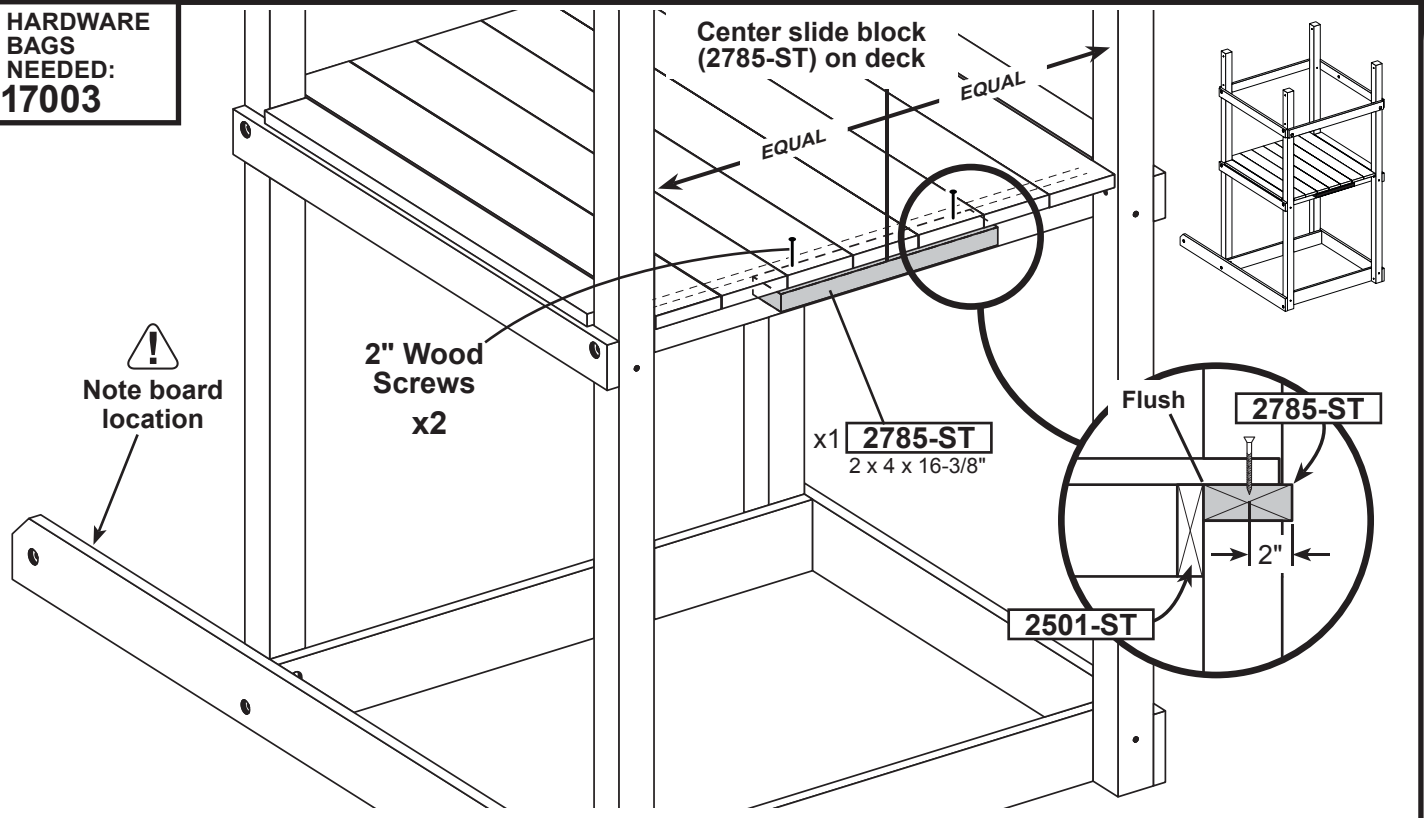
HARDWARE  
BAGS  
NEEDED:  
**17002**  
**17004**



# SLIDE

# SLIDE BLOCK

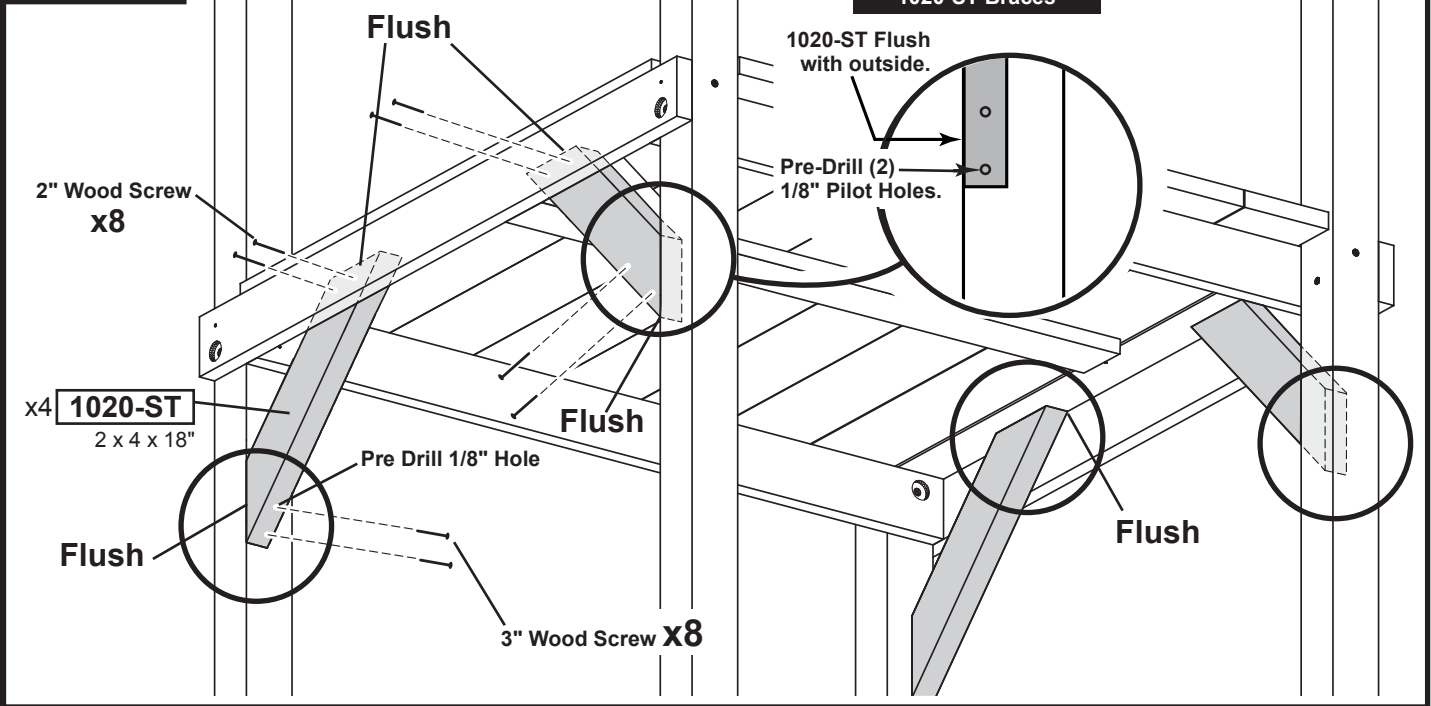
HARDWARE  
BAGS  
NEEDED:  
**17003**



# FORT

# DECK SUPPORT

**HARDWARE BAGS NEEDED:**  
**17003**  
**17005**

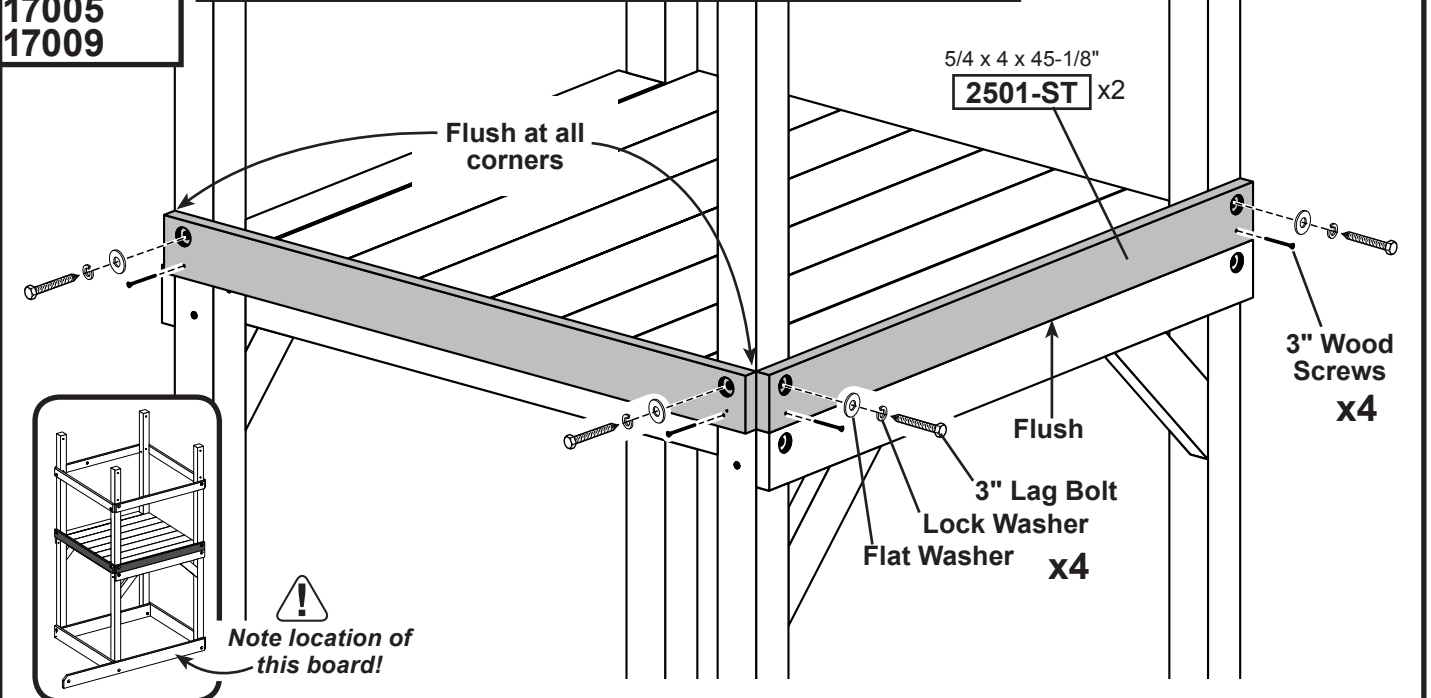


# FORT

# BALUSTER SUPPORTS

**HARDWARE BAGS NEEDED:**  
**17005**  
**17009**

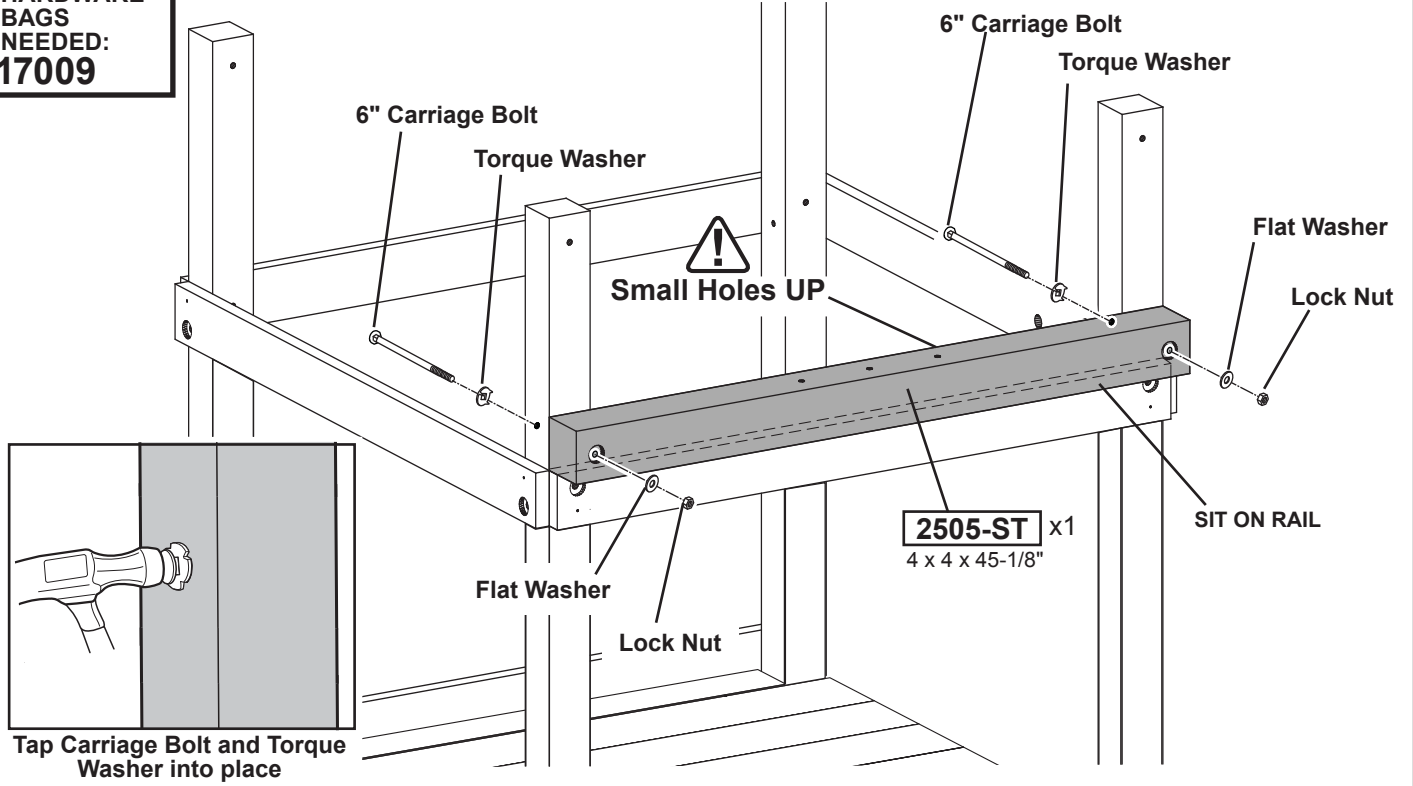
**! Mark and drill 1/4" x 2" - deep holes. Pre-drill before installing lag bolts.**



# FORT

# SWING BEAM SUPPORT

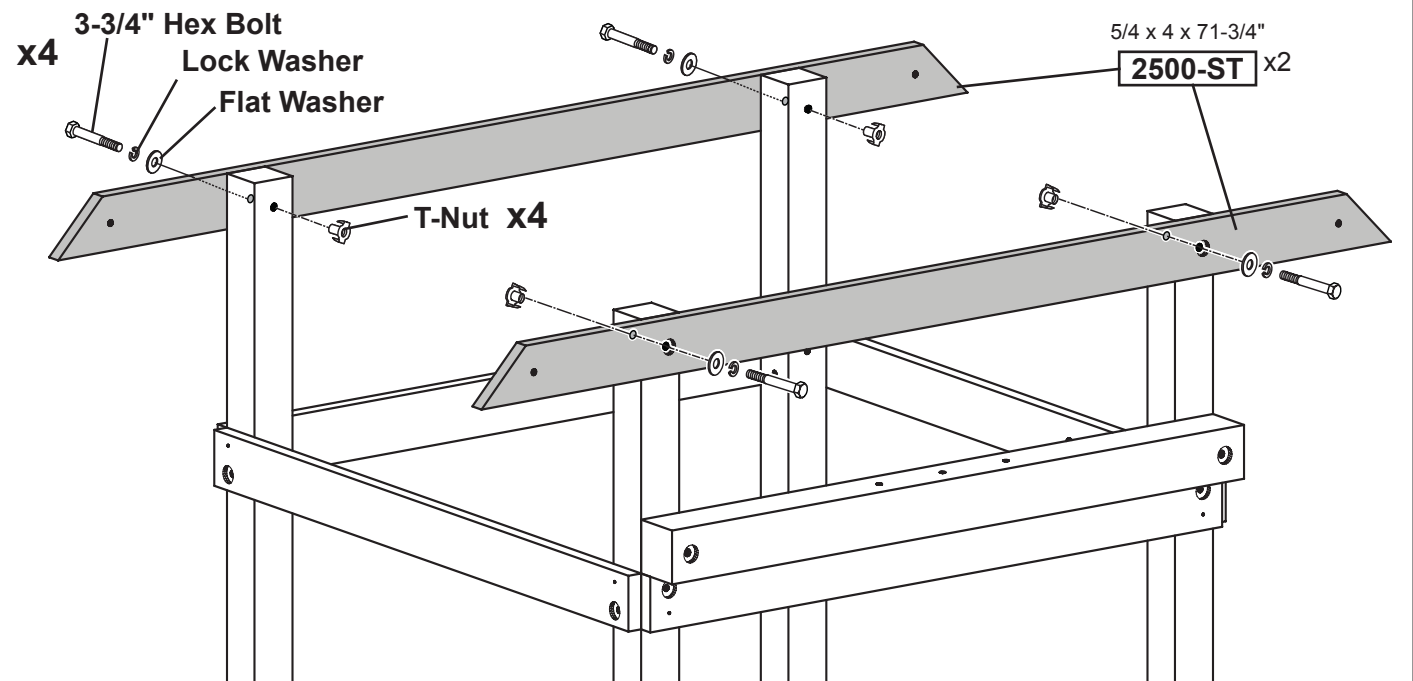
HARDWARE  
BAGS  
NEEDED:  
**17009**



# FORT

# TENT FRAMING

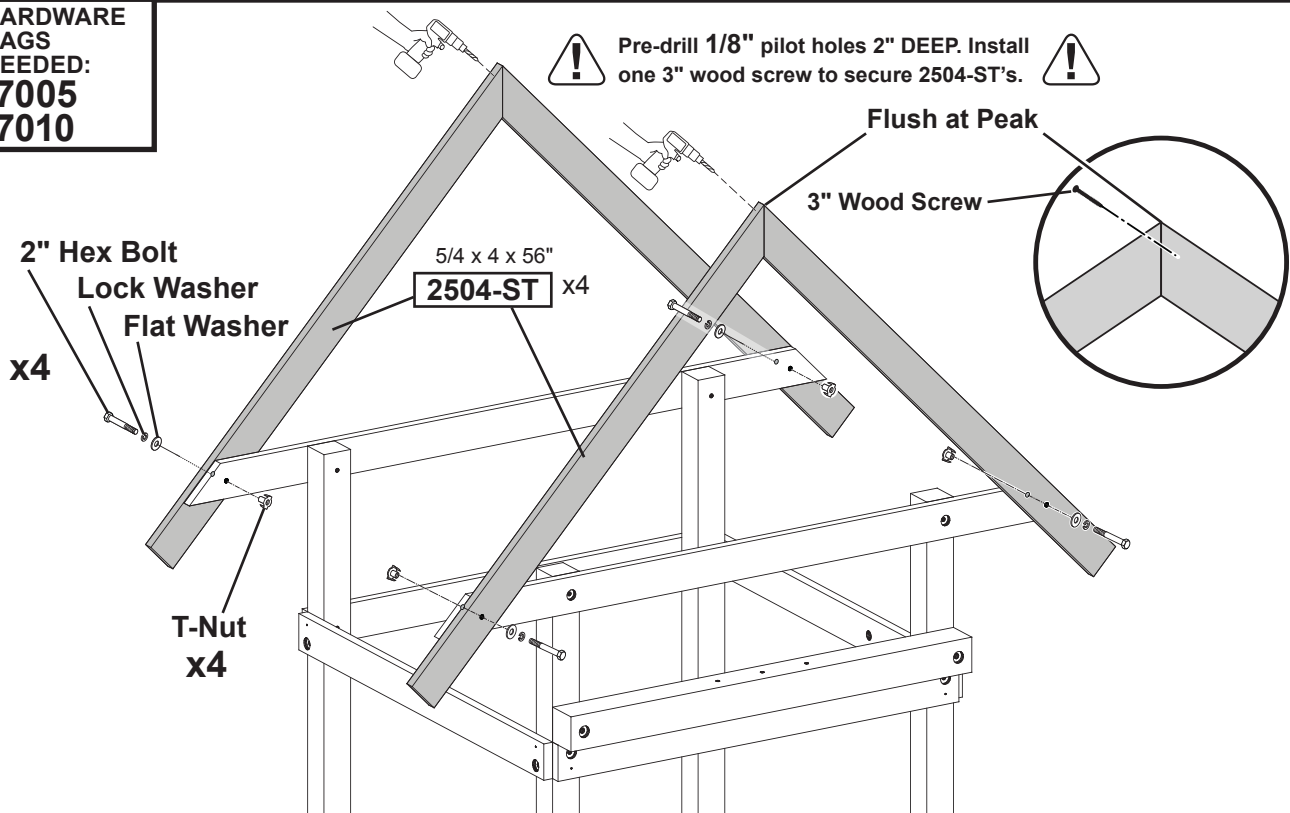
HARDWARE  
BAGS  
NEEDED:  
**17010**



# FORT

# TENT FRAMING

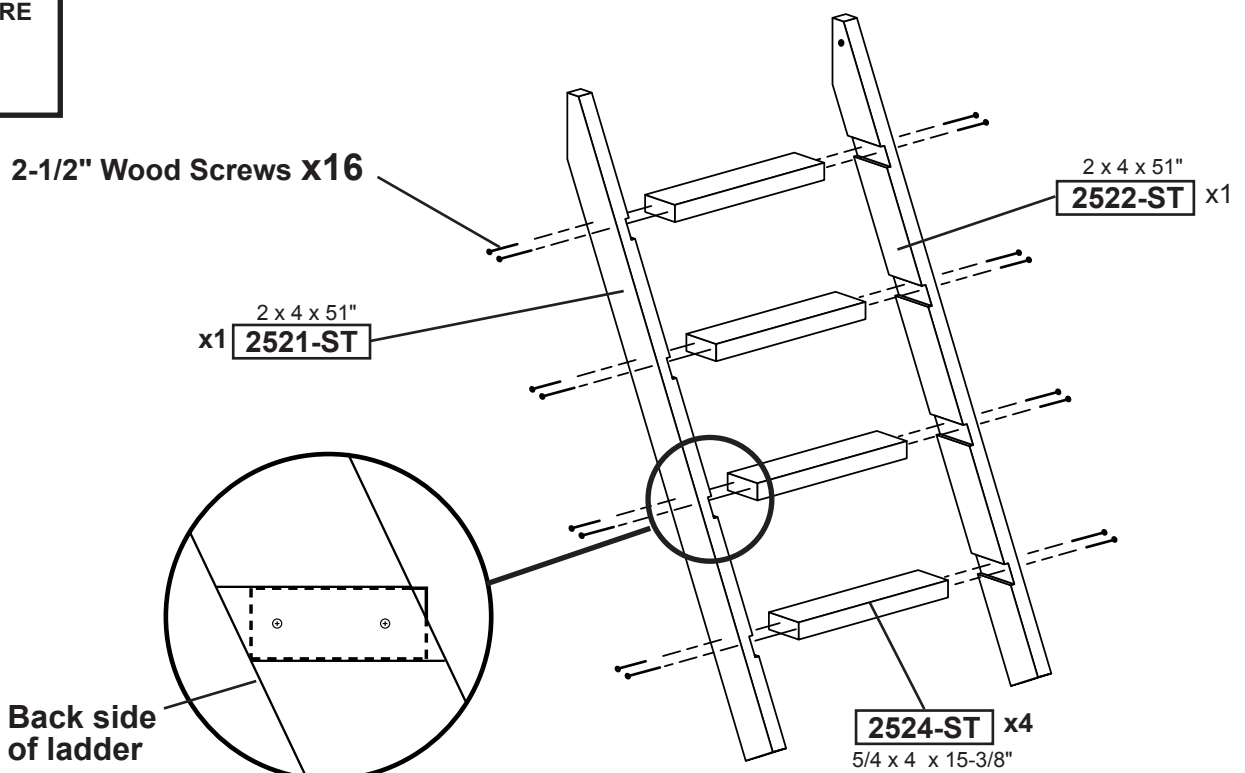
HARDWARE  
BAGS  
NEEDED:  
**17005**  
**17010**



# STEP LADDER

# ASSEMBLE

HARDWARE  
BAGS  
NEEDED:  
**17004**





# ROCK WALL

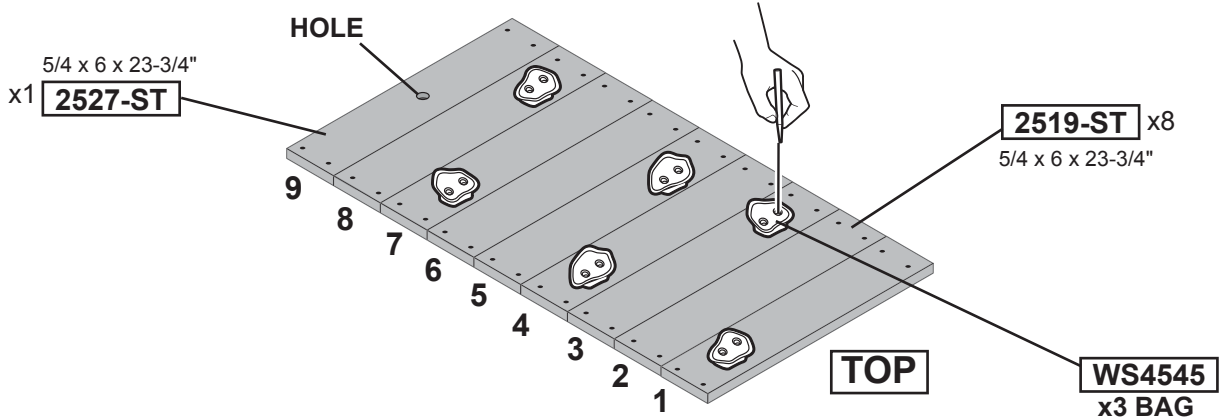
# ASSEMBLE

Place and align planks parallel on a level surface.  
We recommend a soft surface to protect planks.

\*Hint: Number the order of each plank for correct re-orientation, top to bottom.  
Mark parts on back side or use masking tape.

 Arrange all Rocks in an attractive and practical fashion. Position Rocks between pre-drilled holes in planks. **DO NOT** position Rocks over any pre-drilled holes.

Mark hole position of each Rock in final decided position.



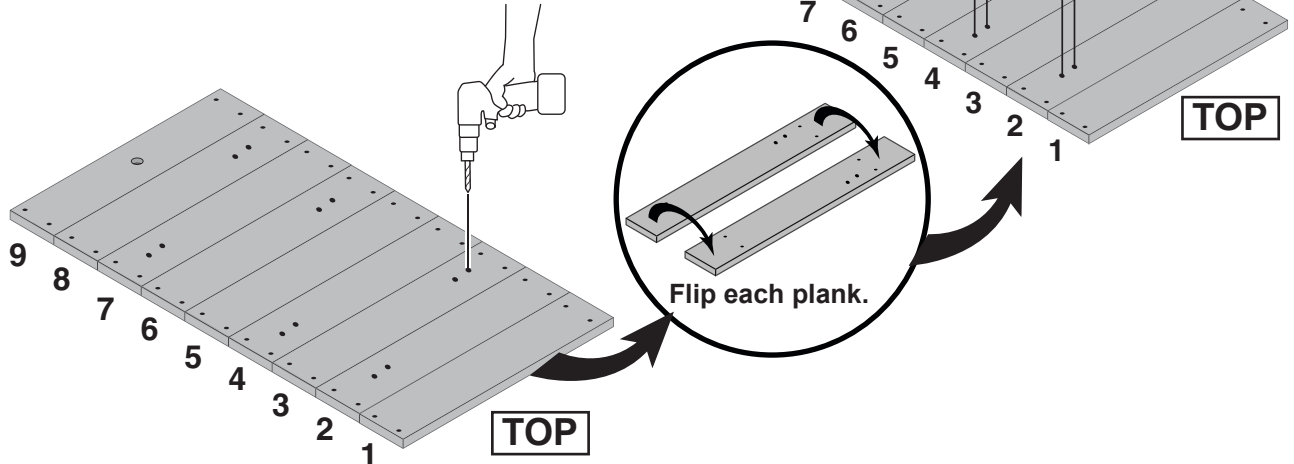
# ROCK WALL

# ASSEMBLE

Flip each plank over and pound in 5/16" T-Nuts  
(Provided in rock bag) at each hole location.

WS4545  
x3 BAG

Remove Rocks and drill 1/4" holes through all planks.

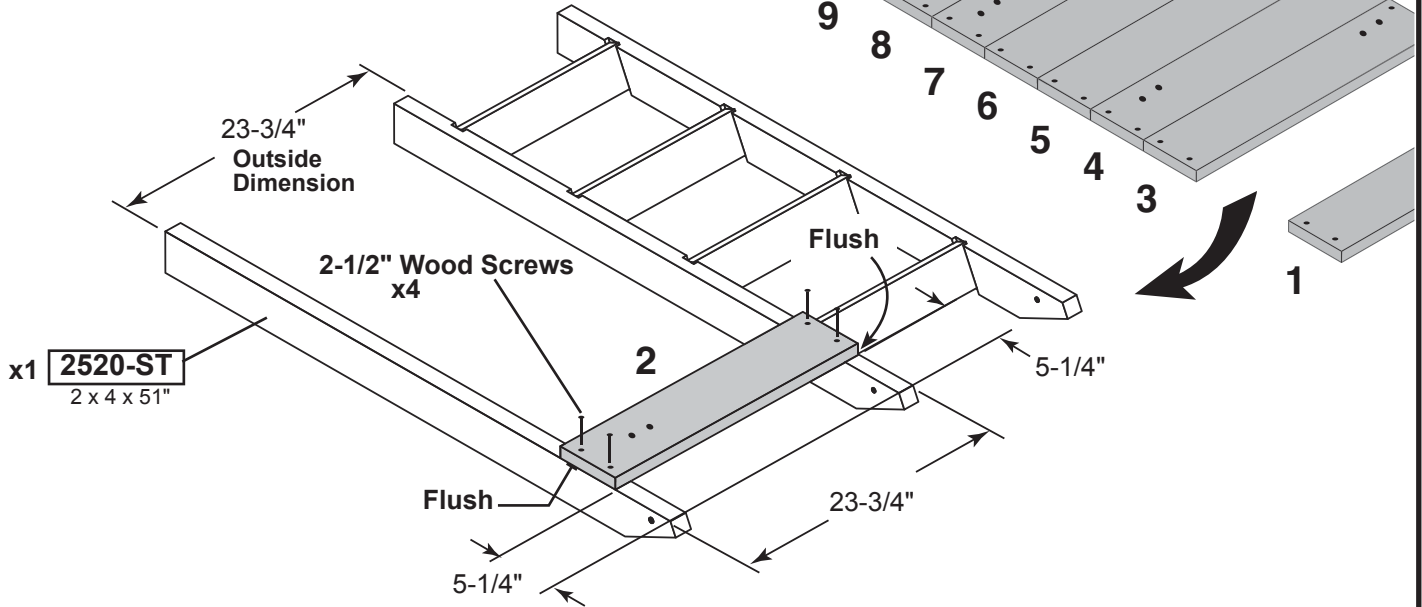


# ROCK WALL

# ASSEMBLE

HARDWARE  
BAGS  
NEEDED:  
**17004**

Turn all planks over to original position.  
Align two rails parallel and maintain dimension shown.  
Position plank 2 as shown and attach to rails.  
- Do not attach any other planks at this time.



# ROCK WALL

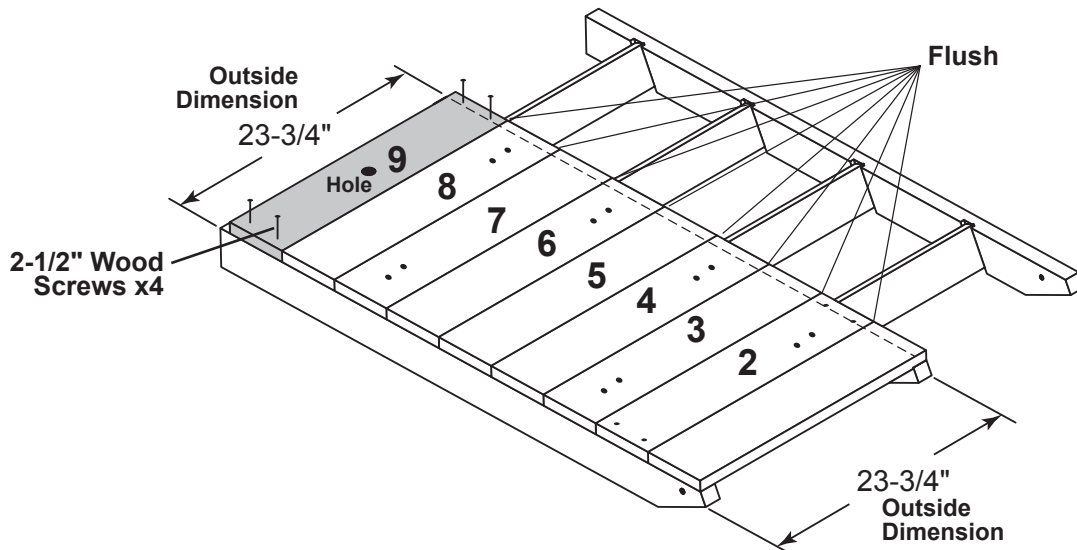
# ASSEMBLE

HARDWARE  
BAGS  
NEEDED:  
**17004**

Place planks 3 through 9 onto rails, flush to each other.

With all Planks flush and snug, secure plank 9 ONLY using 4 screws. Maintain dimension shown.

- Do not attach any other planks at this time.



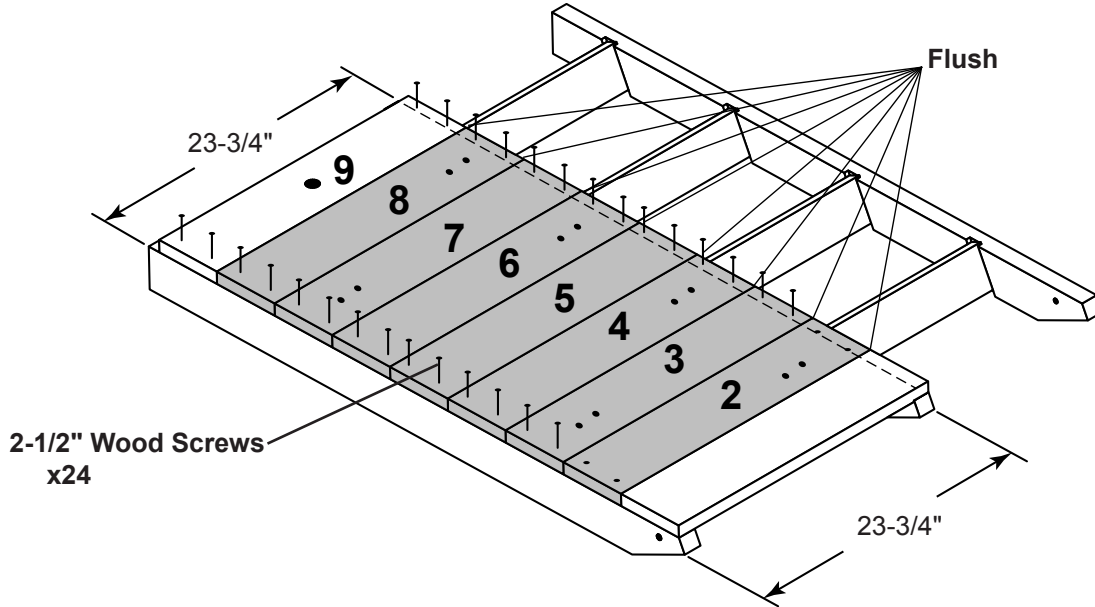
# ROCK WALL

# INSTALL

HARDWARE  
BAGS  
NEEDED:  
17004

Secure remaining planks (3 through 8). Ensure all plank ends are flush, making sure screws install into rails.

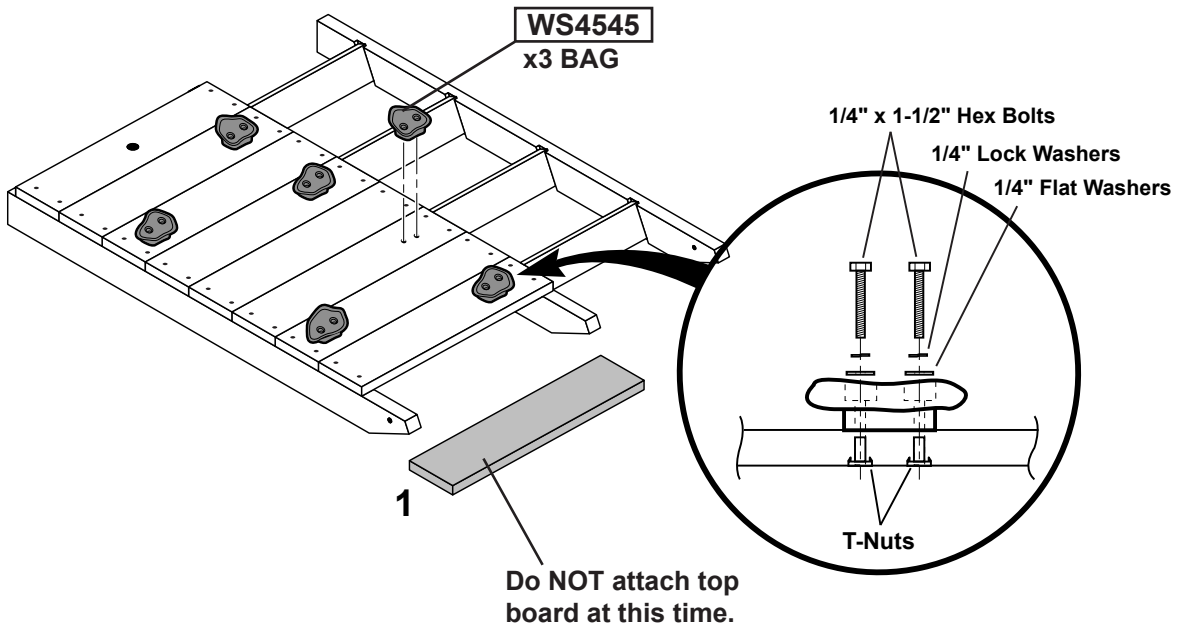
- Do Not attach top plank 1 at this time.



# ROCK WALL

# ASSEMBLE

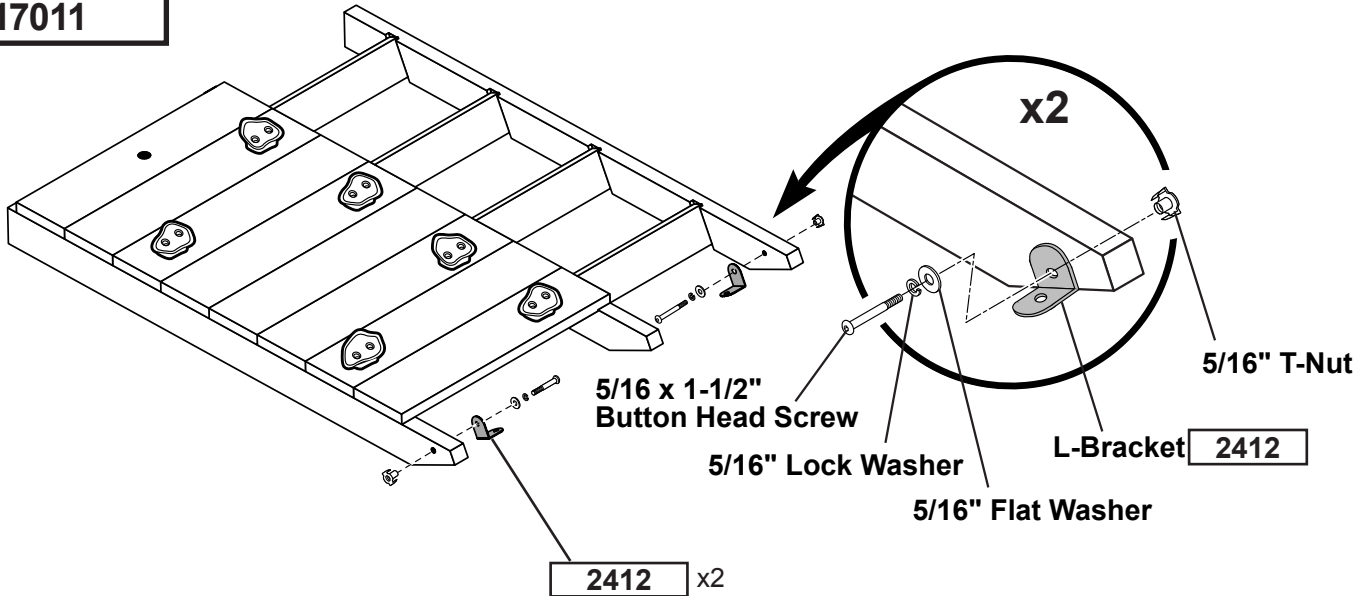
HARDWARE  
INCLUDED  
WITH  
ROCKS



# ROCK WALL

# ASSEMBLE

HARDWARE  
BAGS  
NEEDED:  
**17011**



# ROCK WALL / LADDER

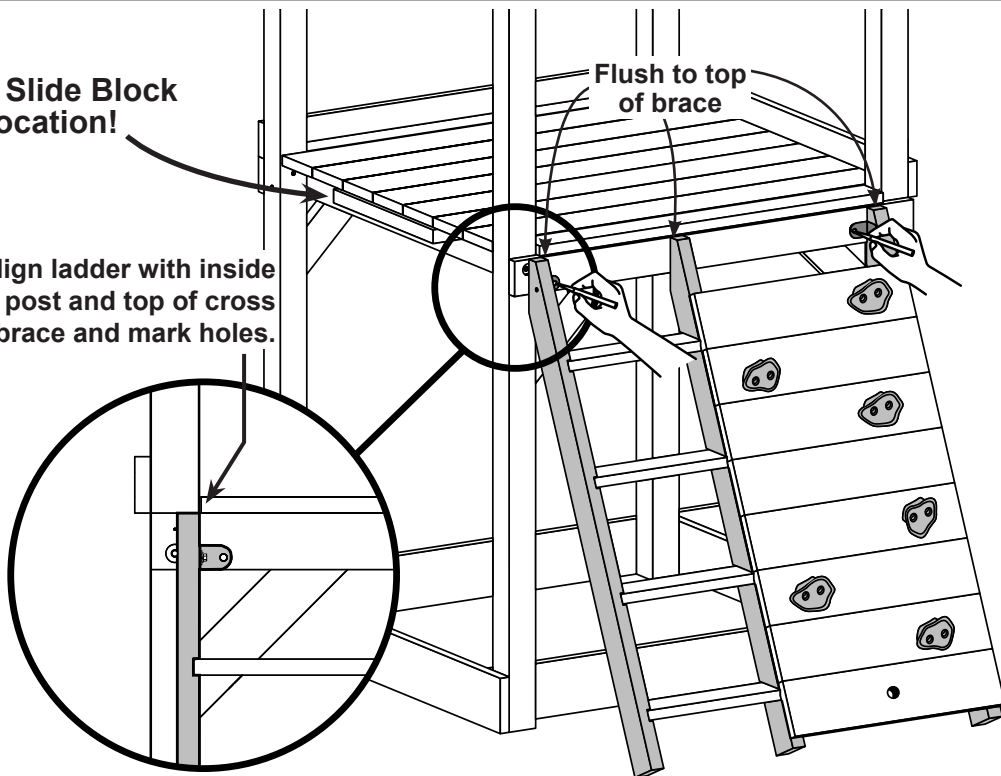
# INSTALL



**Note Slide Block location!**

Align ladder with inside of post and top of cross brace and mark holes.

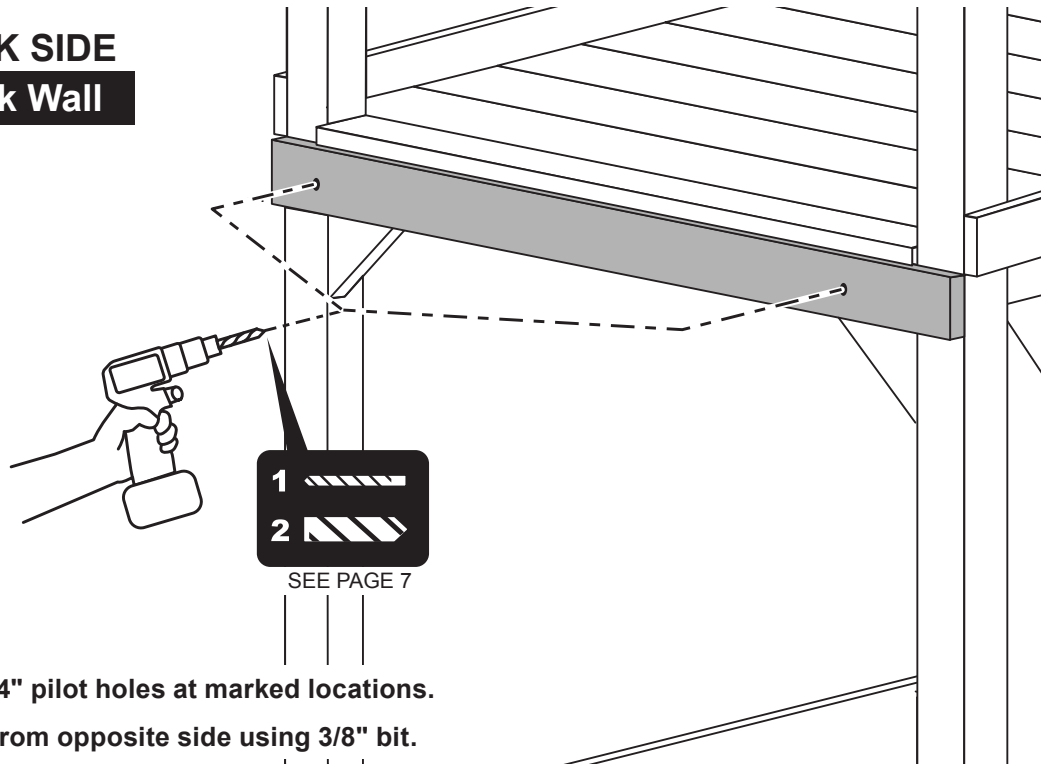
Flush to top of brace



# ROCK WALL / LADDER

# INSTALL

**BACK SIDE**  
**Rock Wall**



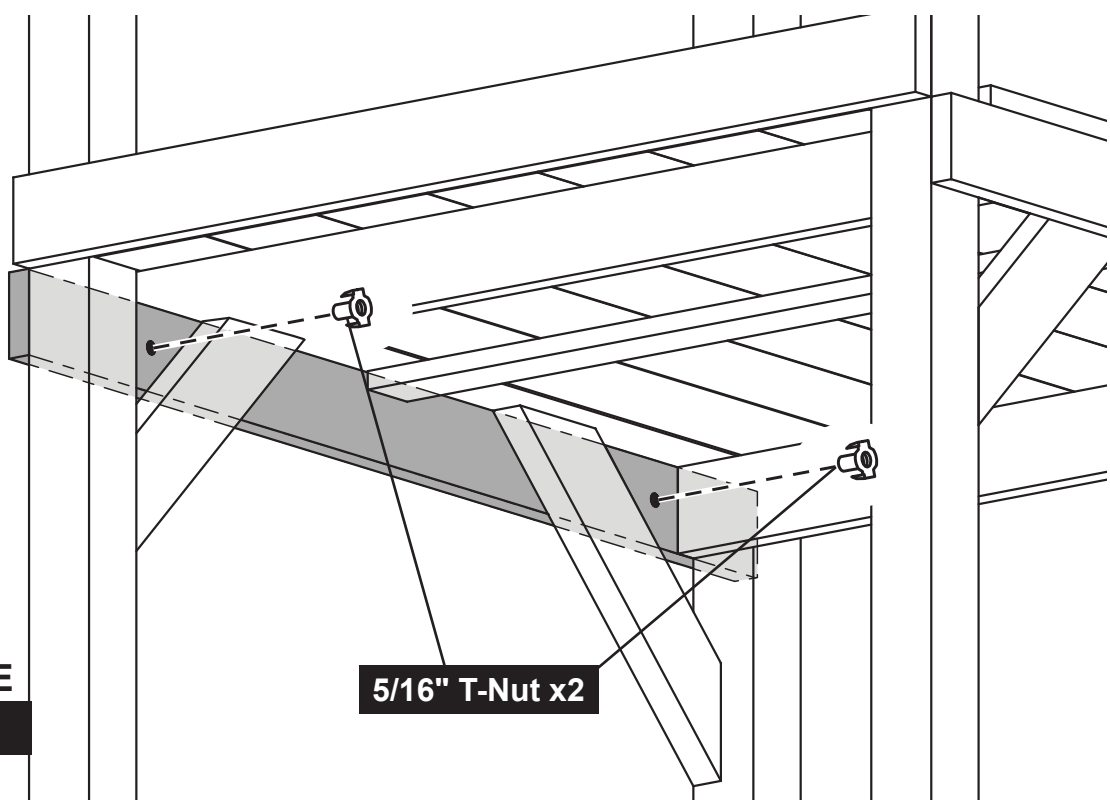
Pre-drill two 1/4" pilot holes at marked locations.  
Re-drill holes from opposite side using 3/8" bit.

# ROCK WALL / LADDER

# INSTALL

**HARDWARE**  
**BAGS**  
**NEEDED:**  
**17011**

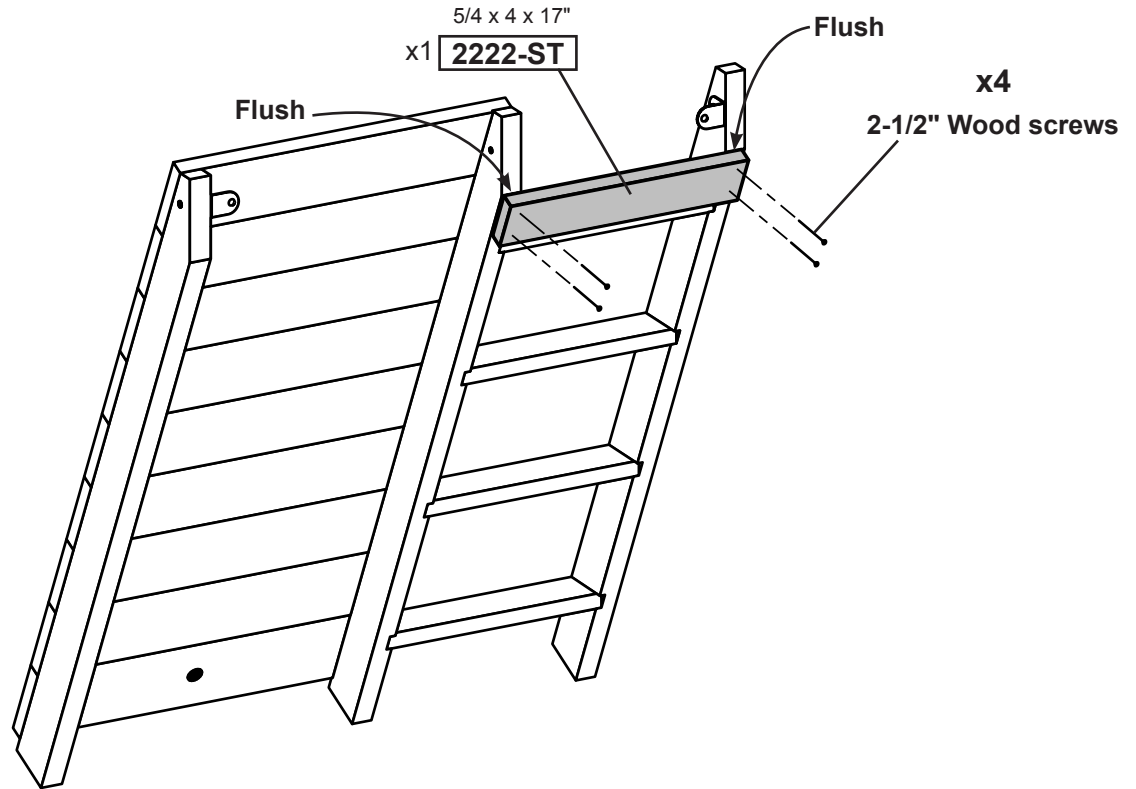
**BACK SIDE**  
**Rock Wall**



# ROCK WALL / LADDER

# INSTALL

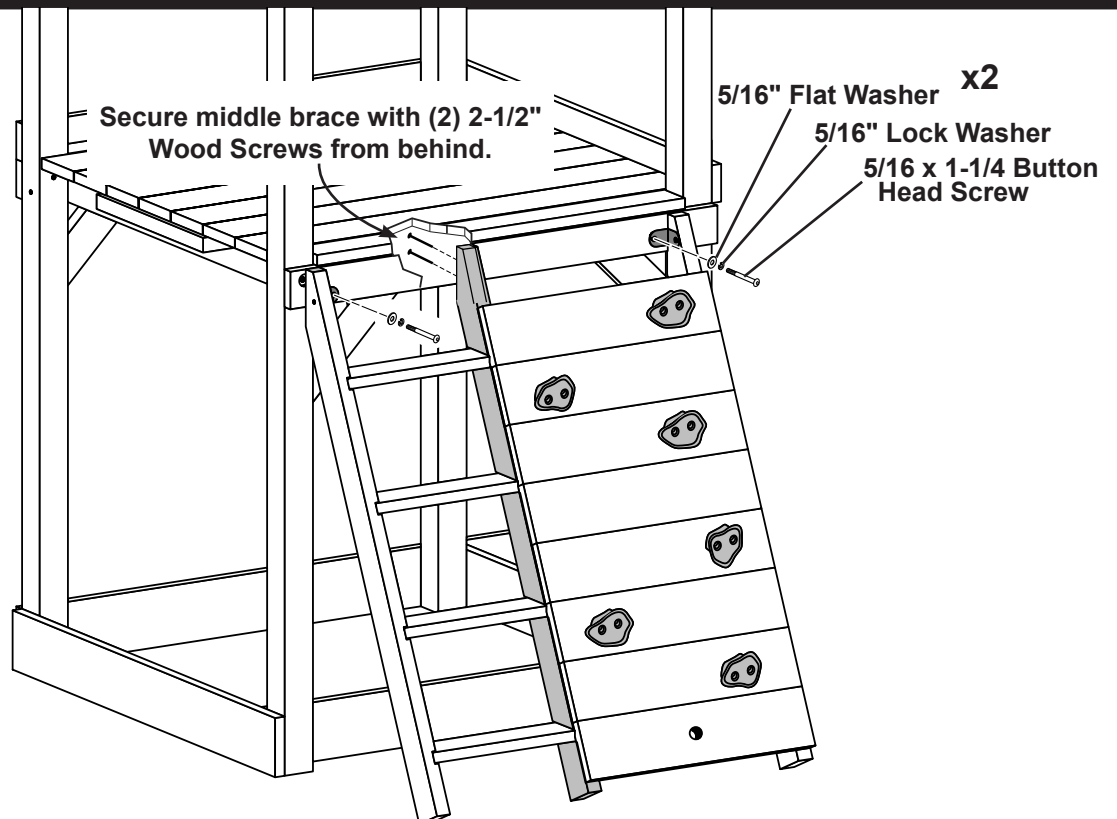
HARDWARE  
BAGS  
NEEDED:  
**17004**



# ROCK WALL / LADDER

# INSTALL

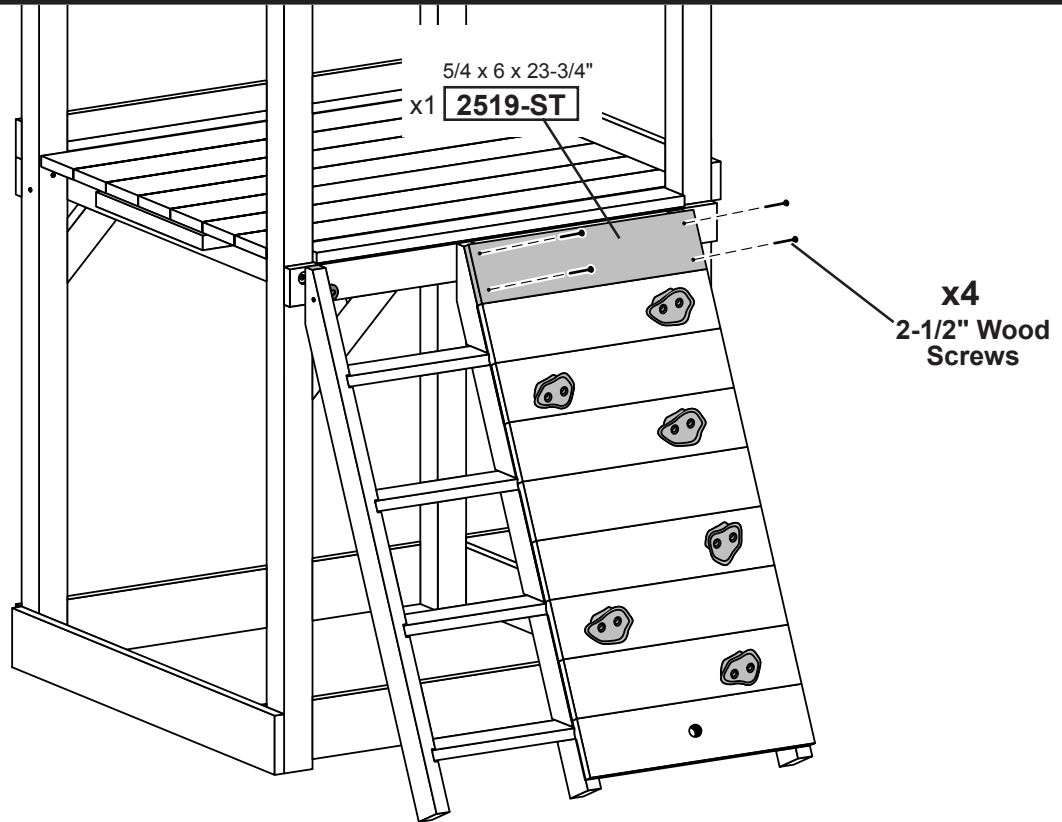
HARDWARE  
BAGS  
NEEDED:  
**17004**  
**17011**



# ANGLE BRACE & ROCK WALL

# TOP PLANK

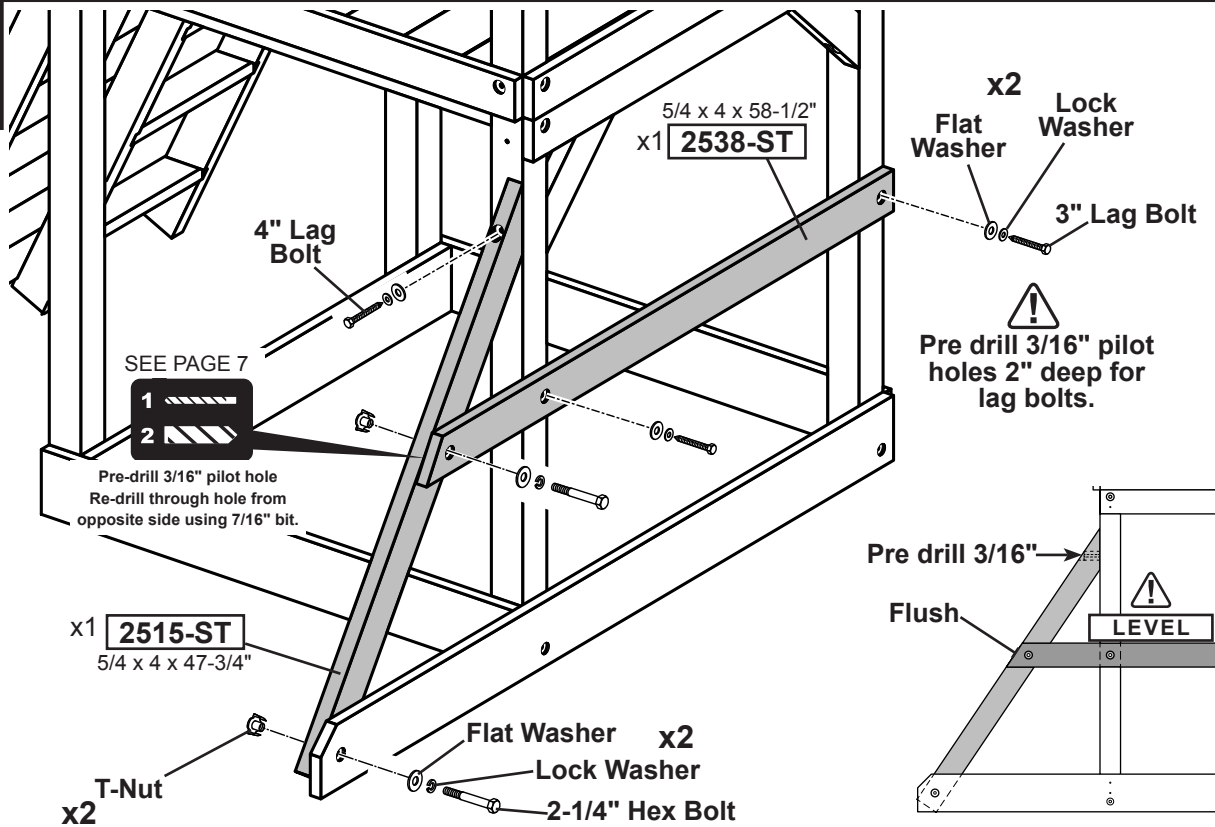
HARDWARE  
BAGS  
NEEDED:  
**17004**



# FORT BRACING

# INSTALL

HARDWARE  
BAGS  
NEEDED:  
**17012**



# SWING BEAM

# SWING HANGERS - INSTALL

**Swing Hanger Bolt**

**1-3/8" Washer**

**2631-B Swing Hanger x6**

**Spring Clip**

**Swing Beam**

**1-3/8" Washer**

**Swing Hanger**

**IMPORTANT!**  
Final position of each Spring Clip is perpendicular to swing beam.

**IMPORTANT!**  
Insert Swing Hanger and hand-tighten until hanger meets swing beam. Use a screwdriver to keep swing hanger in position while tightening lock nut.

You may need to tap with hammer to get through holes.

Based on your Playset, you may have additional swing beam hardware.

# SWING BEAM

# SWING HANGERS

**3-1/2 x 5-1/2 x 95" 2752-W x1**

**Swing Hanger Bolt must protrude at least TWO Threads beyond Lock Nut.**

**IMPORTANT!** **2 Threads MIN.**

**Place Cap on threads after tightening**

**Use a socket wrench to tighten Lock Nut securely against washer.**

**Lock Nut**

**1-3/8" Washer**

**Cap**

**Lock Nut**

**1-3/8" Washer**

**HOLD position of Swing Hanger while tightening Lock Nut.**

**Swing Beam**

**1-3/8" Washer**

**1-3/8" Washer**

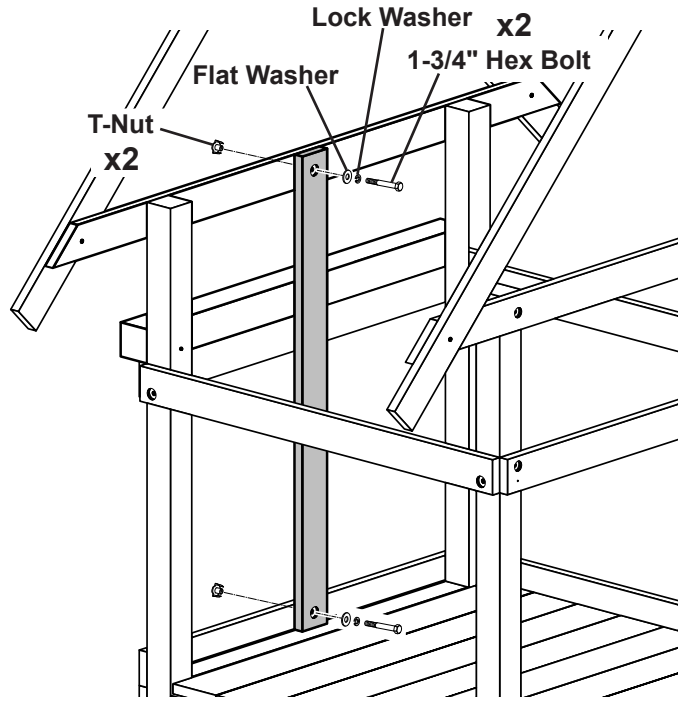
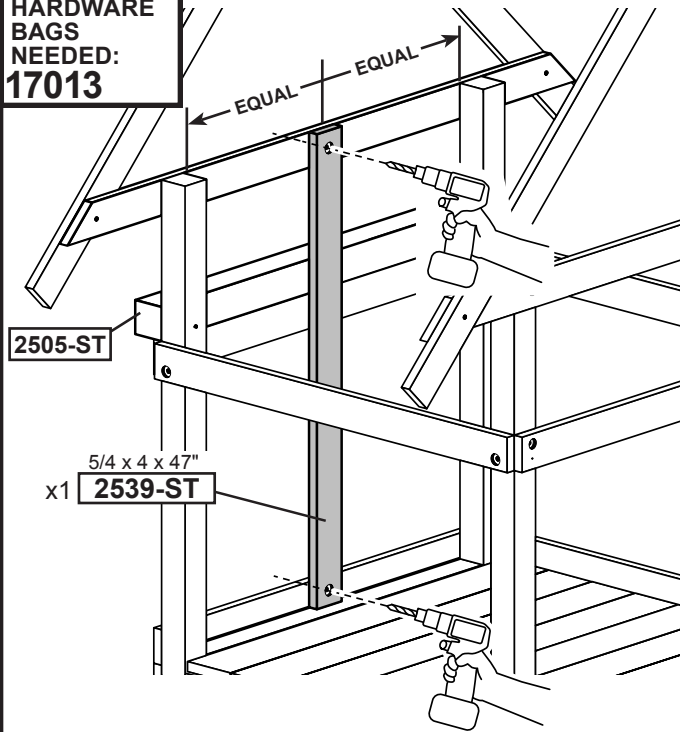
**IMPORTANT!**  
Final position of each Spring Clip is perpendicular to swing beam.



# UPRIGHT

# INSTALL

HARDWARE  
BAGS  
NEEDED:  
**17013**

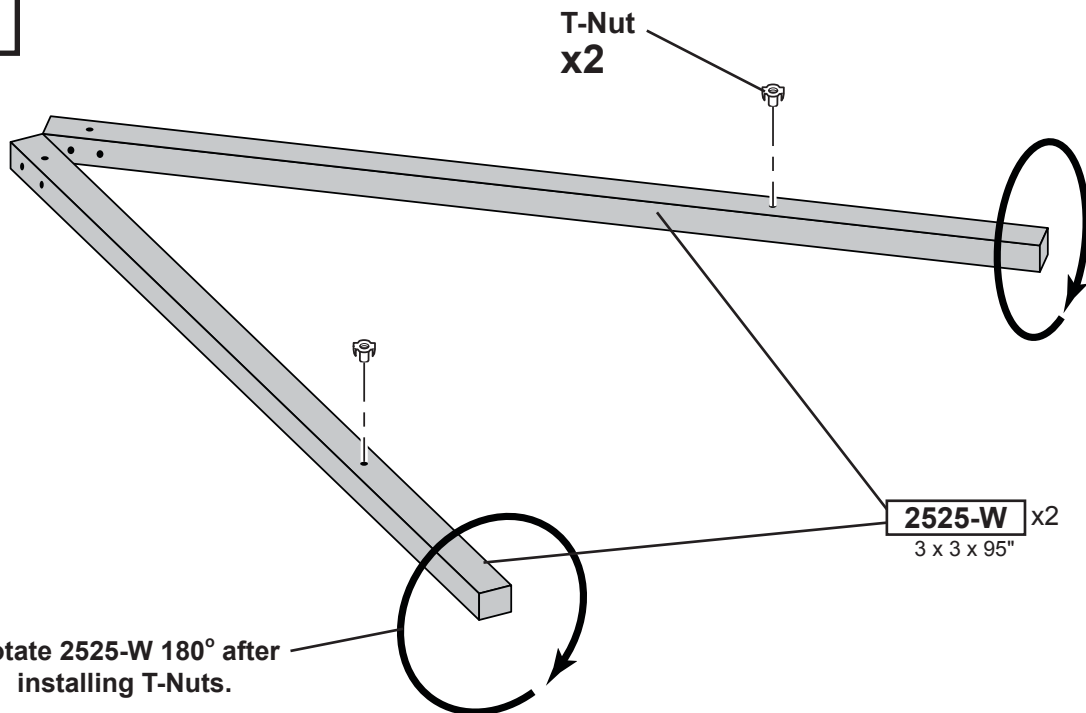


Center 2539-ST. Mark and Pre drill 7/16" through-holes for hex bolt.

# A - FRAME

# ASSEMBLE

HARDWARE  
BAGS  
NEEDED:  
**17014**



# A - FRAME

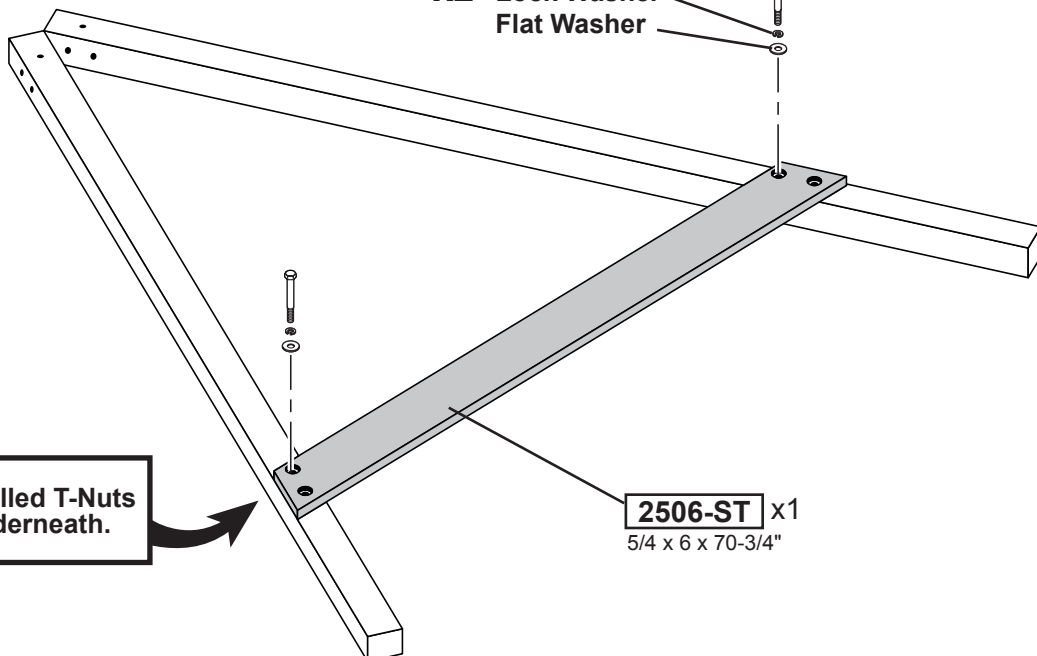
# ASSEMBLE

HARDWARE  
BAGS  
NEEDED:  
**17014**

**x2** 3-3/4" Hex Bolt  
Lock Washer  
Flat Washer

Pre-installed T-Nuts  
are underneath.

**2506-ST** x1  
5/4 x 6 x 70-3/4"



# SWING

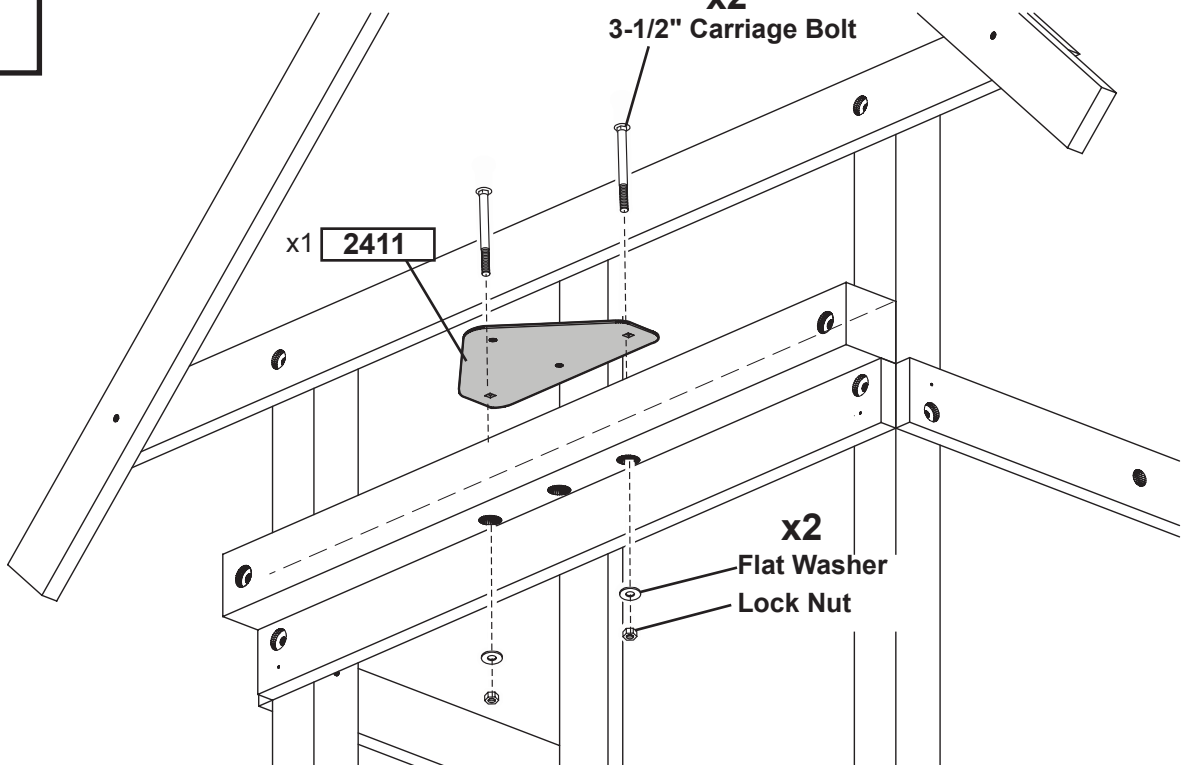
# SWING BEAM

HARDWARE  
BAGS  
NEEDED:  
**17014**

**x2** 3-1/2" Carriage Bolt

x1 **2411**

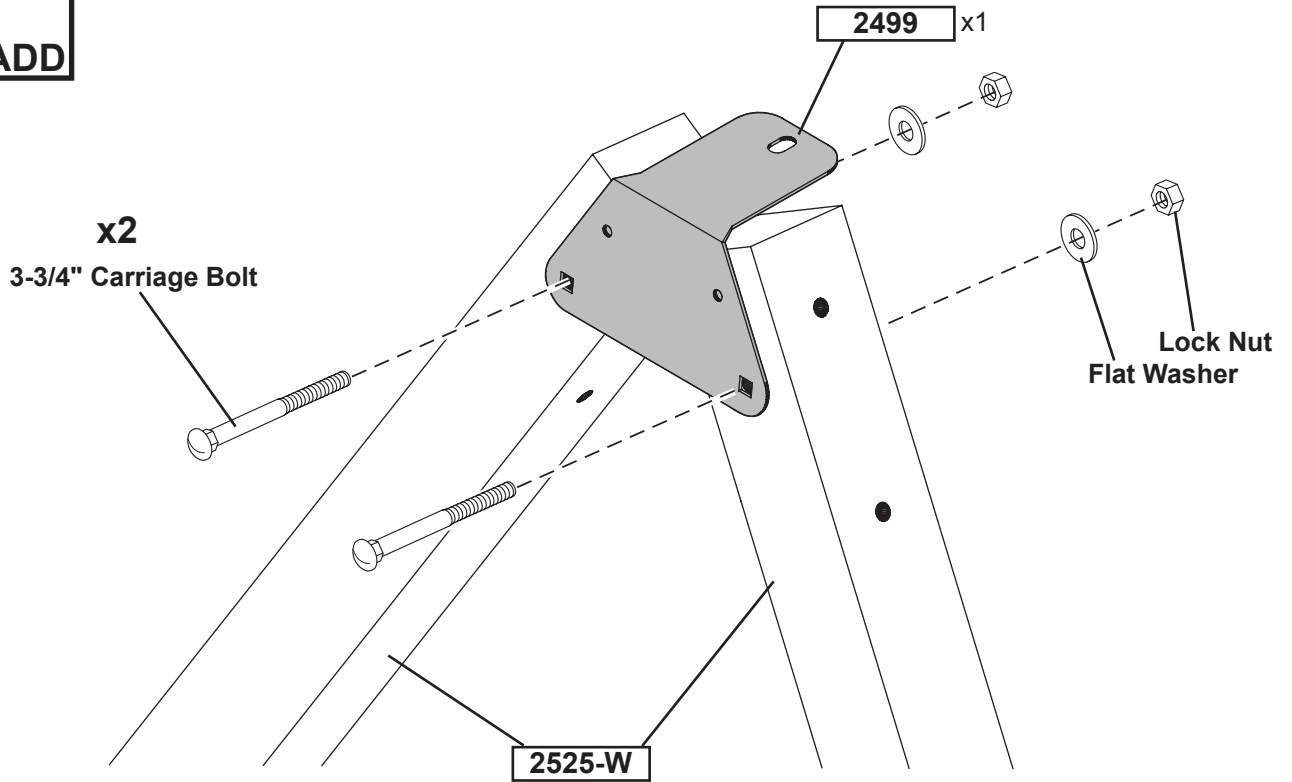
**x2** Flat Washer  
Lock Nut



# A - FRAME

# INSTALL

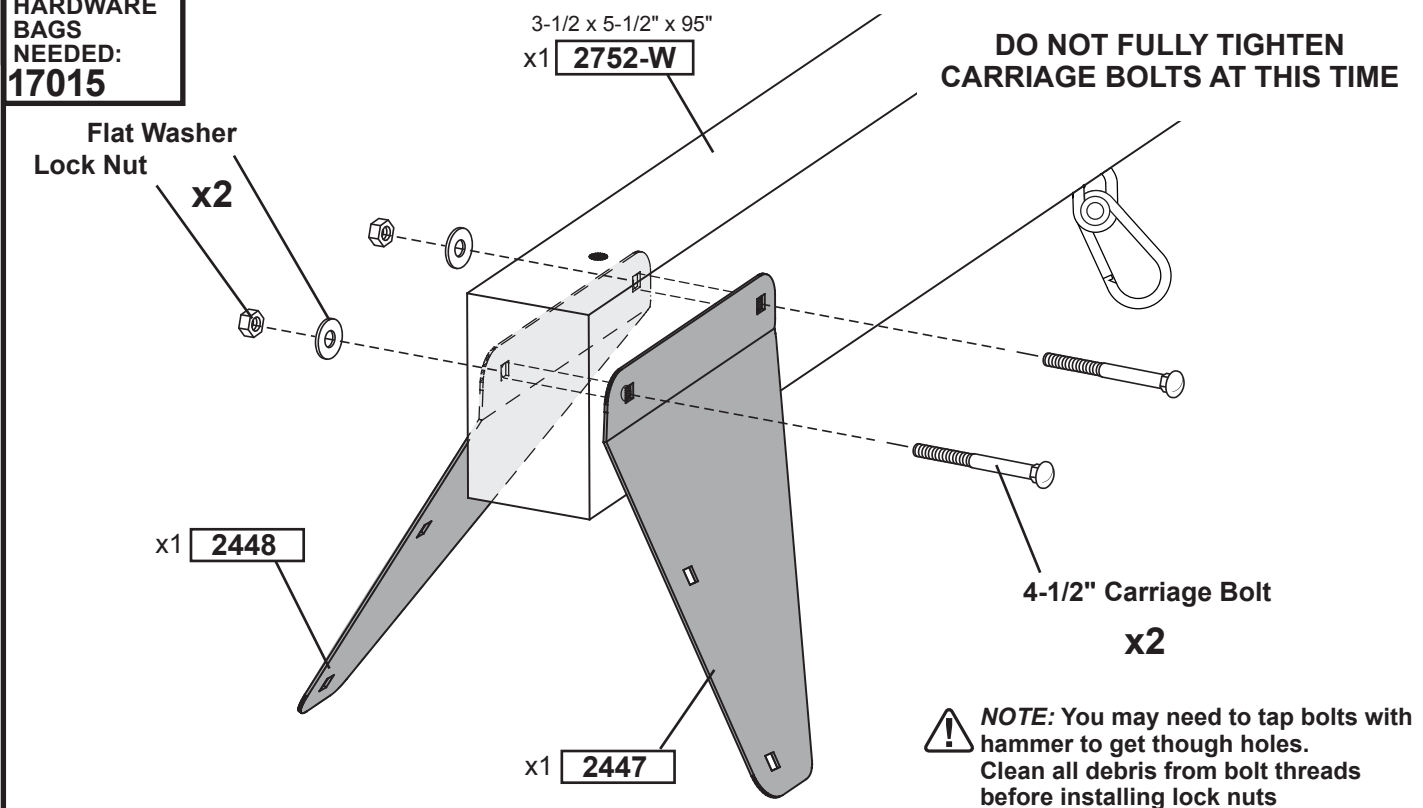
HARDWARE  
BAGS  
NEEDED:  
**2993-ADD**



# SWING BEAM

# INSTALL

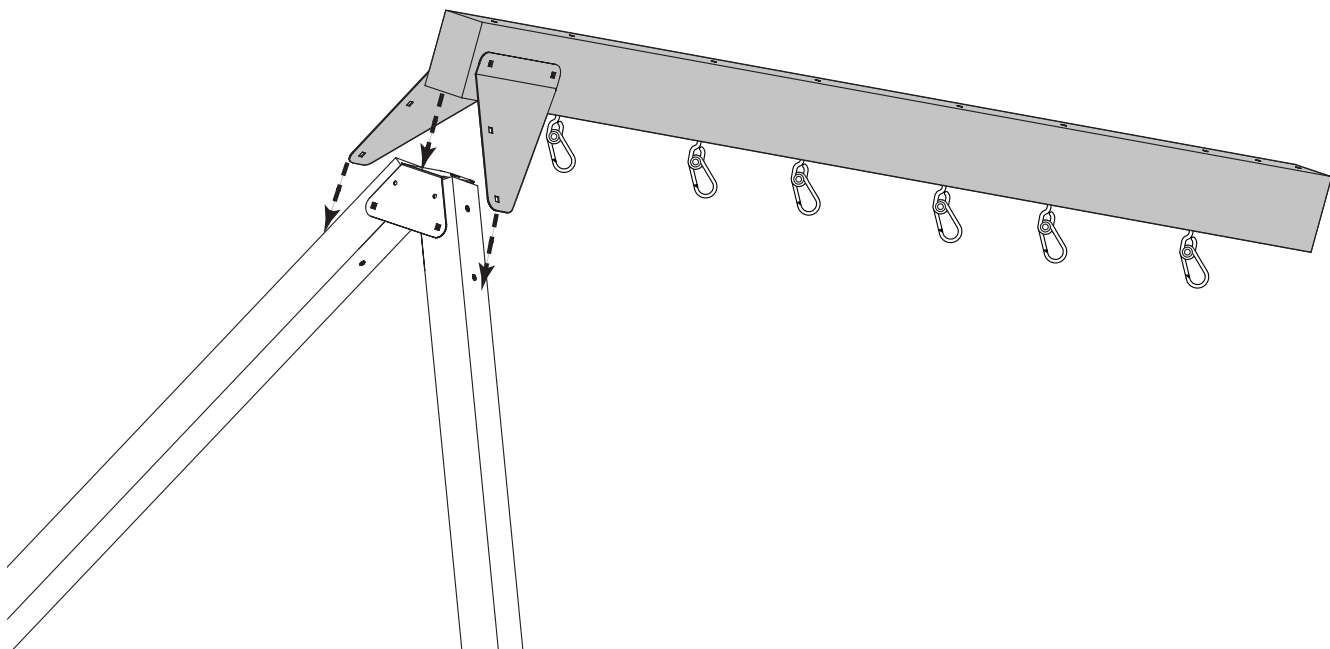
HARDWARE  
BAGS  
NEEDED:  
**17015**



# SWING BEAM

# INSTALL

Position swing beam assembly resting upon A-frame



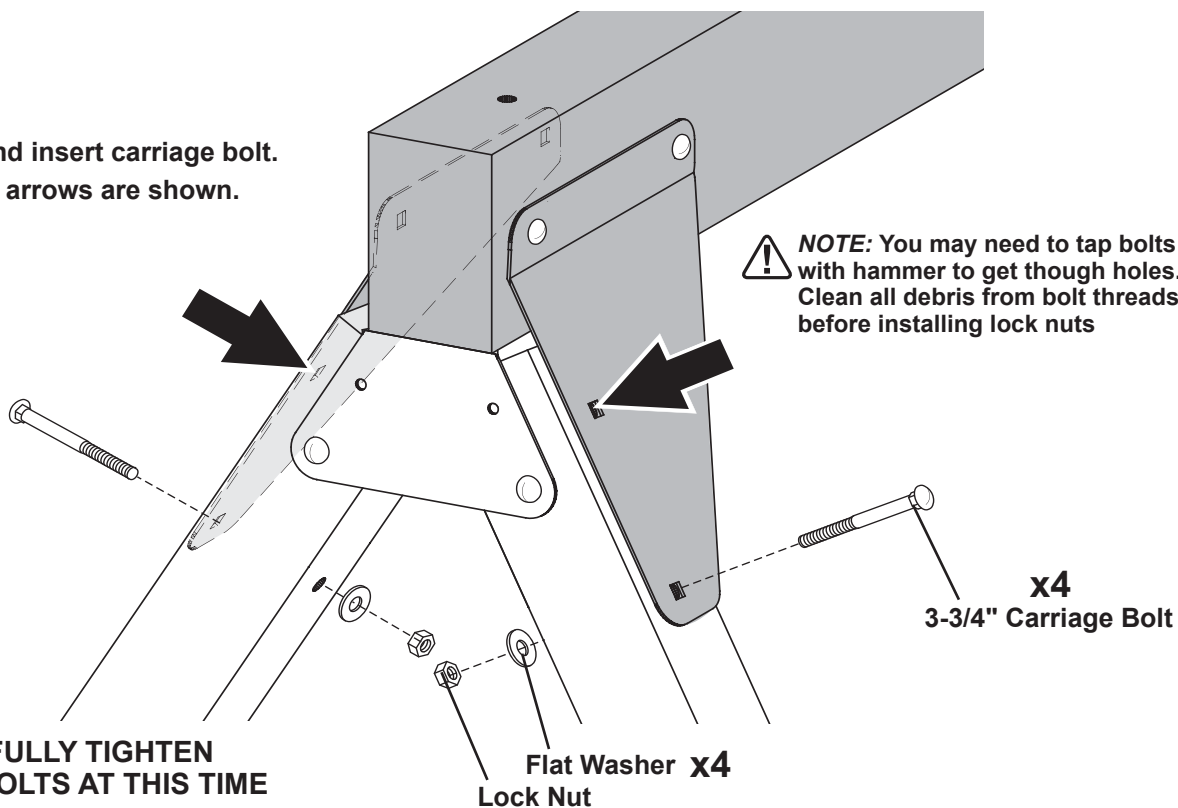
# SWING

# A - FRAME

HARDWARE  
BAGS  
NEEDED:  
**17015**

Align holes and insert carriage bolt.  
Repeat where arrows are shown.

**!** NOTE: You may need to tap bolts with hammer to get through holes. Clean all debris from bolt threads before installing lock nuts

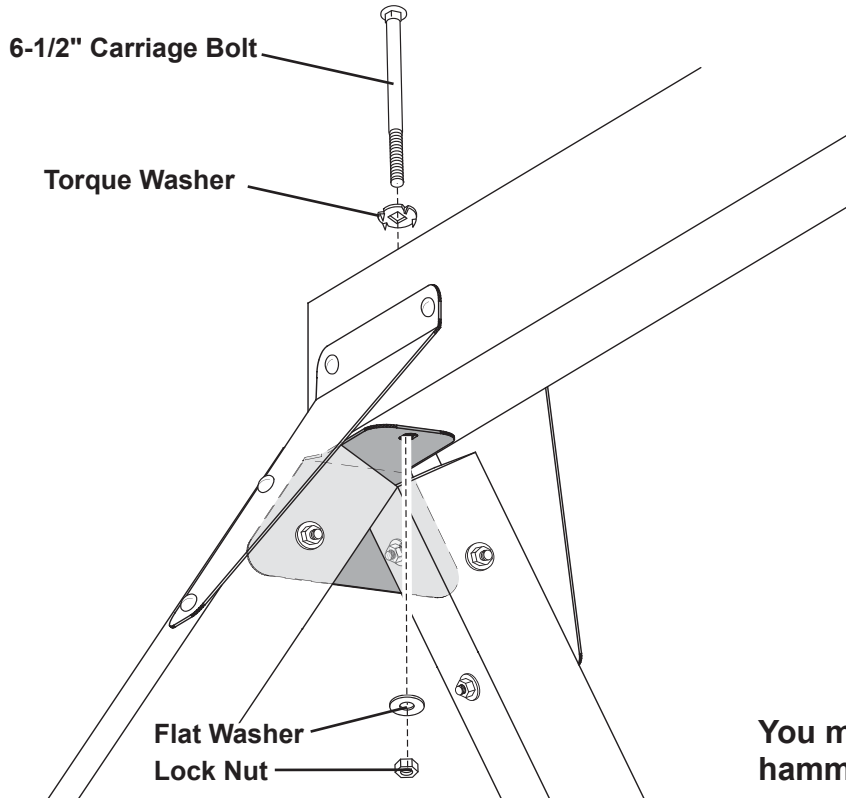


**DO NOT FULLY TIGHTEN CARRIAGE BOLTS AT THIS TIME**

# SWING BEAM ASSEMBLY

# INSTALL

**HARDWARE  
BAGS  
NEEDED:  
17015**



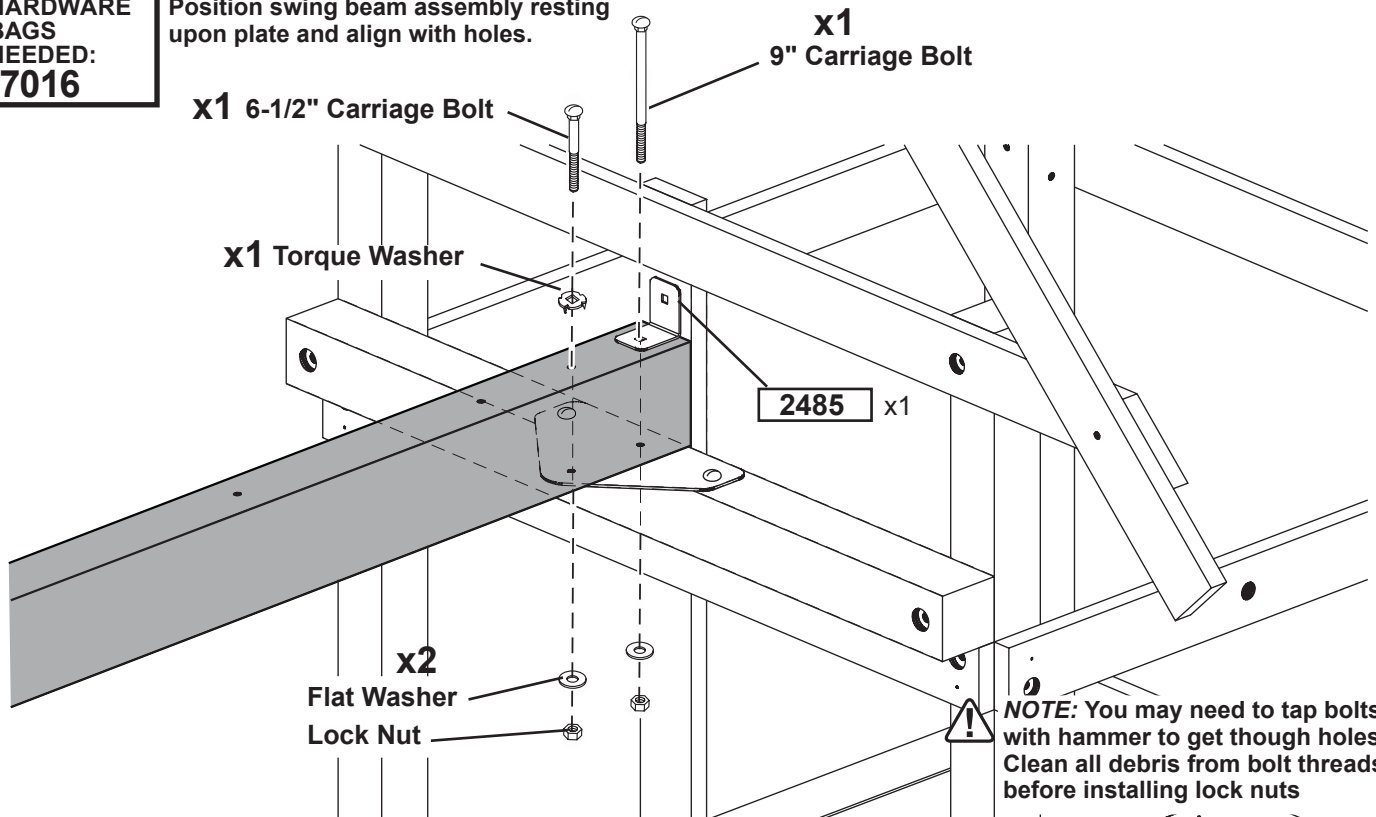
You may need to tap with hammer to get though holes.

# SWING

# SWING BEAM

**HARDWARE  
BAGS  
NEEDED:  
17016**

Position swing beam assembly resting upon plate and align with holes.



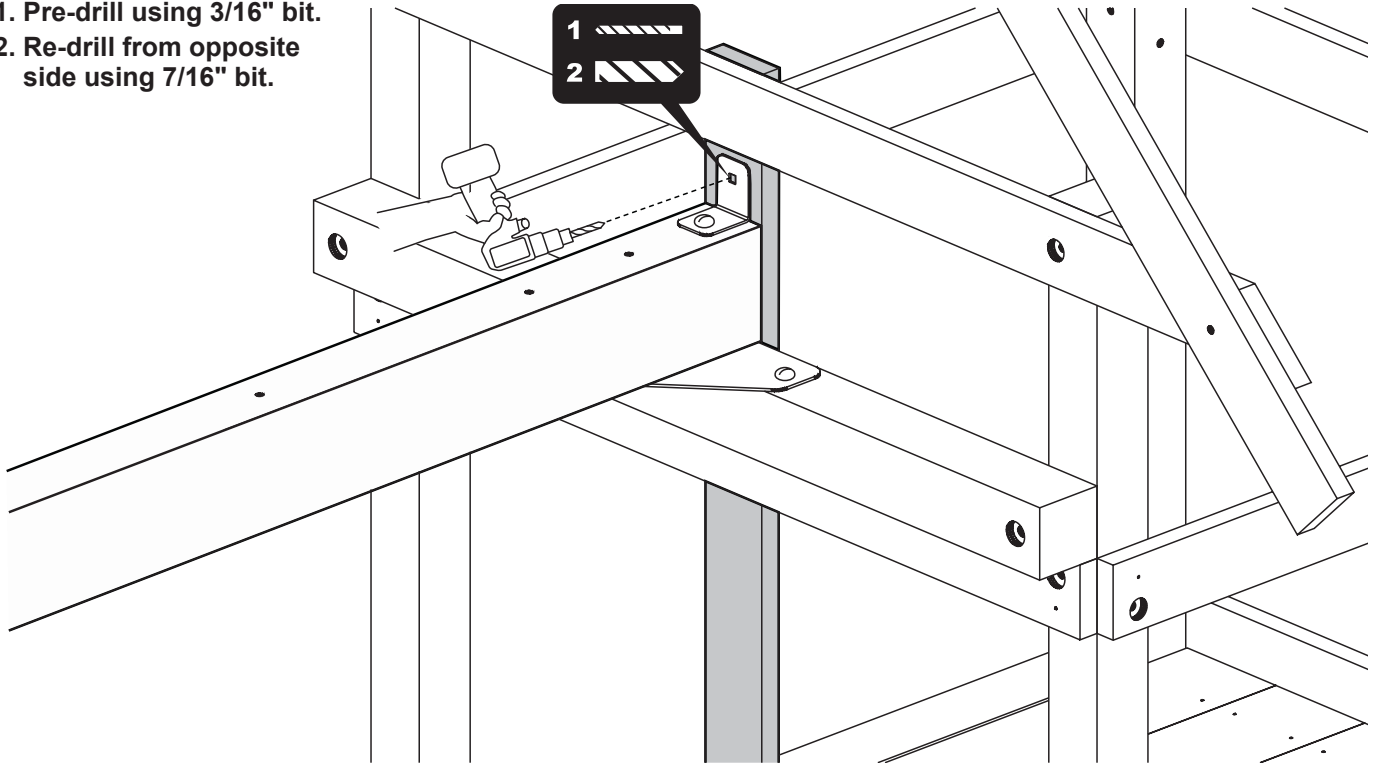
**NOTE:** You may need to tap bolts with hammer to get though holes. Clean all debris from bolt threads before installing lock nuts

# SWING

# SWING BEAM

1. Pre-drill using 3/16" bit.
2. Re-drill from opposite side using 7/16" bit.

SEE PAGE 7



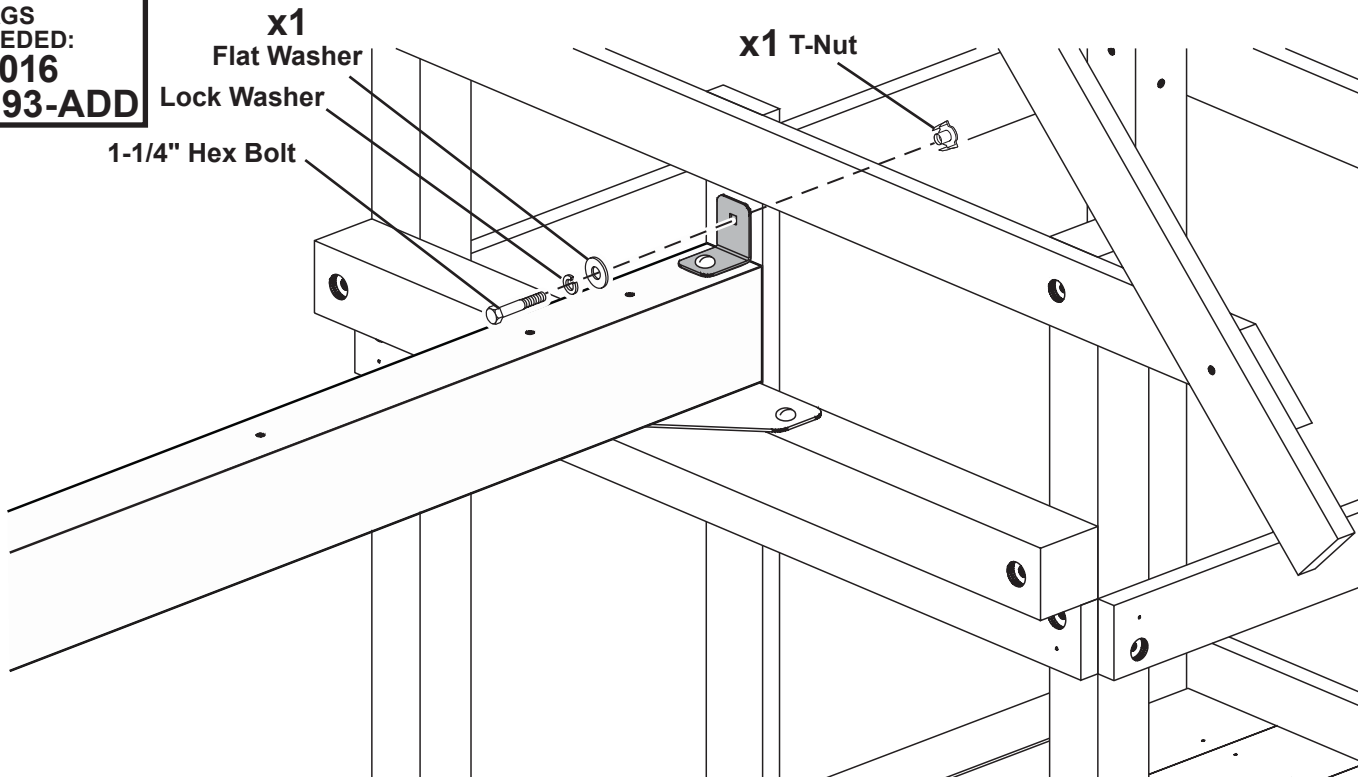
# SWING

# SWING BEAM

HARDWARE  
BAGS  
NEEDED:  
**17016**  
**2993-ADD**

- x1 Flat Washer
- Lock Washer
- 1-1/4" Hex Bolt

x1 T-Nut

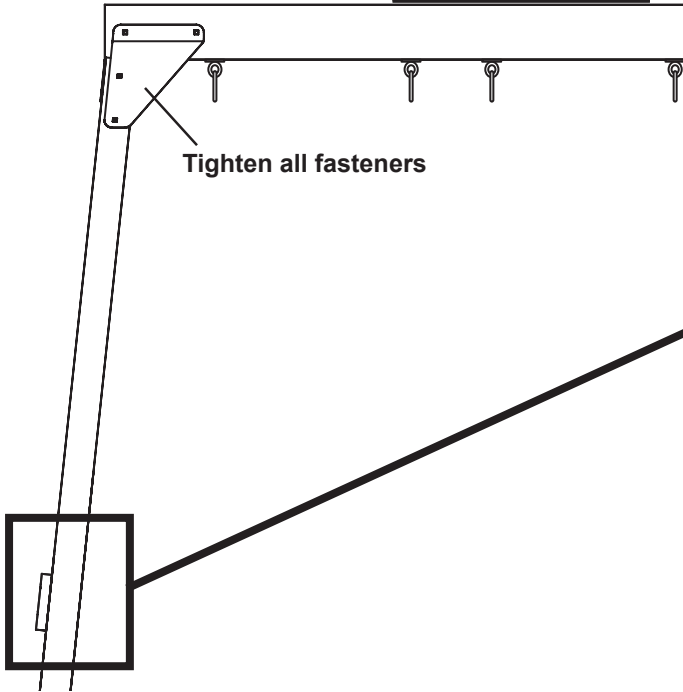
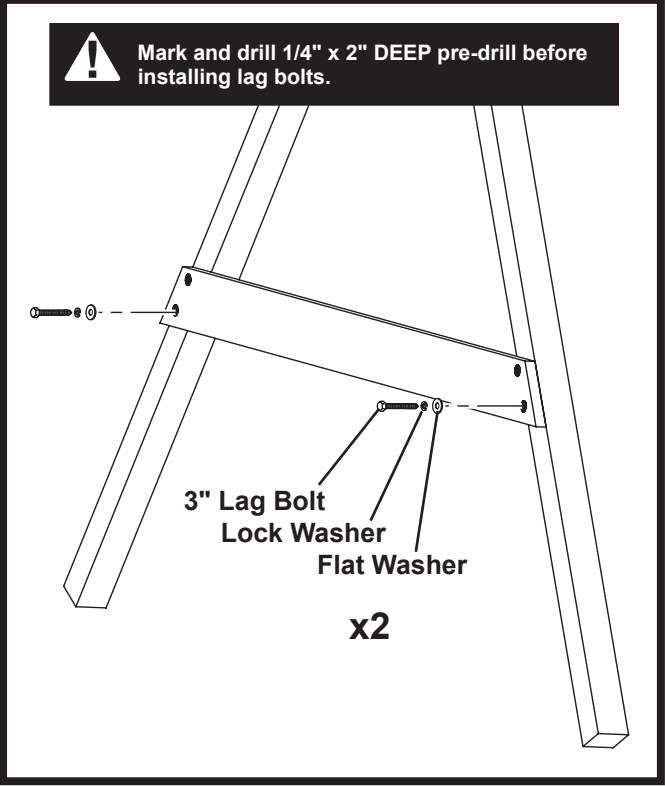


# SWING

# LEVEL

HARDWARE  
BAGS  
NEEDED:  
**17017**

Level swing beam and tighten  
all swing beam fasteners

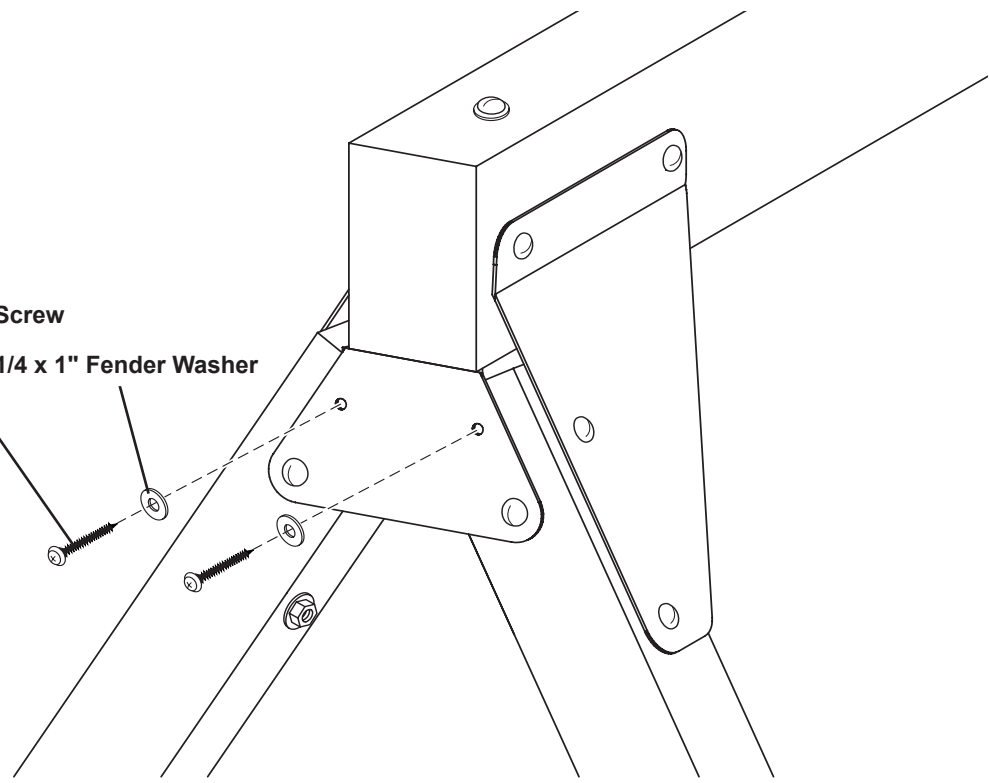


# SWING

# A - FRAME

HARDWARE  
BAGS  
NEEDED:  
**17006**

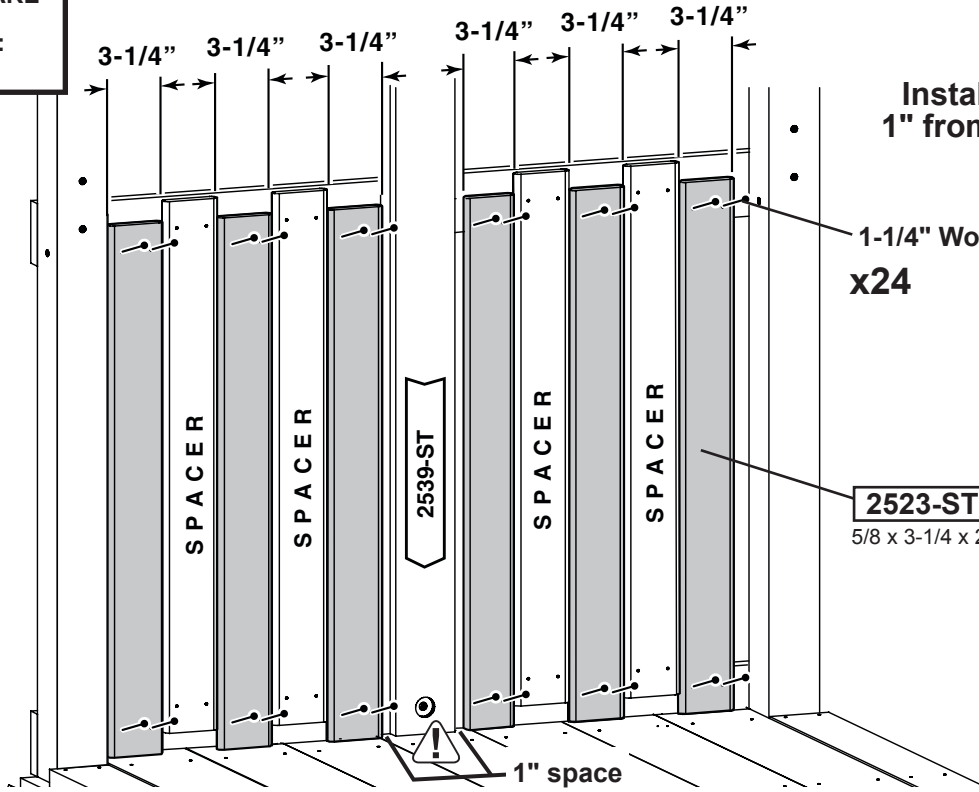
x2  
2-1/2" Pan Head Screw  
1/4 x 1" Fender Washer



# FORT

# BALUSTERS

HARDWARE  
BAGS  
NEEDED:  
**17001**



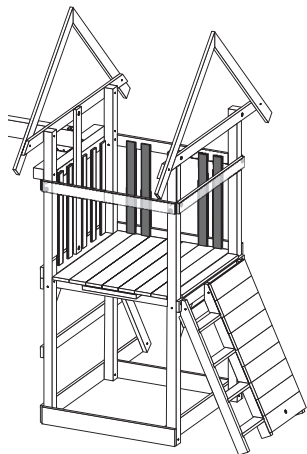
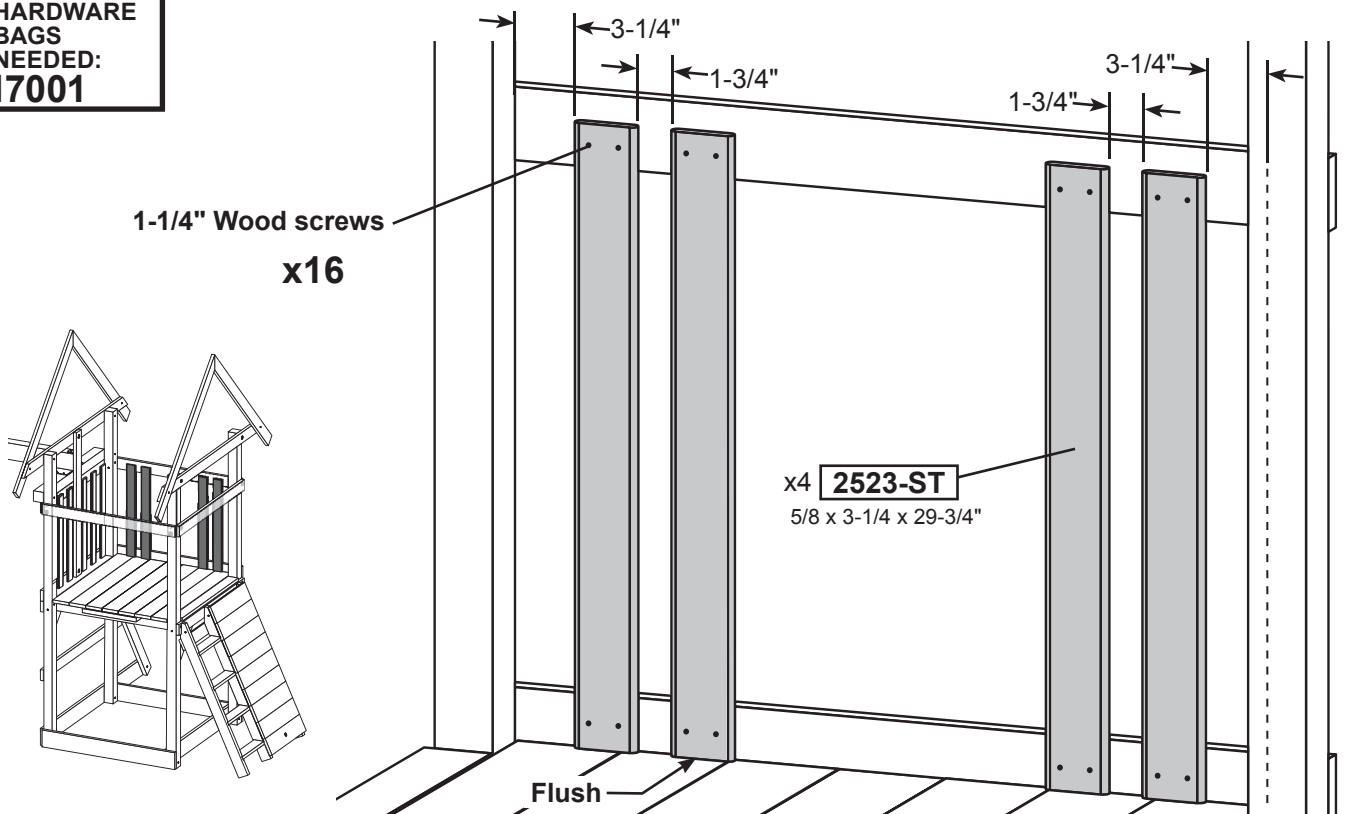
  
Install first balusters  
1" from upright 2539-ST  
and deck.



# FORT

# BALUSTERS

HARDWARE  
BAGS  
NEEDED:  
**17001**





# FORT

# BALUSTER SUPPORTS

HARDWARE BAGS NEEDED: 2992-ADD

Pre-drill 1/8" holes for screws to avoid splitting.

2-1/2" Wood Screws x4

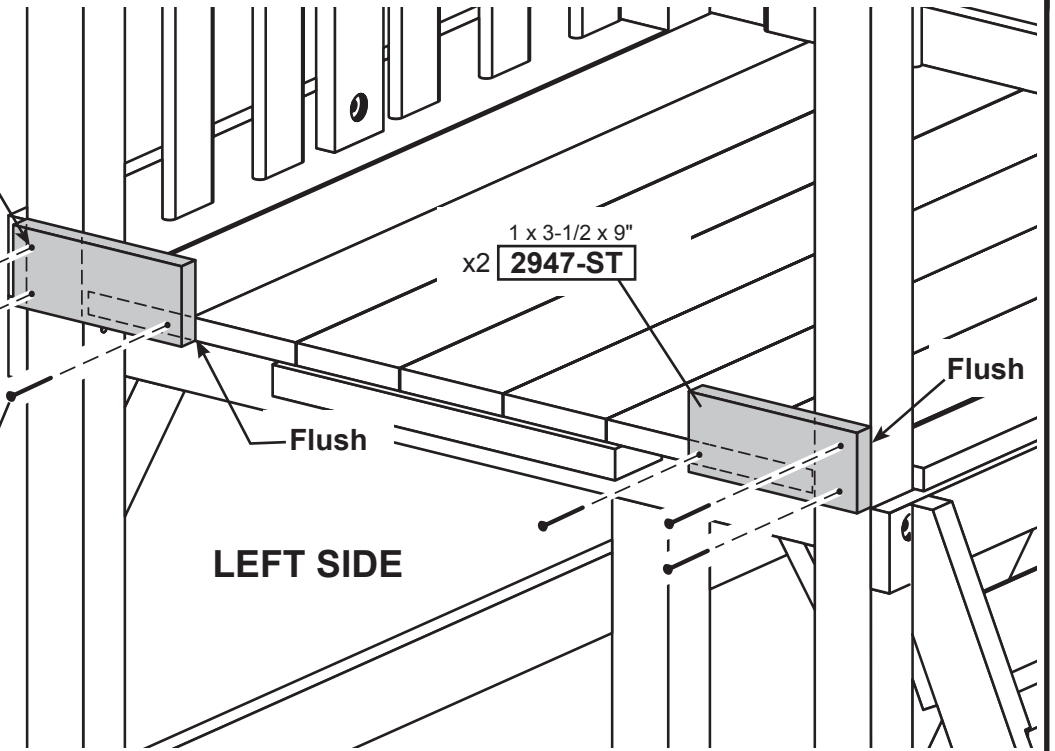
1 x 3-1/2 x 9" x2 2947-ST

2" Wood Screws x2

LEFT SIDE

Flush

Flush



# FORT

# BALUSTERS

HARDWARE BAGS NEEDED: 17001

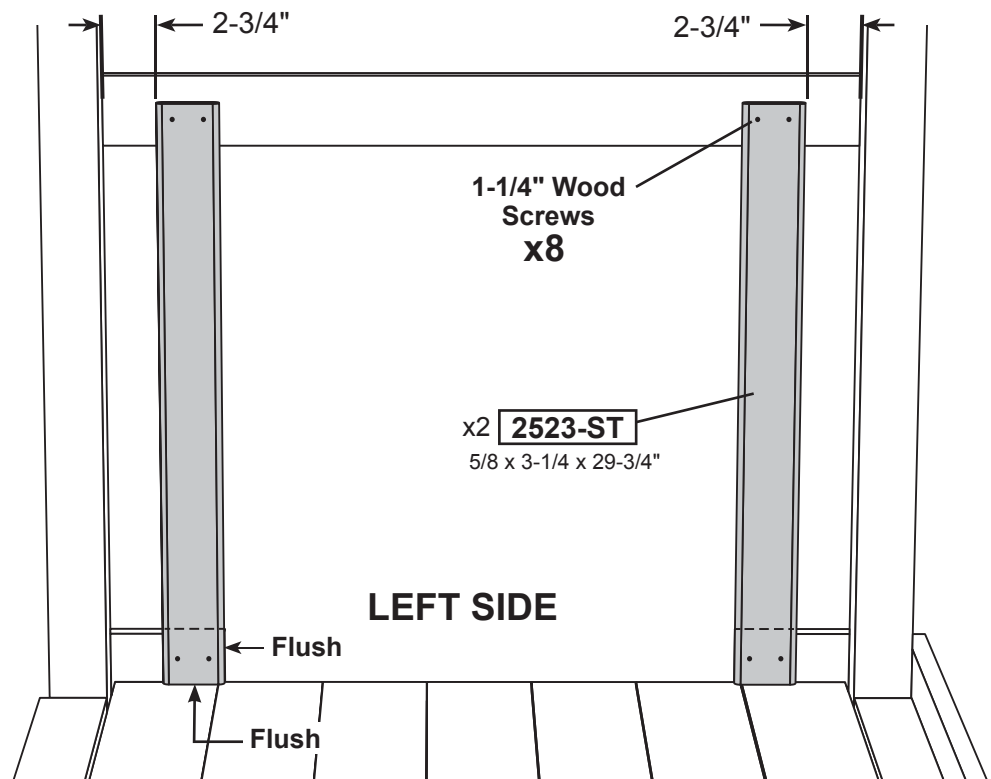
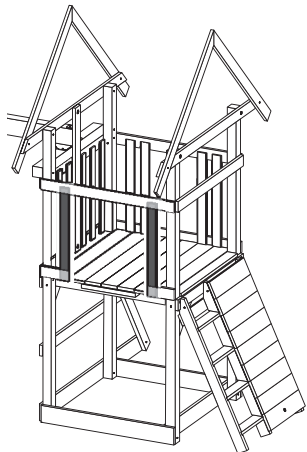
1-1/4" Wood Screws x8

x2 2523-ST 5/8 x 3-1/4 x 29-3/4"

LEFT SIDE

Flush

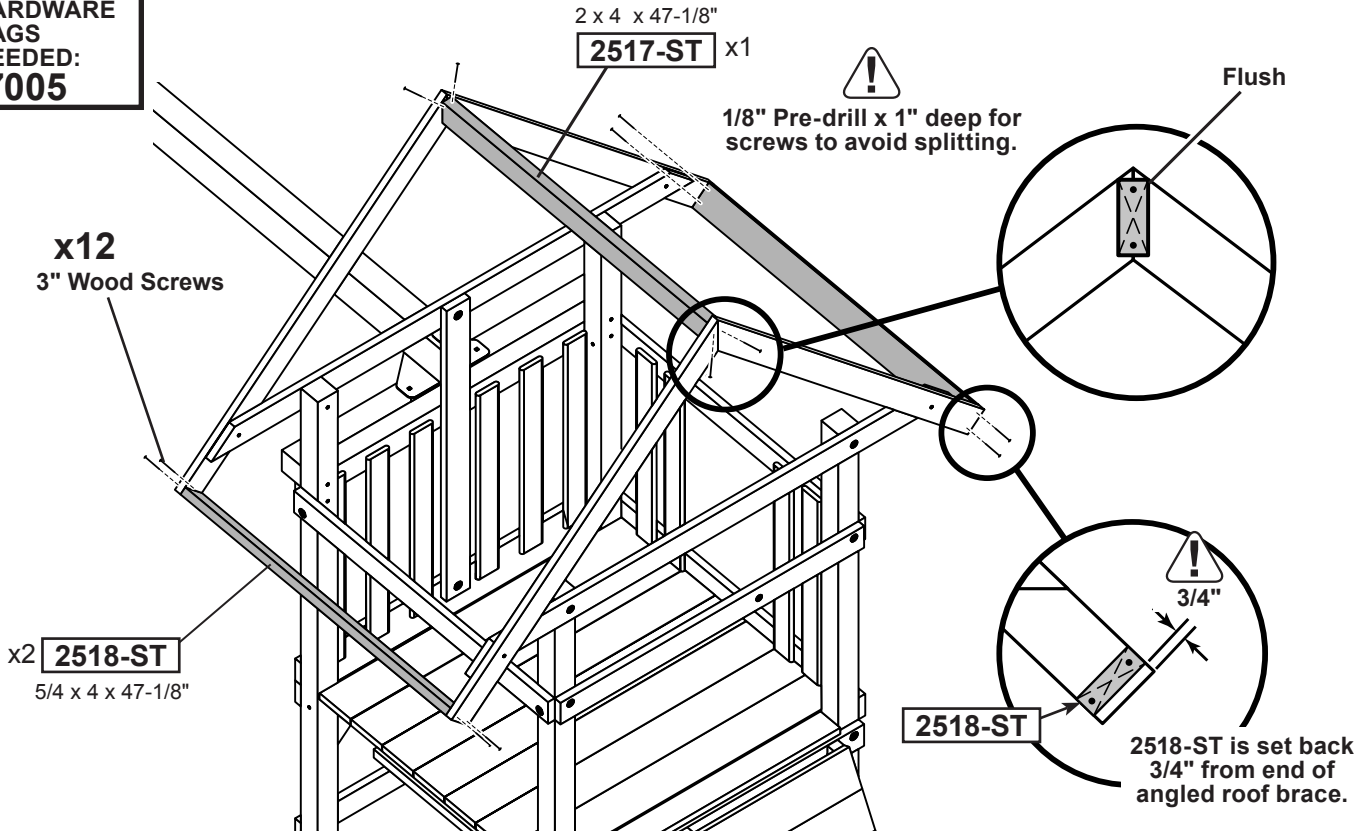
Flush



# ROOF/CANOPY

# INSTALL

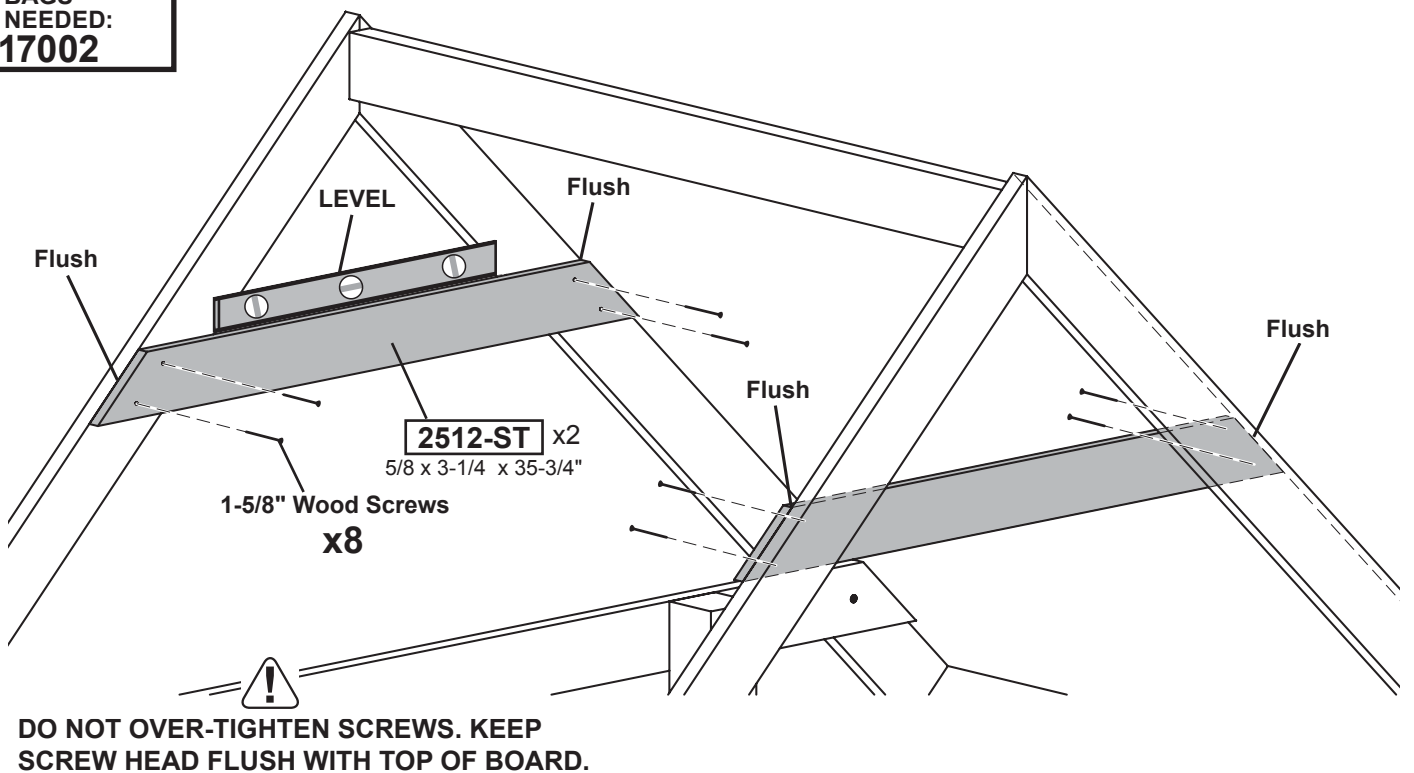
**HARDWARE  
BAGS  
NEEDED:  
17005**



# ROOF/CANOPY

# INSTALL


**HARDWARE  
BAGS  
NEEDED:  
17002**



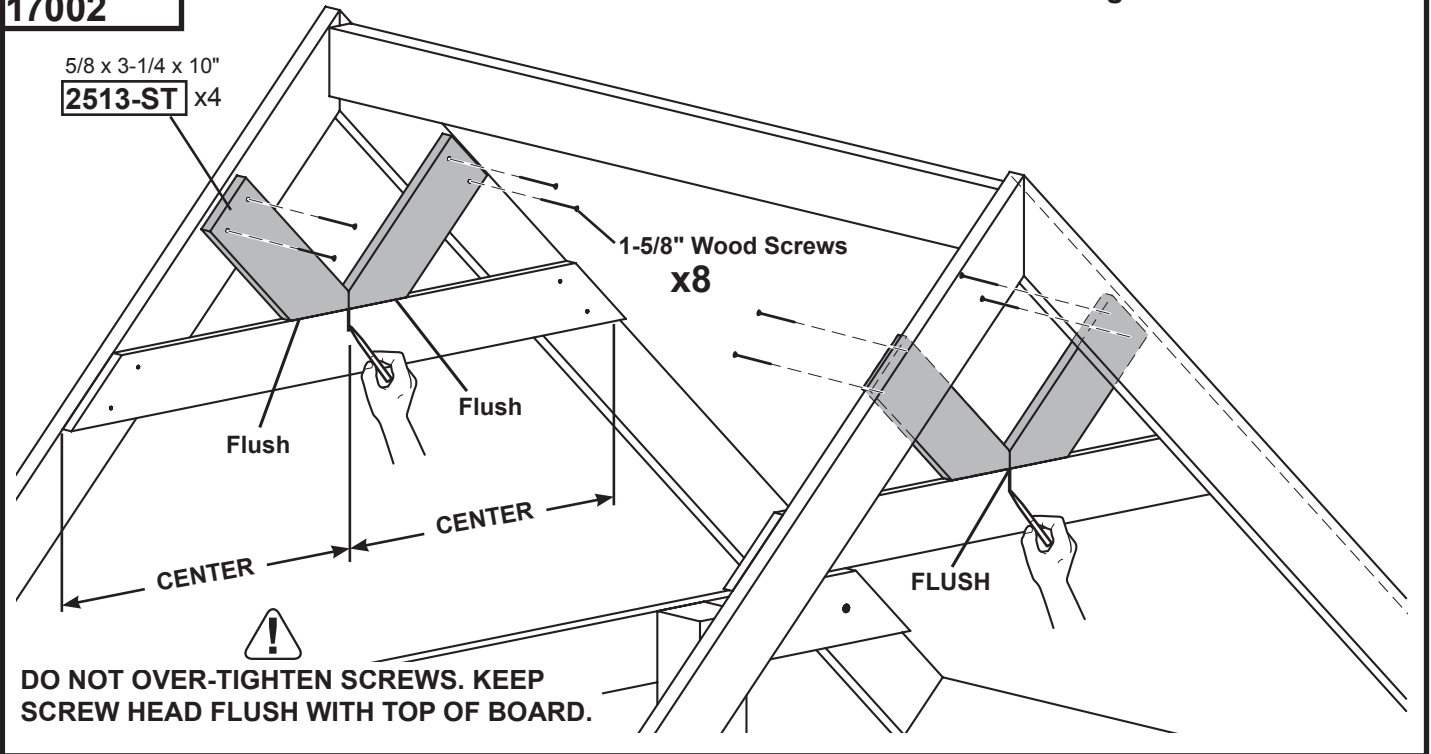
# ROOF/CANOPY

# INSTALL

HARDWARE  
BAGS  
NEEDED:  
**17002**

 Pre-drill 1/8" hole to prevent splitting.

Center 2513-ST on 2512-ST with mark and secure using two 1-5/8" screws.

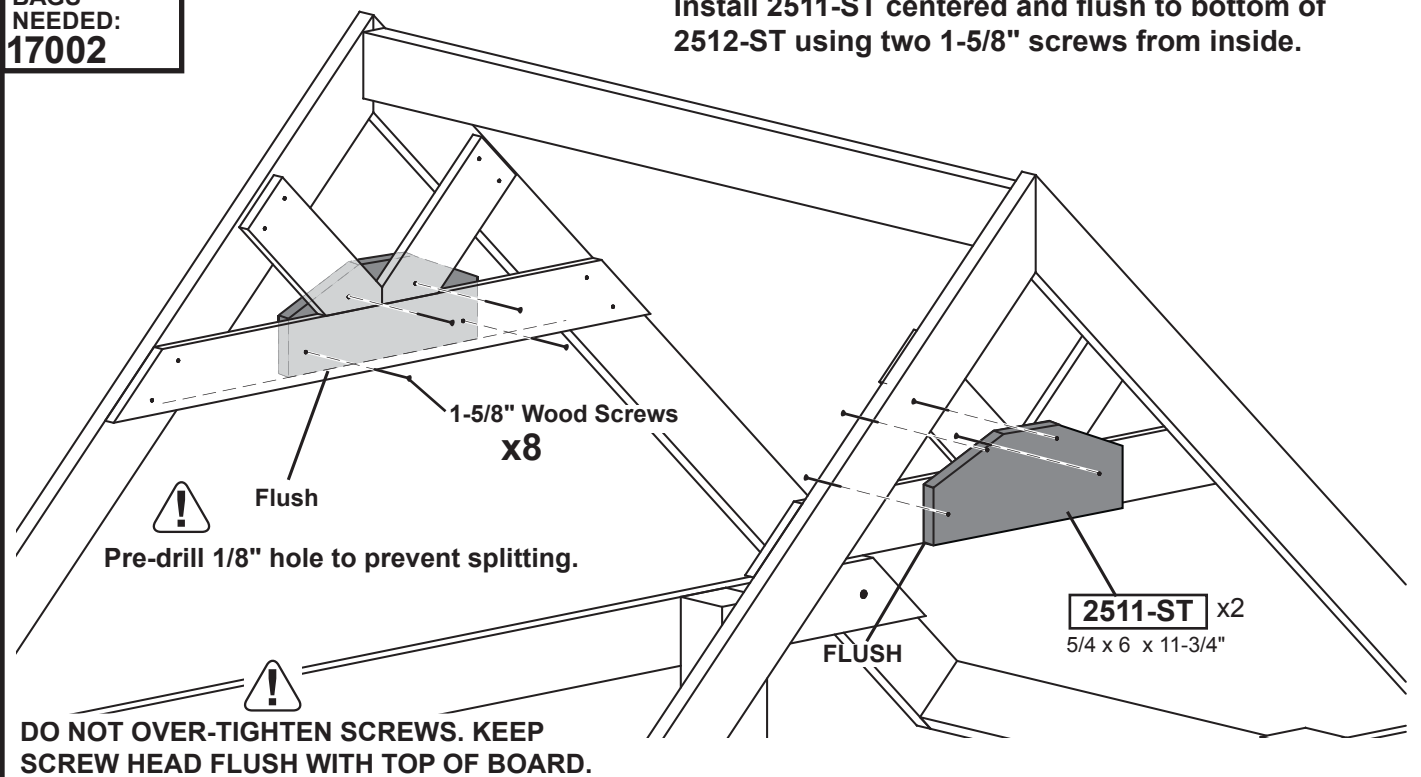


# ROOF/CANOPY

# INSTALL

HARDWARE  
BAGS  
NEEDED:  
**17002**

Install 2511-ST centered and flush to bottom of 2512-ST using two 1-5/8" screws from inside.



# TENT TARP

# INSTALL

HARDWARE  
BAGS  
NEEDED:  
**17007**

x1 **2410**

Fold tarp  
under Tent End Rail.

End Rail

Install screws  
through hem  
for strength.

3/4" Pan Head Screw (x10)

Washer (x10)

x10



INSTALL SCREWS WITH #3 PHILLIPS BIT



Pre-Drill 1/8" into end grain.  
3/4" Pan Head Screws

x8

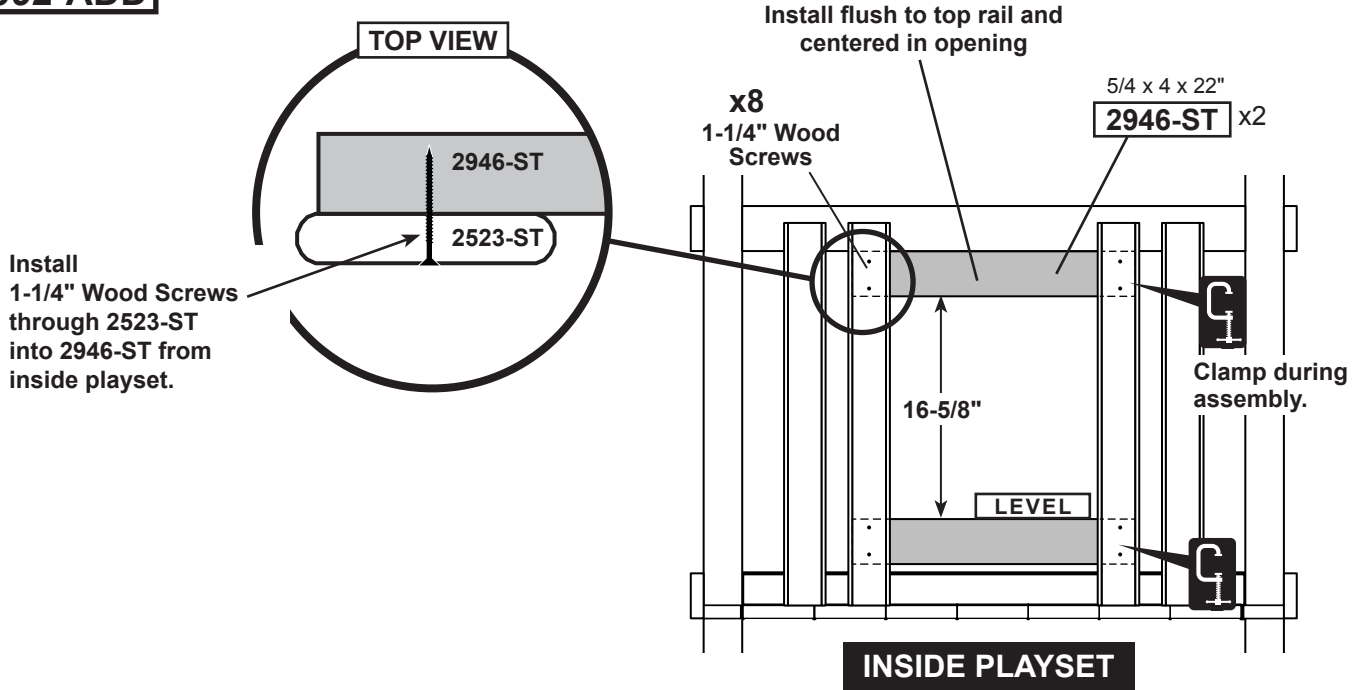
3/4" Pan Head Screw

Secure canopy to brace end grain on both  
sides using eight 3/4" pan head screws.

# TIC TAC TOE

# FRAMING

HARDWARE  
BAGS  
NEEDED:  
**2992-ADD**

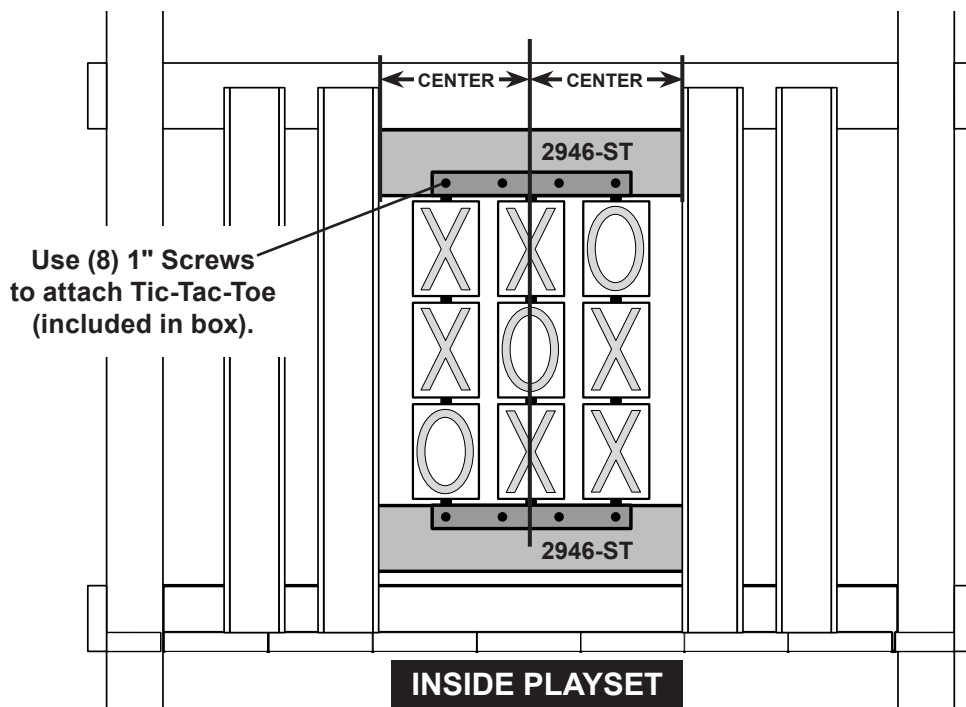
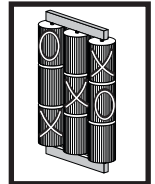


# TIC TAC TOE

# INSTALL

Mount Tic Tac Toe accessory after installing 2946-ST.

Refer to Tic Tac Toe  
instructions in  
manufacturer's box.



# SWINGS

# INSTALL

Attach a Quick-Clip at the end of each swing and trapeze chain. Then, using the Quick-Clips, attach the swings and trapeze to the swing brackets on the swing beam, as shown below.

 Tighten all Quick Clips using hand tools.

Quick Clip x6

Attach Playset Plaque using One 1" Philips Head Screw (provided) at each corner of Plaque.

2167 x1

 Always use Quick Clip between chain and swing hanger for all chain connections and adjustments.

WS4885  
SWING

WS4885  
SWING

x1 WS1501  
TRAPEZE

53"  
Adjust chains at Top

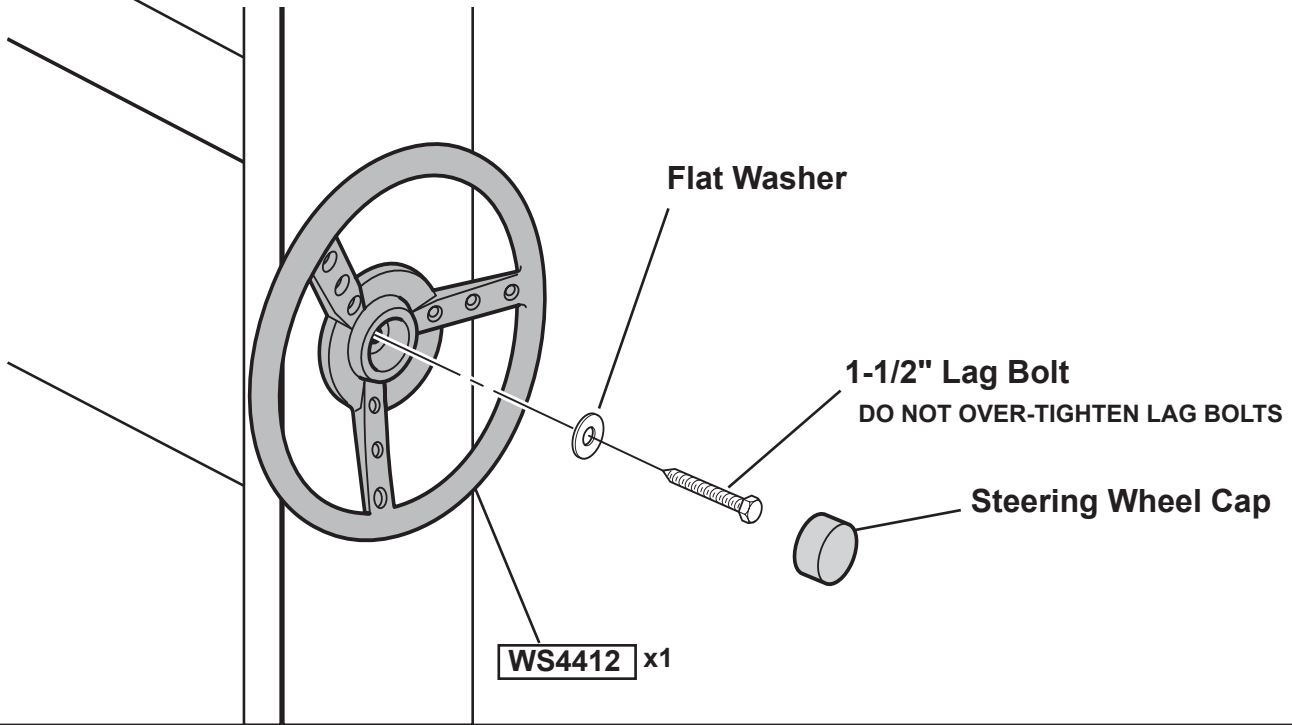
8" Minimum when occupied.  
Adjust chains at Top.

All Spring Clips must not be removable unless using tools.

# STEERING WHEEL

# INSTALL

Install on 2359-ST aligned with swing beam inside fort.

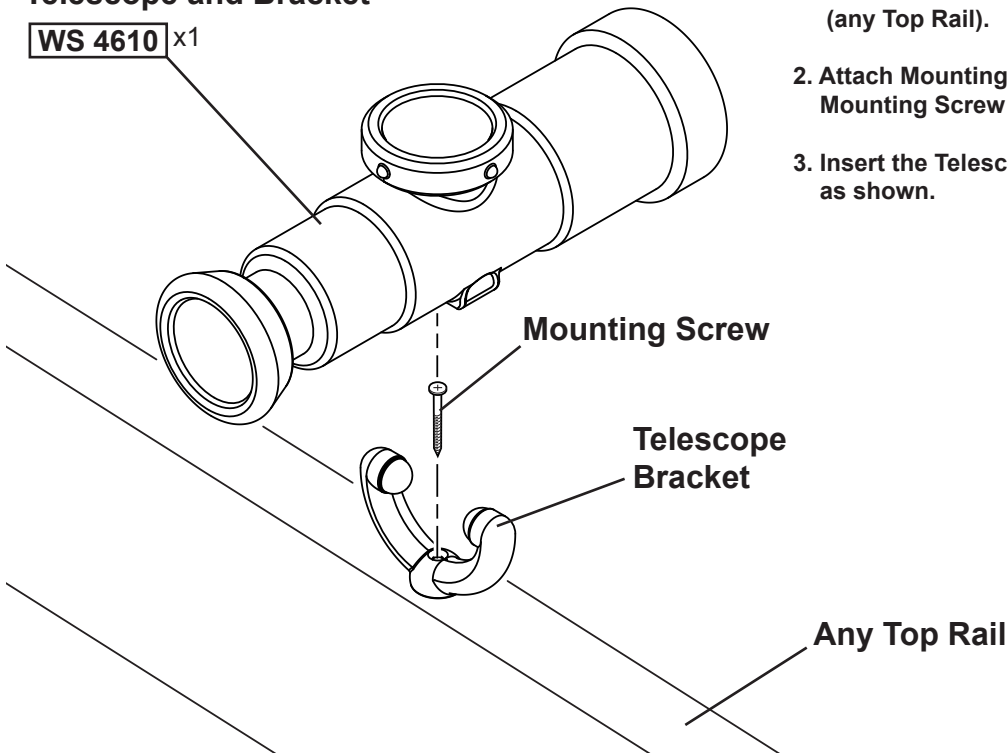


# TELESCOPE

# INSTALL

Telescope and Bracket

WS 4610 x1

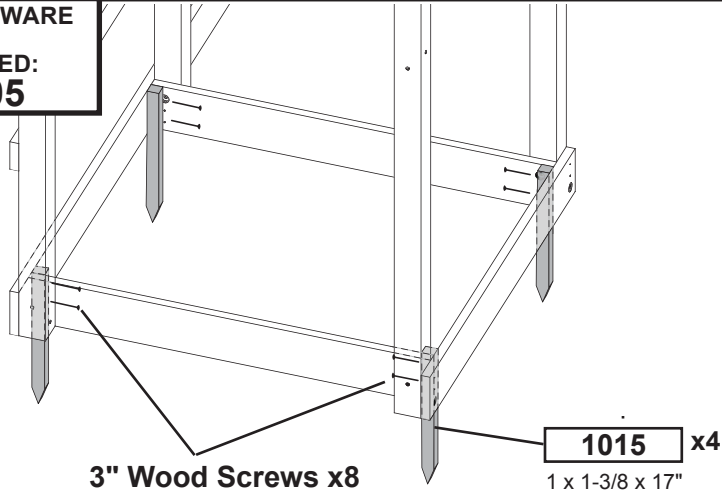


1. Position Mounting Bracket in desired location (any Top Rail).
2. Attach Mounting Bracket to Top Rail using the Mounting Screw provided.
3. Insert the Telescope into the Mounting Bracket as shown.

# STAKES

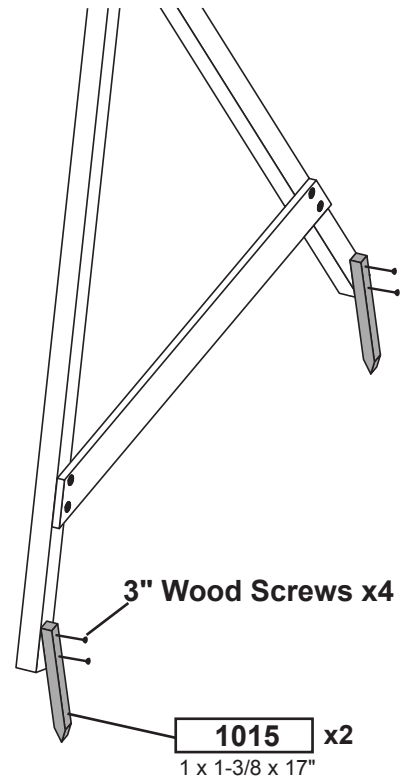
# INSTALL

**HARDWARE BAGS NEEDED: 17005**



Make sure all base pieces and uprights are resting flat on the ground.

It may be necessary to loosen the soil beneath Playset to make everything level.

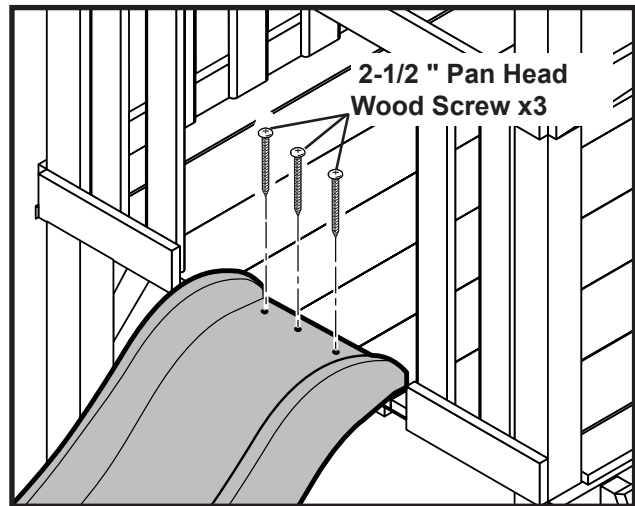
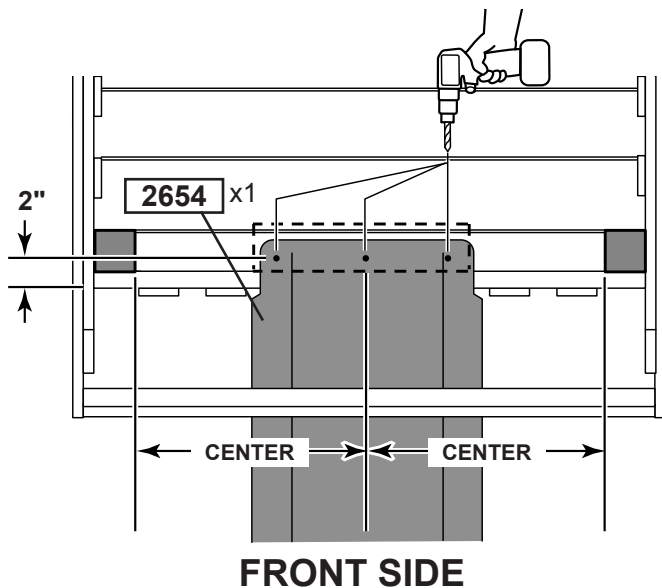


# SLIDE

# INSTALL

**NOTE: IF SLIDE HAS THREE HOLES, INSTALL SCREWS 2" FROM FRONT OF DECK.**

Locate Slide centered in the opening between Balusters on the FRONT SIDE of the Tower.



Pre-drill 1/8" pilot holes through Slide at dimples, through deck planks, and into lower slide support.

Ensure screws are installed through deck planks. Move slide slightly to avoid spaces between planks.



# SLIDE

# SURFACING MATERIAL (not supplied)

HARDWARE  
BAGS  
NEEDED:  
**17001**

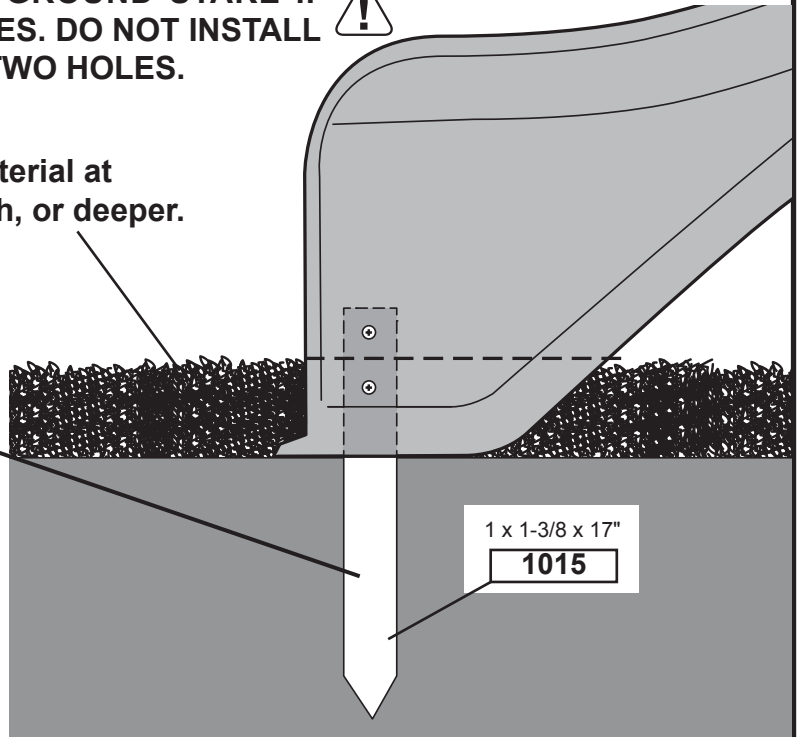


**NOTE: ONLY INSTALL GROUND STAKE IF SLIDE HAS THREE HOLES. DO NOT INSTALL IF SLIDE HAS TWO HOLES.**



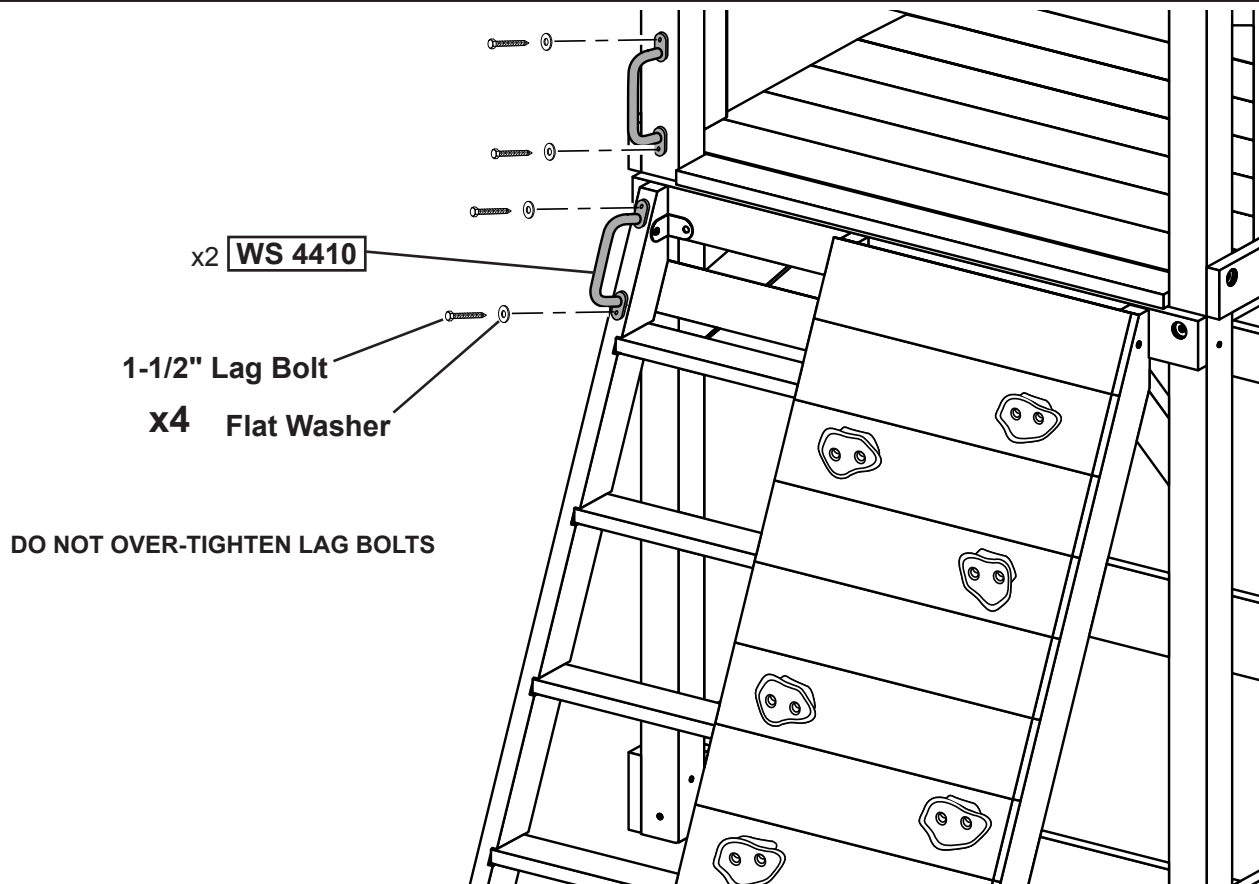
Apply Surfacing Material at recommended depth, or deeper.

Hammer 1015 Ground Stake into ground on either side of slide and attach to slide wall using (2) 1-1/4" Screws.



# SAFETY HANDLES

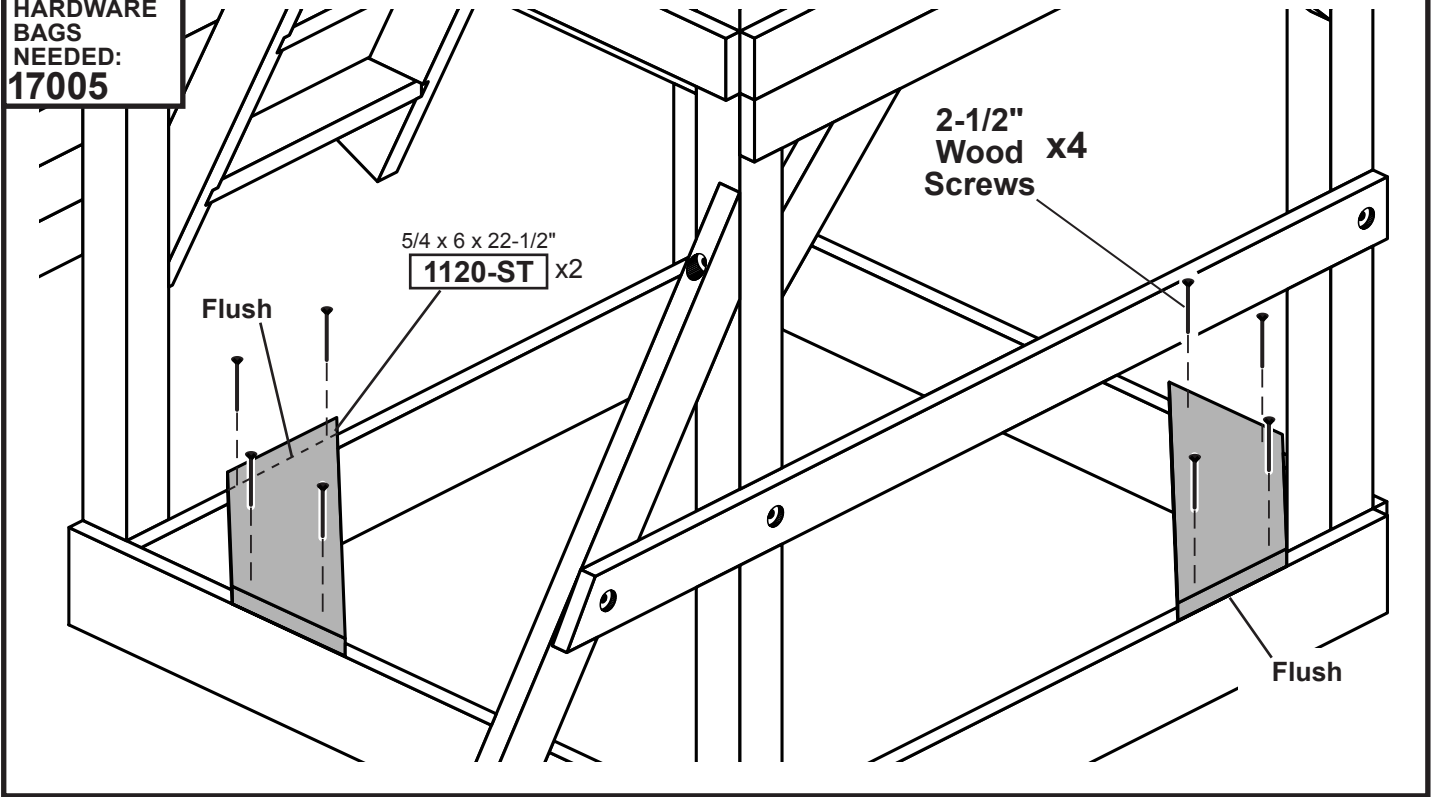
# INSTALL



# SANDBOX SEATS

# INSTALL

HARDWARE  
BAGS  
NEEDED:  
**17005**



This space intentionally left blank.

## Step 1

Feed top of Climbing Rope through front of Upper Rail (2526-ST) and tie a double knot on the back side (Fig. 1).

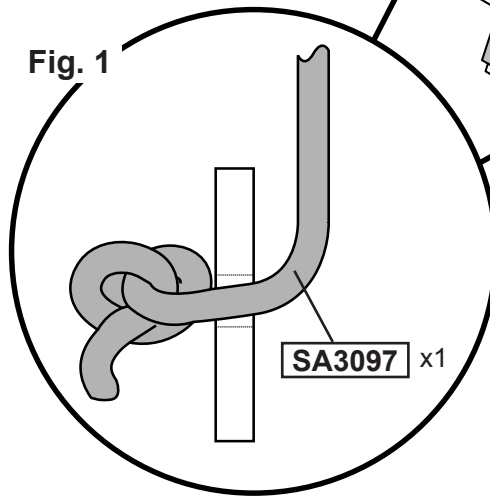
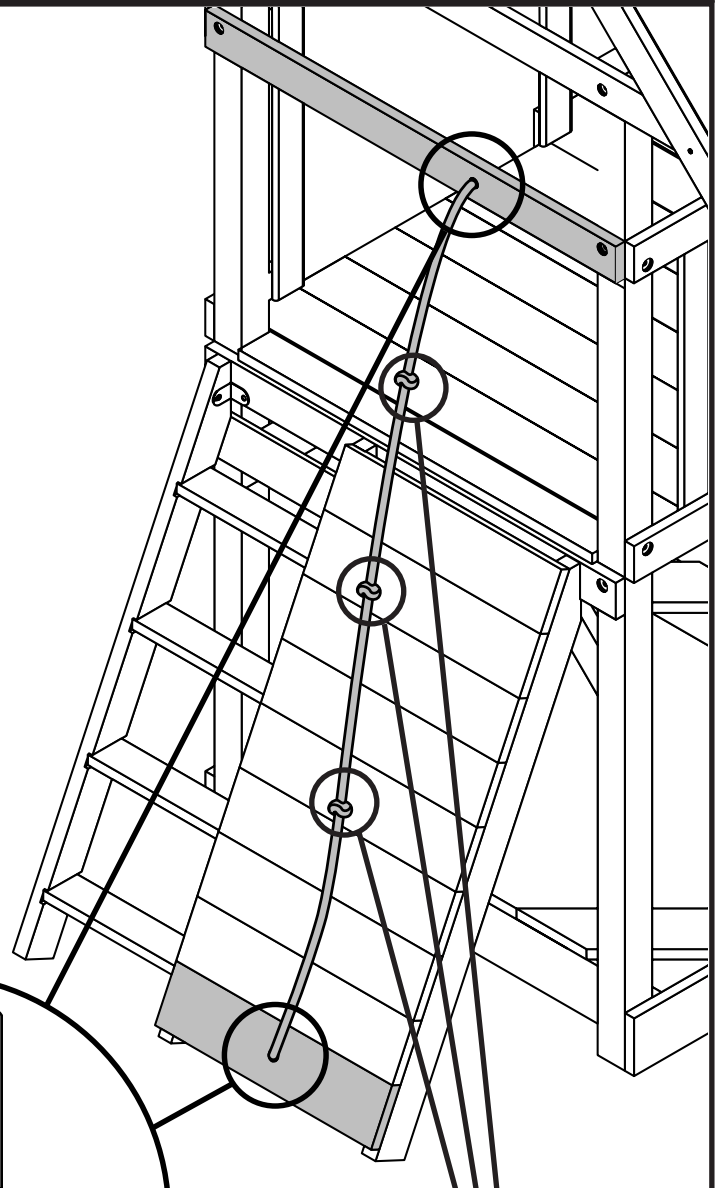
## Step 2

Feed lower end of Climbing Rope through hole in Rock Wall board (2527-ST) and tie a double knot on the back side (Fig. 1).

For Safety, insure that the rope is tight enough so that it can not be looped back on itself.

Keep tying double knots at the bottom end of rope until there is no remaining loose rope.

Do not cut ends of rope.



**OPTIONAL:**  
Tie several single knots in locations to allow logical hand-grab points.

(This page intentionally left blank.)

# WARRANTY

## WARRANTY REGISTRATION:

Please complete your warranty registration to properly validate your product warranty registration.  
Register your product online at: [www.OnlineWarranty.net](http://www.OnlineWarranty.net)

Backyard Play Systems warrants the following:

1. All wood and plastic (polymer) coated wood components have a Limited Lifetime Warranty.
  - Treated Wood - Backyard Play Systems will replace treated wood which becomes structurally unfit due solely to damage caused by fungal decay or termites.
  - Plastic (Polymer) Coated Woodguard TM – Backyard Play Systems will replace Woodguard TM components which become structurally unfit due solely to damage caused by fungal decay or termites. The plastic coating color can fade naturally over time. This warranty excludes color fading.
2. All non-wood components\* have a three year Limited Warranty.  
\*Ropes carry a one year Limited Warranty.
3. Installation labor has a three year Limited Warranty applicable on playsets installed by Backyard Play Systems. Labor warranty does NOT apply to Do-It-Yourself playset kits or kits installed by a third party.

Backyard Play Systems will repair, replace or pay for the affected part at our discretion. In no event shall Backyard Play Systems pay the cost of labor or installation or any other costs related thereto.

Non-residential use of the system is prohibited and will void this warranty as the system is designed for residential use only.

## Conditions

The warranty is effective only when:

1. The unit has been erected in accordance with the assembly instructions.
  - Plastic end caps and hole plugs have been properly installed on plastic coated wood.
2. The unit has been regularly and properly maintained and inspected.
3. The failure occurs when the unit is owned by the original purchaser.
4. This warranty is non-transferable
5. Backyard Play Systems has received a copy of your original proof of purchase with any claims in writing.
6. Backyard Play Systems has had reasonable opportunity during the sixty (60) days following the receipt of notification to inspect and verify the failure prior to commencement of any repair work.
7. "Significant color changes" to wood components is at the discretion of Backyard Products and require proof in the form of photographs or inspection by Backyard Play Systems.

Wooden components may have imperfections such as checks and knots. These are natural blemishes and imperfections which are inherent to wood. The imperfections not resulting in structural failure are not covered under this warranty.

## Requirements

To validate your warranty it is necessary to go online and register your product. And also to maintain and inspect your playset regularly. Regularly is defined as once per start and end of season.

## Claim Procedure

To make a claim under this warranty, you can either call 1-866-890-2211 or prepare a letter. Please have ready the information below when you call or include the information in writing:

1. The model and size of the product.
2. A list of the part(s) for which the claim is made.
3. Proof of purchase of the Backyard Play Systems item, as shown on the original invoice.
4. Run Code, as listed on the instructions.

Mail the above information to:

Backyard Play Systems  
Attn: Customer Service  
1000 Ternes Dr.  
Monroe, MI 48162

# WARRANTY

Please feel free to call our Consumer Help Line Toll Free

**1-866-890-2211**

**April through October M - F 8:00 AM to 6:00 PM EST**

**Saturday 8:30 AM to 4:30 PM EST**

**November through March M - F 8:00 AM to 5:00 PM EST**

No warranty is offered on the following: (1) equipment subject to abuse, negligence, improper installation, vandalism, acts of God, unauthorized alteration or attachment to equipment other than our own: or (2) equipment subjected to improper use, service or repair by customer or any third party.

**To the maximum extent permitted by law, this warranty and the remedies set forth herein are exclusive and expressly in lieu of all other warranties, expressed or implied, including warranties of merchantability or fitness for a particular purpose. If Backyard Play Systems cannot disclaim or exclude implied warranties under applicable law, then to the extent possible any claims under any such implied warranties shall expire on expiration of the applicable warranty period. Some states do not allow limitations on how long an implied warranty lasts, so the above limitation may or may not apply to you. Backyard Play Systems does not assume, or authorize any person to assume for us, any other liability in connection with the sale of our products.**

**To the maximum extent of the law, Backyard Play Systems assumes no responsibility for incidental or consequential damages which may arise from the purchase or use of our playset or equipment. Some states do not allow the exclusion or limitation of incidental or consequential damages, so the above limitation or exclusion may not apply to you.**

If any provision of this limited warranty is invalid, void or unenforceable in any instance or respect, the unenforceable provision will be severed and reformed to effect the intent of this limited warranty to the maximum extent possible, and the remaining provisions shall continue in full force and effect and shall be enforced to the full extent permitted by law.

This warranty gives you specific legal rights, and you may also have other rights which vary from state to state.

- WARRANTY TERMS MAY VARY OUTSIDE THE U.S.A.**
- This manual is your warranty certificate. Please retain your original proof of purchase and this manual for any warranty claims.