

**2491-SB**

**- NOTICE -**

***This playset product is not intended for public use. It is intended for residential application and is not warranted for public or commercial use.***



***Call Us First!***

***DO NOT RETURN TO STORE.***

**For immediate help with assembly or product information  
call our toll-free number:**

**1-866-890-2211**

**April through October M - F 8:00 AM to 6:00 PM EST**

**Saturday 8:30 AM to 4:30 PM EST**

**November through March M - F 8:00 AM to 5:00 PM EST**

**or email:**

***customerservice@backyard-play.com***

**Our staff is ready to provide assistance.**

(This page intentionally left blank.)

Customer Service  
1-866-890-2211  
1000 Ternes  
Monroe, MI 4816

# Backyard Play Systems Playset

Model:  
4141, 4142, 4143, 4144,  
4145, 4146, 6202, 6203,  
6204, 6205, 6206, 6207,

Recommended for Ages 3 to 11

**- BEFORE YOU BEGIN -**

## Tools Required

7/16" Socket  
1/2" Socket  
9/16" Socket

Ratchet

Socket  
Extension

Hammer

9/16" Combination  
Wrench

#2 Square Drive  
Bit (included)

Phillips Bit

Combo Drive Bit

Cordless Drill  
w/Charger

1/8" Drill Bit

7/16" Drill Bit

1/4" Drill Bit

Tape Measure

Level

C - Clamps

8' Step Ladder

### First...

- Check with your homeowner's association before assembling.
- Read instructions thoroughly before you begin. If you have purchased accessories to accompany this play set, please read all installation instructions before beginning assembly of this structure.

### Check All Parts

- If a part is missing, circle the part in question and call.

### Important

- In a drawing, a dotted line represents a part hidden from view (like a part under a panel).

### Adult Assistance required

- Assistance is necessary to handle, fit, and secure some components.

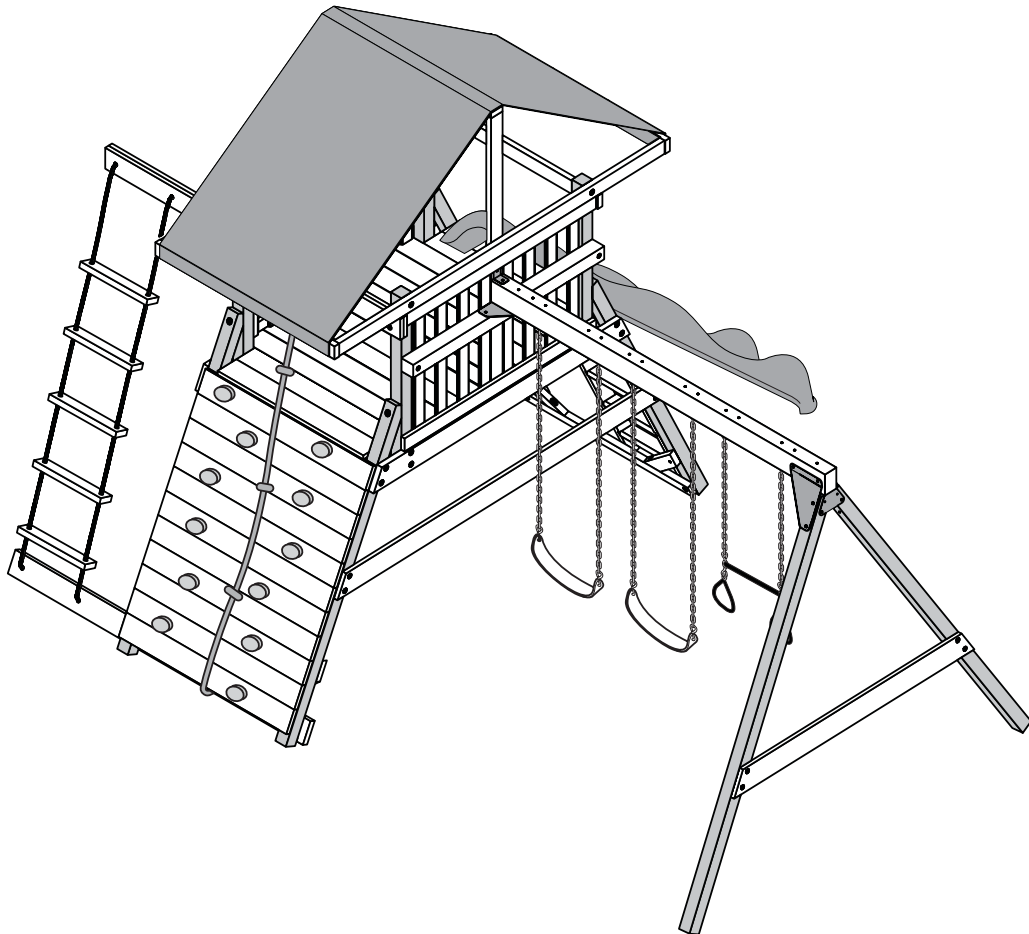
### Squareness is very Important!

Start with a level surface and keep 90° corners and 90° perpendiculars throughout the assembly to ensure all components fit together.

### Safety!

- Check for protruding screws and bolts, verify all screw and bolt lengths during assembly.

**Always wear OSHA-APPROVED safety glasses throughout assembly process.**



**- NOTICE -**

**This playset product is not intended for public use. It is intended for residential application and is not warranted for public or commercial use.**

Your premium playset is manufactured from wood which has many natural characteristics and blemishes that may be present in some of the pieces in your playset. These natural characteristics may include knots or minor cracks/splits. All individual parts have been cut to provide a smooth and safe surface. All parts have been inspected to assure we pack only the safest, most durable wood product. Any minor blemishes in your playset will not affect the strength, durability, or structural integrity of the finished product. Our limited warranty does not cover the imperfections not resulting in structural failure.

(This page intentionally left blank.)

## ASSEMBLY SAFETY and HELPFUL HINTS

STOP!

**STOP!!!** Check all parts and hardware before beginning. If any parts are missing or damaged please circle and call the phone number listed.

STOP!

**DO NOT CONTACT THE STORE OR RETURN YOUR PLAYSET !**

**KEEP THIS INSTALLATION MANUAL FOR FUTURE CARE AND MAINTENANCE REFERENCE.**




**To aid in making your playset assembly easier, here is a listing of some helpful hints.**

- Wear safety glasses during drilling, assembly of your playset.
- Children should not be allowed in the playset assembly and build area.
- Note the hole orientation on parts to avoid having to take parts apart later.
- Some steps require the assistance of two people to ensure proper assembly, safety during assembly, as well as preventing any damage to the playset.



### **\*IMPORTANT HARDWARE INFORMATION\***



- All hex bolts and lag bolts require a lock washer or lock nut.
-   To properly install lock nuts, two to three threads must protrude past the lock nut and be exposed once tightened.
-   Due to wood characteristics and the manufacturing process hex bolts may protrude past a surface. If this condition occurs add additional supplied washers to eliminate bolt protrusion.
- To aid in proper assembly pound T-nuts into their respective hole prior to assembly
- Pound in T-nuts while the part is on the ground to ensure proper seating.
- Use a soft material under parts when pounding in T-nuts to ensure no scratching or de-facing of parts.
-   Make sure all fasteners used are as specified. Using a fastener not specified in a particular application may result in too much thread exposure or not enough thread engagement.

## SAFETY WARNINGS

STOP!

Please read carefully. Observing the following statements and warnings reduces the likelihood of serious or fatal injury.

STOP!

- This playset has been designed for use by a maximum of ten occupants at one time having a combined weight of 1,500 pounds. (This weight does not include occupants on the optional monkey bars, glider, or tire swing).
- This playset is recommended for children (3) through (11) years of age.
- On-site adult supervision for children of all ages is recommended.
- Instruct children not to walk close to, in front of, behind, or between moving items.
- Instruct children not to twist swing chains or ropes or loop them over the top support bar since this may reduce the strength of the chain or rope.
- Instruct children to avoid swinging empty seats.
- Teach children to sit in the center of the swings with their full weight on the seats.
- Instruct children not to use the equipment in a manner other than intended.
- Instruct children not to get off equipment while it is in motion.
- Parents should dress children appropriately (examples would include the use of well-fitting shoes and the avoidance of ponchos, scarves, and other loose-fitting clothing that is potentially hazardous while using equipment).
- Instruct children not to climb when the equipment is wet. Slippery surfaces may cause a hazard.
- Verify that suspended climbing ropes, chain, or cable are secured at both ends.
- Verify that suspended climbing ropes, chain, or cable cannot be looped back on itself.
- Instruct children not to attach items to the playground equipment that are not specifically designed for use with the equipment, such as, but not limited to, jump ropes, clothesline, pet leashes, cables and chain as they may cause a strangulation hazard.
- Instruct children to remove their bike or other sports helmet before playing on the playground equipment.
- Instruct children to not walk or run up slides.
- Instruct children to not pick up slides or ramps as this may cause damage or breakage.
- Place the equipment on level ground not less than six (6) feet from any obstructions. Be sure to look overhead for any obstructions above the playset.
- Do not use the equipment until fully erected per this playset instruction manual, bolts tightened and the playset is anchored to the ground.

### NOTICE:

**This playset product is not intended for public use. It is intended for residential application and is not warranted for public or commercial use.**

# MAINTENANCE

STOP!

**Periodic maintenance is required to ensure safe enjoyment of your playset and optional accessories.**

STOP!

**Observing the following procedures reduces the likelihood of serious or fatal injury.**



**Activity on your playset and optional accessories may loosen fasteners. Check all lock nuts, hex and lag bolts, quick clips, spring clips, acorn nuts, wood screws, and swing hangers for tightness and tighten as required. T-nuts should be inspected for full and proper seating into the wood.**

- Checking, splitting and surface cracking are characteristics of all wooden playsets. This is caused by varying seasonal temperatures and moisture conditions. To minimize this checking and/or cracking you may coat your playset with a water repellent.

## PLAYSET CHECKLIST

### At the beginning of each play season:

- Tighten all hardware.
- Lubricate all metallic moving parts per manufacturer's instructions.
- Check all protective coverings on bolts, pipes, edges, and corners. Replace if they are loose, cracked, or missing.
- Check all moving parts including swing seats, ropes, cables, and chains for wear, rust, or other deterioration. Replace as needed.
- Check metal parts for rust. If found, sand and repaint using a nonleaded-based paint meeting the requirements of 16 CFR 1303.
- Check all wood members for deterioration and splinters. Sand down splinters and replace deteriorating wood members.
- Reinstall any plastic parts, such as swing seats or any other items that were removed for the cold season.
- Rake and check depth of loose fill protective surfacing materials to prevent compaction and to maintain appropriate depth. Replace as necessary.

### Twice a month during play season:

- Tighten all hardware.
- Check all protective coverings on bolts, pipes, edges, and corners. Replace if they are loose, cracked, or missing.
- Rake and check depth of loose fill protective surfacing materials to prevent compaction and to maintain appropriate depth. Replace as necessary.

### Once a month during play season:

- Lubricate all metallic moving parts per manufacturer's instructions.
- Check all moving parts including swing seats, ropes, cables, and chains for wear, rust, or other deterioration. Replace as needed.
- At the end of each play season or when the temperature drops below 10°F remove plastic swing seats, tents, sandbox cover, tire swing, slide and other items as specified by the manufacturer and take indoors or do not use.
- Rake and check depth of loose fill protective surfacing materials to prevent compaction and to maintain appropriate depth. Replace as necessary.

**When you are ready to dispose of your playset, make sure that all metal, plastic and wood components are disposed of in accordance with local waste ordinances.**

**Buyer and/or owner should disassemble and dispose of the playground equipment in such a way that no unreasonable hazards will exist at the time the swing set is discarded. Do not burn your playset's preserved wood.**

# PLAYGROUND SURFACING MATERIALS

## SECTION 4 OF THE CONSUMER PRODUCT SAFETY COMMISSION'S OUTDOOR HOME PLAYGROUND SAFETY HANDBOOK<sup>9</sup>

### Select Protective Surfacing

One of the most important things you can do to reduce the likelihood of serious head injuries is to install shock-absorbing protective surfacing under and around your play equipment. The protective surfacing should be applied to a depth that is suitable for the equipment height in accordance with ASTM Specification F 1292. There are different types of surfacing to choose from; whichever product you select, follow these guidelines:

**NOTE:** Do not install home playground equipment over concrete, asphalt, or any other hard surface. A fall onto a hard surface can result in serious injury to the equipment user. Grass and dirt are not considered protective surfacing because wear and environmental factors can reduce their shock absorbing effectiveness. Carpeting and thin mats are generally not adequate protective surfacing. Ground level equipment – such as a sandbox, activity wall, playhouse or other equipment that has no elevated play surface – does not need any protective surfacing.

**Maximum fall height for this playset is 82”.**

### Loose-Fill Materials:

- ❑ Maintain a minimum depth of 9 inches of loose-fill materials such as wood mulch/chips, engineered wood fiber (EWF), or shredded/recycled rubber mulch for equipment up to 8 feet high; and 9 inches of sand or pea gravel for equipment up to 5 feet high. NOTE: An initial fill level of 12 inches will compress to about a 9-inch depth of surfacing over time. The surfacing will also compact, displace, and settle, and should be periodically refilled to maintain at least a 9-inch depth.
- ❑ Use a minimum of 6 inches of protective surfacing for play equipment less than 4 feet in height. If maintained properly, this should be adequate. (At depths less than 6 inches, the protective material is too easily displaced or compacted.)
- ❑ Use containment, such as digging out around the perimeter and/or lining the perimeter with landscape edging. Don't forget to account for water drainage. U.S. Consumer Product Safety Commission, Washington, D.C., 20207 or call the toll-free hotline :1-800-638-2772
- ❑ Check and maintain the depth of the loose-fill surfacing material. To maintain the right amount of loose-fill materials, mark the correct level on play equipment support posts. That way you can easily see when to replenish and/or redistribute the surfacing.
- ❑ **Do not** install loose fill surfacing over hard surfaces such as concrete or asphalt.

### Poured-In-Place Surfaces or Pre-Manufactured Rubber Tiles:

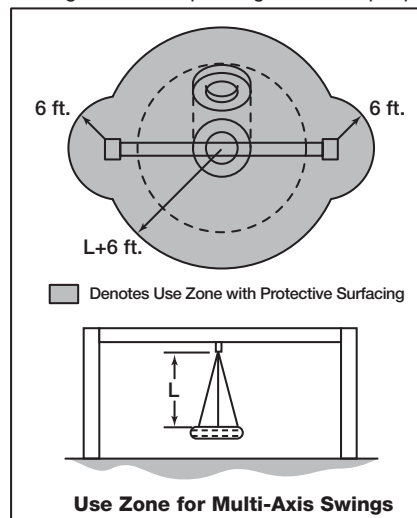
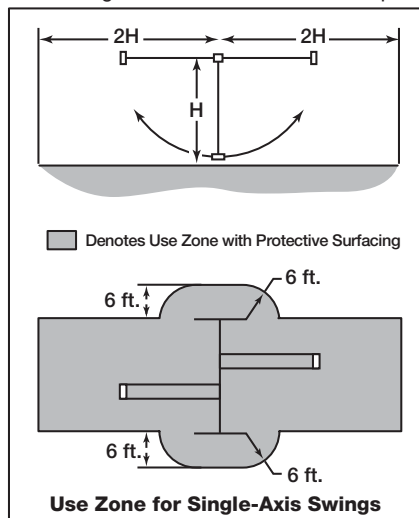
You may be interested in using surfacing other than loose-fill materials – like rubber tiles or poured-in-place surfaces.

- ❑ Installations of these surfaces generally require a professional and are not “do-it-yourself” projects.
- ❑ Review surface specifications before purchasing this type of surfacing. Ask the installer/manufacture for a report showing that the product has been tested to the following safety standard: ASTM F 1292 Standard Specification for Impact Attenuation of Surfacing Materials within the Use Zone of Playground Equipment. This report should show the specific height for which the surface is intended to protect against serious head injury. This height should be equal to or greater than the fall height – vertical distance between a designated play surface (elevated surface for standing, sitting, or climbing) and the protective surfacing below – of your play equipment.
- ❑ Check the protective surfacing frequently for wear.

### Placement

Proper placement and maintenance of protective surfacing is essential. Be sure to

- ❑ Extend surfacing at least 6 feet from the equipment in all directions.
- ❑ For to-fro swings, extend protective surfacing in front of and behind the swing to a distance equal to twice the height of the top bar from which the swing is suspended.
- ❑ For tire swings, extend surfacing in a circle whose radius is equal to the height of the suspending chain or rope, plus 6 feet in all directions.

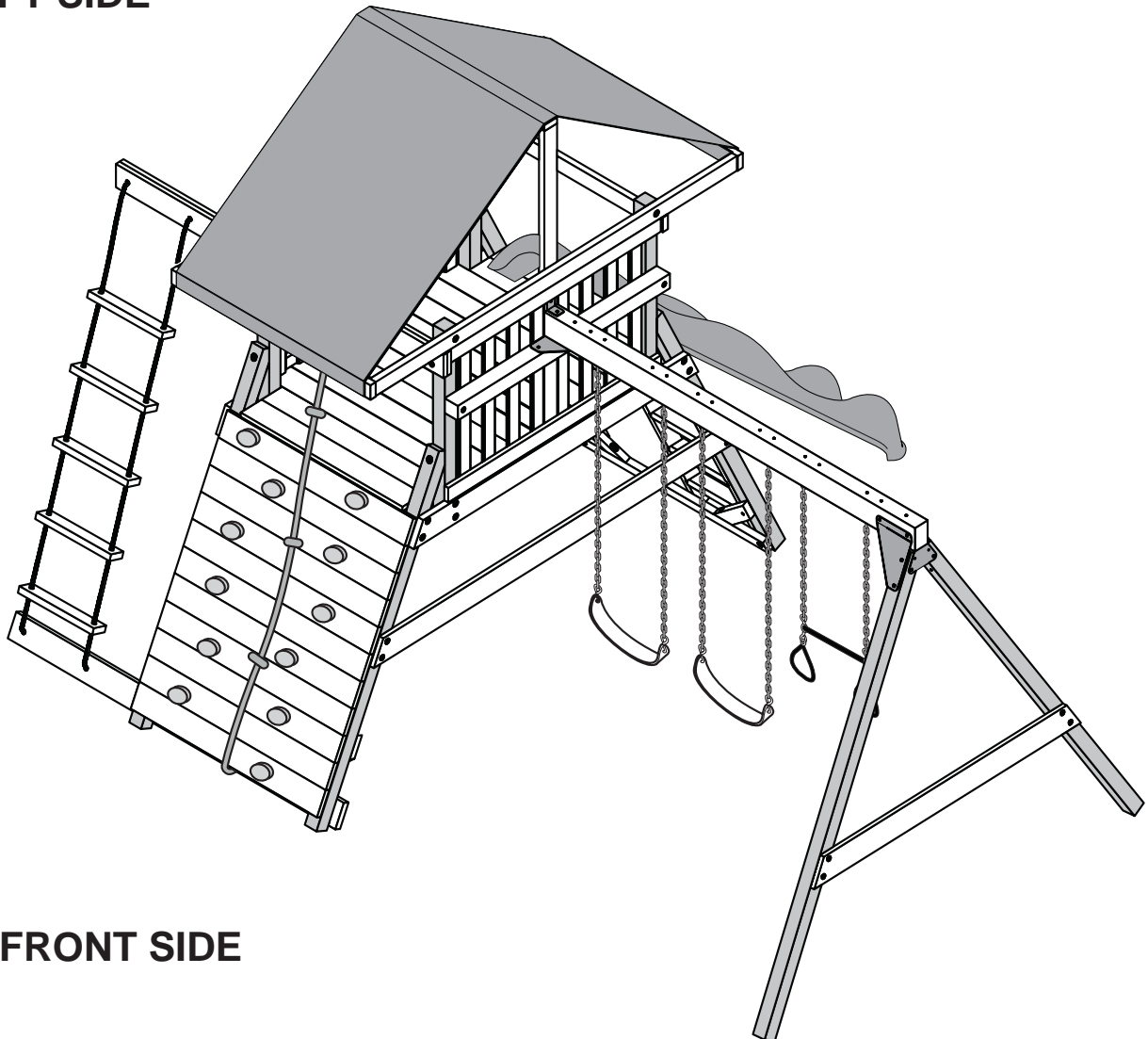


<sup>9</sup> This information has been extracted from the CPSC publications “Playground Surfacing—Technical Information Guide” and “Handbook for Public Playground Safety.” Copies of these reports can be obtained by sending a postcard to the: Office of Public Affairs, U.S. Consumer Product Safety Commission, Washington, D.C., 20207 or call the toll-free hotline: 1-800-638-2772



**\*Hint -**  
Throughout this manual references made to the Left Side, the Right Side and the Front of the playset serve as a consistent reminder to help with assembly:

**LEFT SIDE**



**FRONT SIDE**

**RIGHT SIDE**

# IMPORTANT!

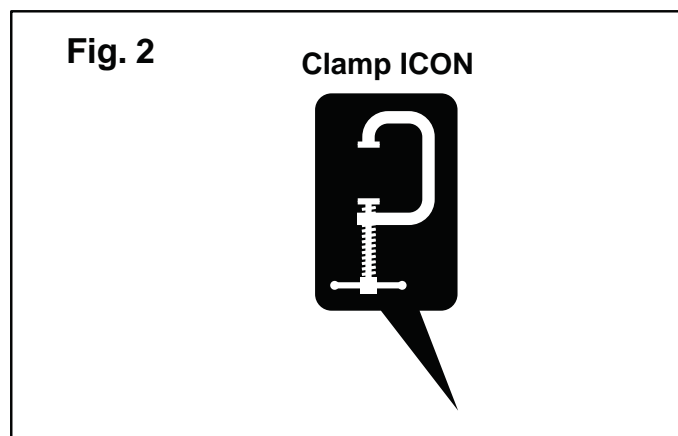
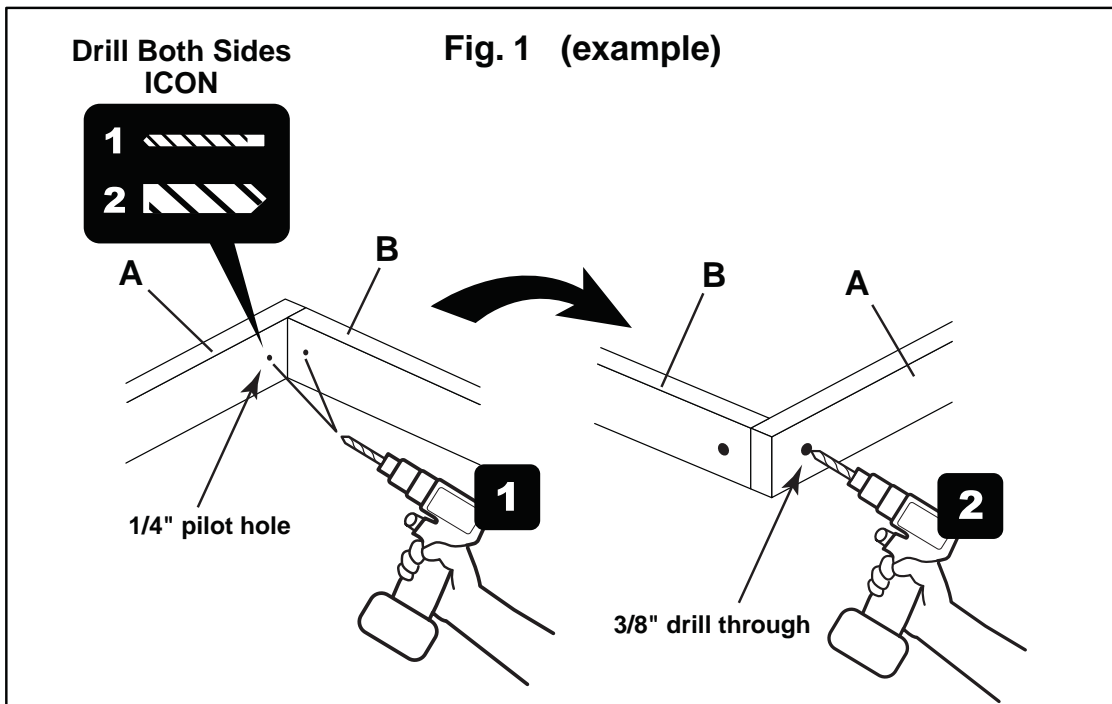
Use these Assembly Procedure Hints throughout the installation process.



1. All Lag Bolts must have pre-drilled holes. Use a 1/4" drill bit for all 3/8" Lag Bolts. Use a 3/16" drill bit for all 5/16" Lag Bolts. Pre-drilling pilot holes will help prevent Screws and Lag Bolts from breaking and wood from splitting during assembly.

### DO NOT OVER-TIGHTEN LAG BOLTS

2. In areas where drilling a larger 7/16" hole is necessary, such as when installing T-Nuts, (Fig. 1) the recommended procedure is to first drill-through a 3/16" pilot hole from the Hex Bolt side and then drill the larger 7/16" hole from the opposite T-Nut side. This will help avoid splintering the wood. The "Drill Both Sides ICON" (Fig. 1) will remind you to drill according to this procedure. Be sure to clean through-holes of debris before inserting Hex Bolts.
3. When assembling parts that are difficult to hold in position while pre-drilling pilot holes or assembling, use a clamp to keep parts aligned or in position. The "Clamp ICON" (Fig. 2) will advise you to use this procedure.



# BASE PARTS LIST

WOOD PARTS

<p>2 x 4 x 47-7/8"</p> <p><b>1021-ST</b> x1</p>	<p>2 x 4 x 96"</p> <p><b>1023-ST</b> x2</p>
<p>2 x 4 x 51"</p> <p><b>1022-ST</b> x2</p>	<p>2 x 4 x 69-1/2"</p> <p><b>1024-ST</b> x1</p>

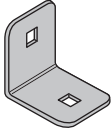
### WOOD SIZE CONVERSION CHART

Nominal Board Size	Actual Size
1" x 4"	3/4" x 3-3/8"
1" x 6"	3/4" x 5-3/8"
5/4" x 4"	1" x 3-1/2"
5/4" x 6"	1" x 5-1/2"
2" x 4"	1-3/8" x 3-3/8"
2" x 6"	1-3/8" x 5-3/8"
4" x 4"	3-1/4" x 3-1/4"

<p>2 x 4 x 65-1/8"</p> <p><b>2315-ST</b> x1</p>	<p>2 x 4 x 59-1/8"</p> <p><b>2316-ST</b> x1</p>	<p>5/4 x 6 x 95"</p> <p><b>2541-ST</b> x1</p>		
<p>5/8 x 3-1/4 x 33"</p> <p><b>2537-ST</b> x16</p>	<p>3 x 3 x 44-1/8"</p> <p><b>2310-W</b> x2</p>	<p>3 x 3 x 77"</p> <p><b>2325-W</b> x4</p>		
<p>3 x 3 x 44-1/8"</p> <p><b>2547-W</b> x2</p>	<p>1 x 4 x 56-1/2"</p> <p><b>1037-ST</b> x4</p>	<p>2 x 4 x 15"</p> <p><b>1053-ST</b> x1</p>	<p>2 x 4 x 15-3/8"</p> <p><b>1051-ST</b> x5</p>	
<p>2 x 6 x 75-1/2"</p> <p><b>1001-ST</b> x4</p>	<p>5/4 x 6 x 66-3/8"</p> <p><b>1085-ST</b> x1</p>	<p>3/4 x 2-1/2 x 59-1/2"</p> <p><b>2548-ST</b> x1</p>		
<p>3-3/8 x 3-3/8 x 56-1/4"</p> <p><b>2542-ST</b> x1</p>	<p>2 x 4 x 51"</p> <p><b>1009-ST</b> x2</p>	<p>5/4 x 6 x 47"</p> <p><b>1083-ST</b> x8</p>	<p>5/4 x 4-1/4 x 47"</p> <p><b>1093-ST</b> x1</p>	<p>5/4 x 6 x 41-3/4"</p> <p><b>2312-ST</b> x4</p>
<p>2 x 6 x 84"</p> <p><b>1088-ST</b> x1</p>	<p>5/4 x 6 x 84"</p> <p><b>2540-ST</b> x2</p>	<p>5/4 x 6 x 47"</p> <p><b>1084-ST</b> x11</p>		
<p>3-1/2 x 5-1/2 x 95"</p> <p><b>2749-W</b> x1</p>	<p>3 x 3 x 95"</p> <p><b>2525-W</b> x2</p>	<p>2 x 4 x 69-1/2"</p> <p><b>2546-ST</b> x1</p>		
<p>5/4 x 6 x 70-3/4"</p> <p><b>2506-ST</b> x1</p>	<p>2 x 4 x 18"</p> <p><b>1020-ST</b> x4</p>	<p>2 x 4 x 19"</p> <p><b>1025-ST</b> x5</p>	<p>1 x 1-3/8 x 17"</p> <p><b>1015</b> x7</p>	<p>2 x 4 x 22-7/8"</p> <p><b>2784-ST</b> x1</p>

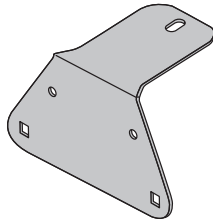
**BASE HARDWARE**

90° Angle Bracket Plate



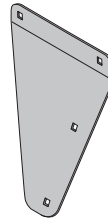
2485 x1

Swing Beam 90° Plate



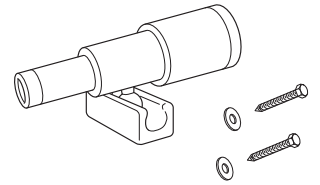
2449 x1

Swing Beam Angled Plate Left



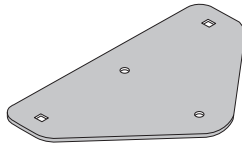
2448 x1

Telescope



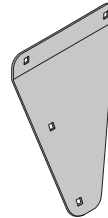
2073 x1

Swing Beam Flat Plate



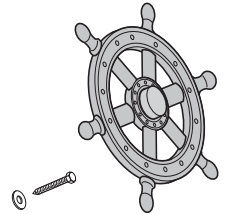
2411 x1

Swing Beam Angled Plate Right



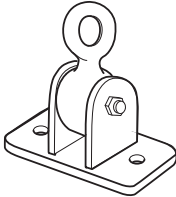
2447 x1

Steering Wheel



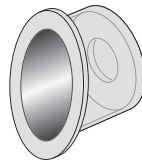
2603 x1

Swing Hanger



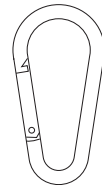
2433 x6

Plastic Hole-Plug Angled



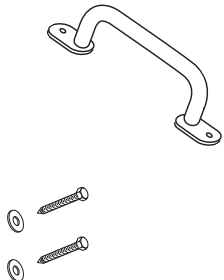
Angle plug x4

Spring Clip



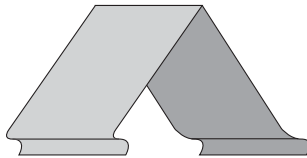
2004 x6

Safety Handle



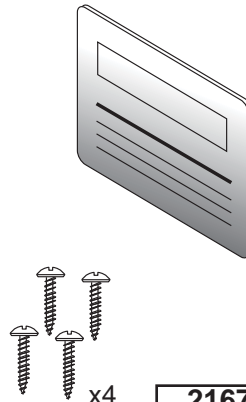
2405 x3

Tent Tarp



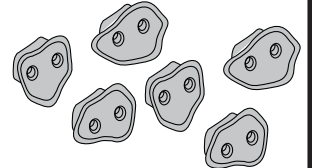
2404 x1

Plaque



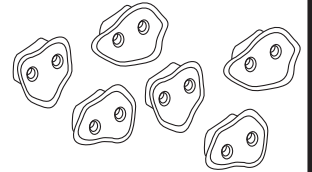
2167 x1

Climbing Rocks - Green



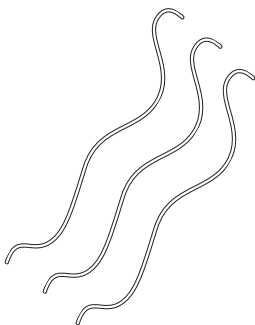
2450 x6

Climbing Rocks - Yellow



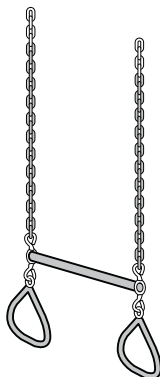
2551 x6

Rope



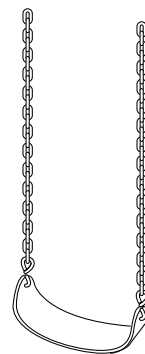
2438 x3

Trapeze Bar



2435 x1

Sling Swing



2434 x2

Slide

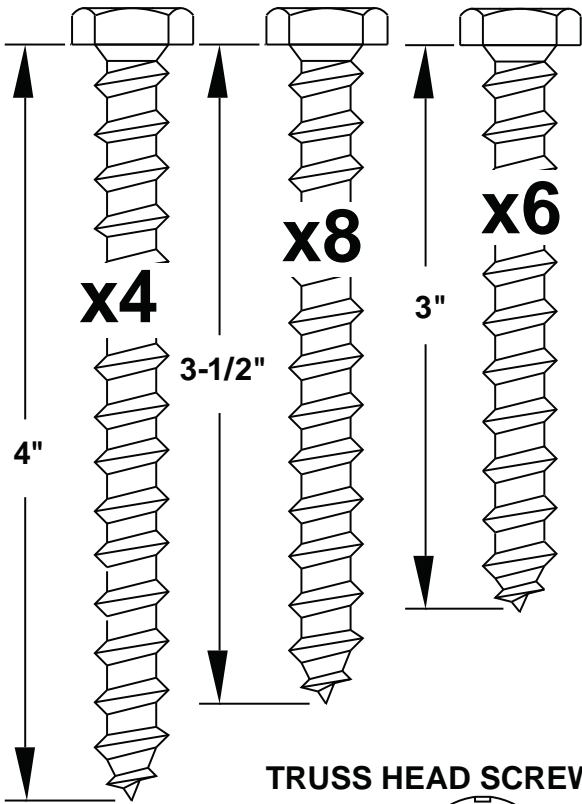


Green Slide x1

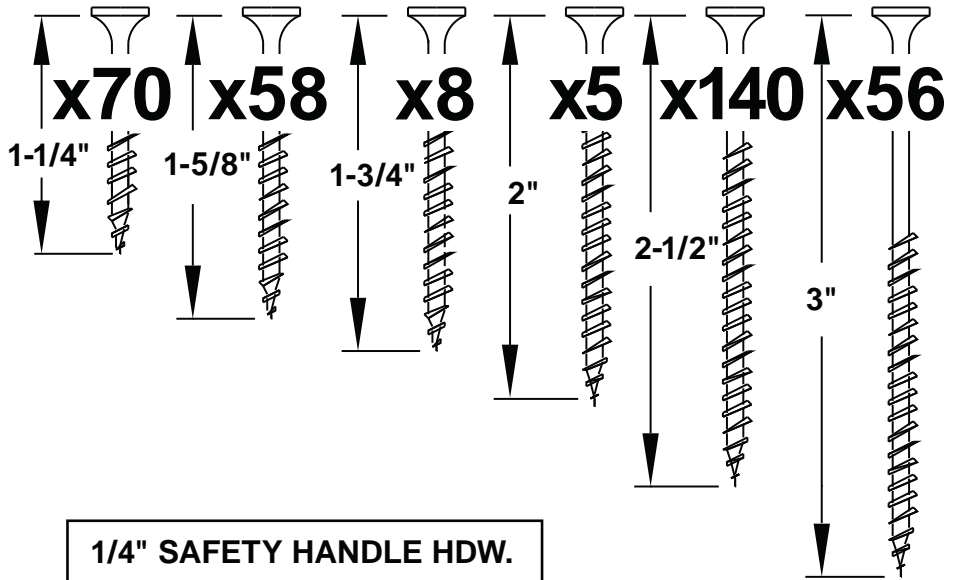
**BASE ACCESSORIES**

A C T U A L S I Z E S H O W N

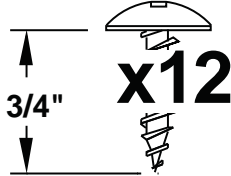
3/8" LAG BOLT



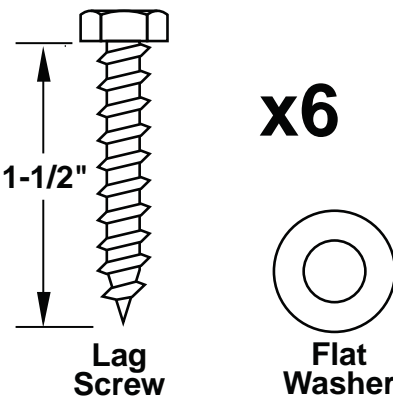
WOODSCREWS



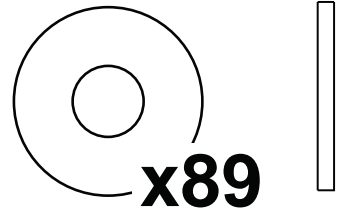
TRUSS HEAD SCREW



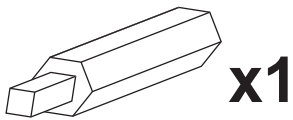
1/4" SAFETY HANDLE HDW.



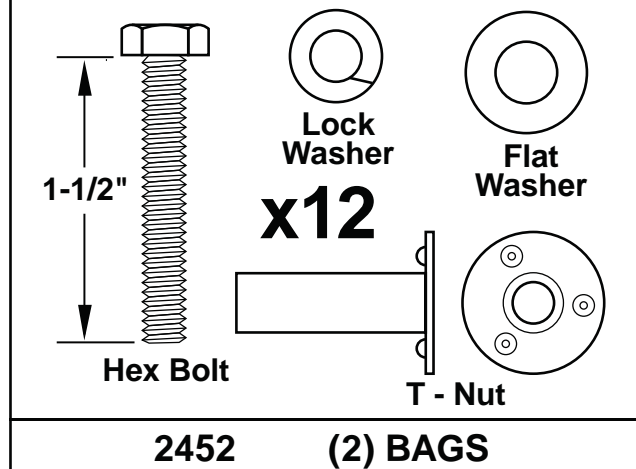
3/8" FLAT WASHER



#2 SQUARE DRIVE BIT



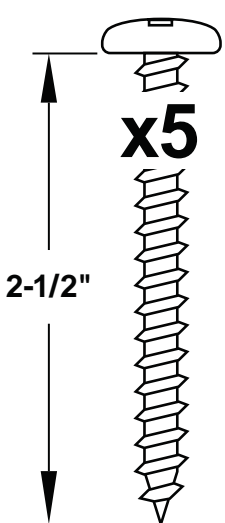
1/4" ROCK WALL HARDWARE



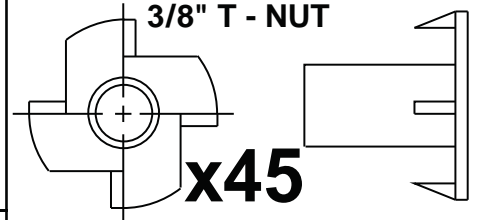
3/8" LOCK WASHER



2-1/2" PAN HEAD SCREW



3/8" T - NUT



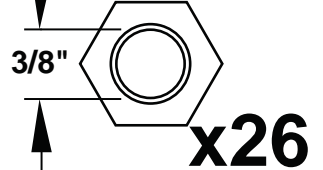
1/4" x 1" FENDER WASHER



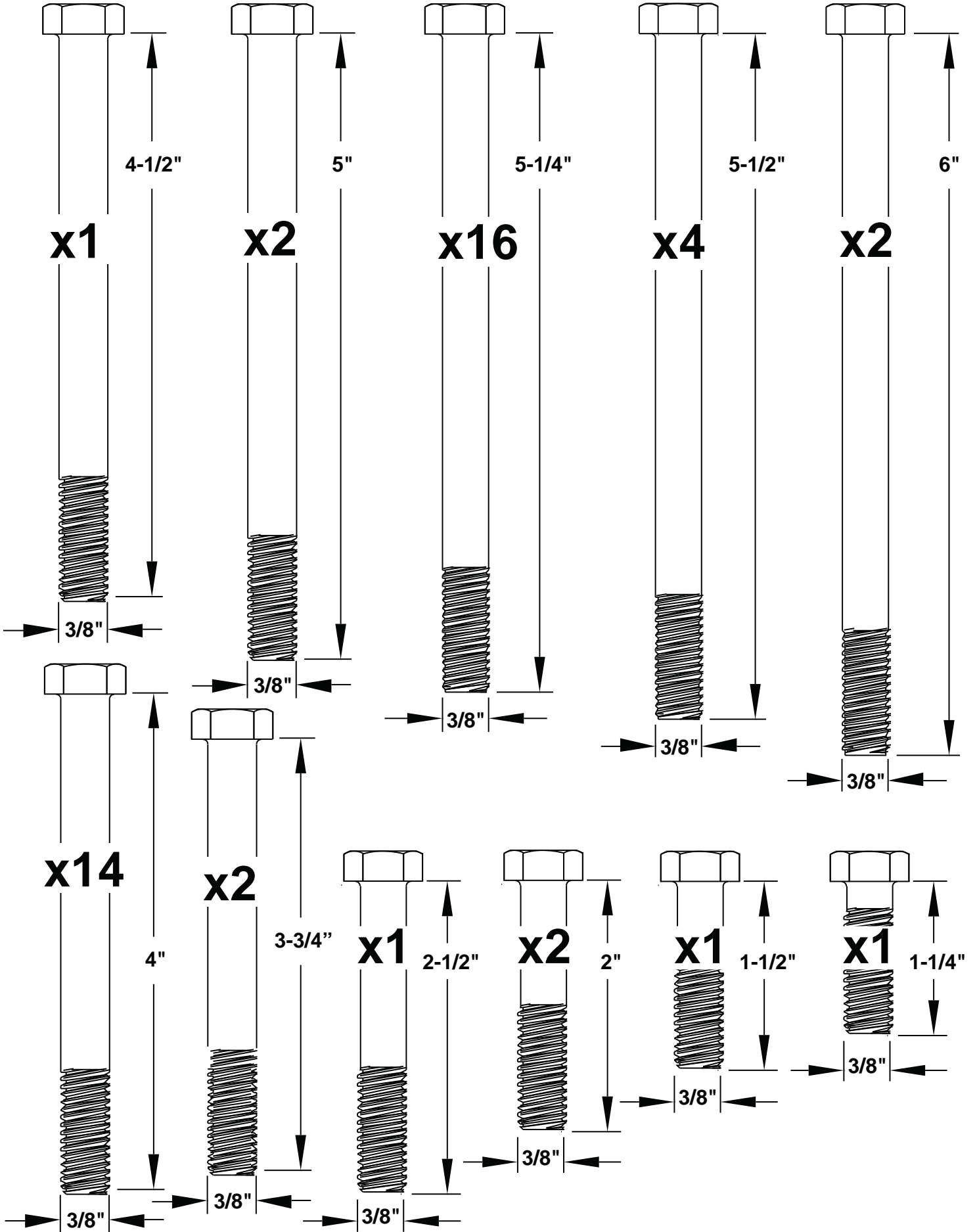
3/16" x 1" FENDER WASHER



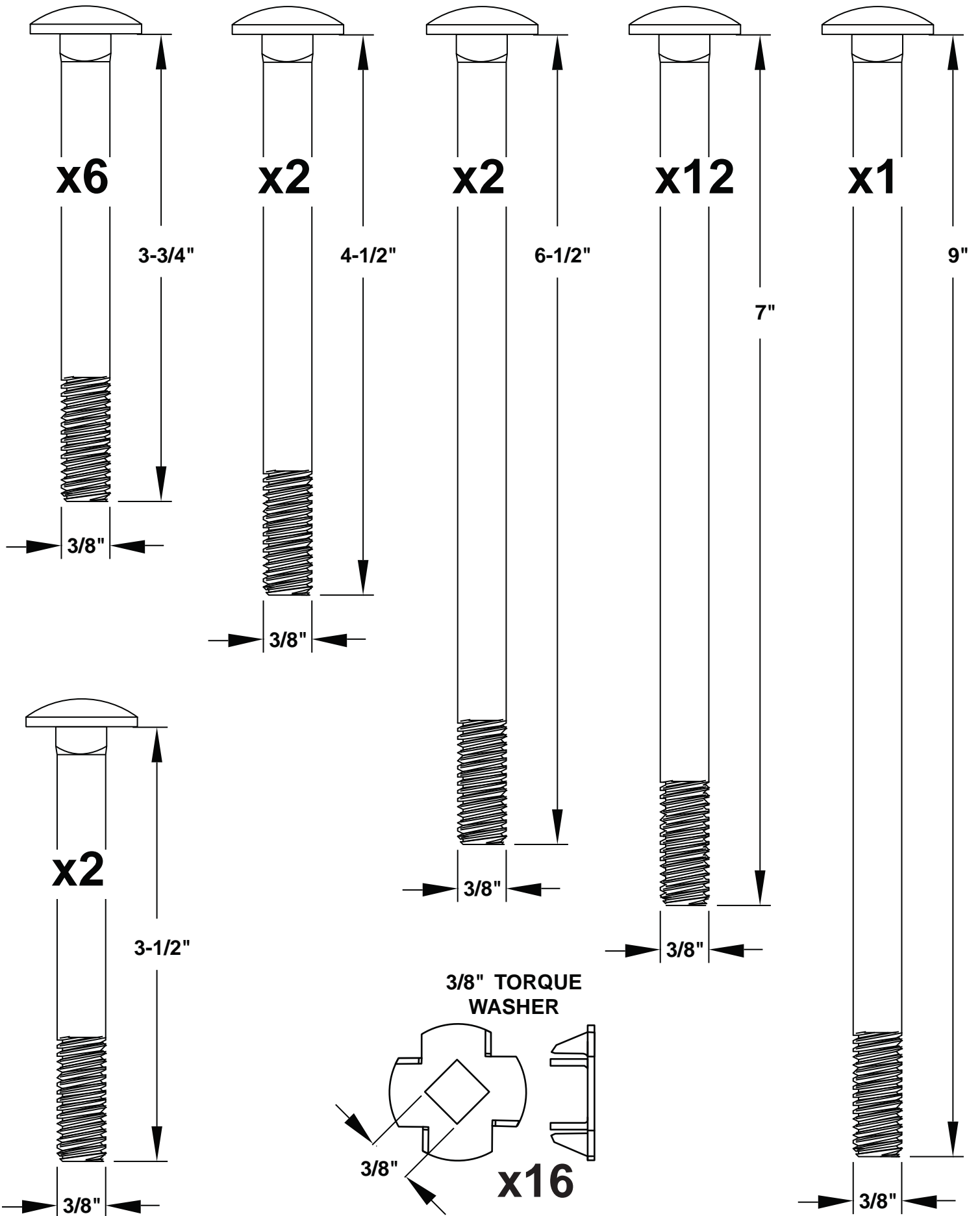
3/8" LOCK NUT



A C T U A L   S I Z E   S H O W N

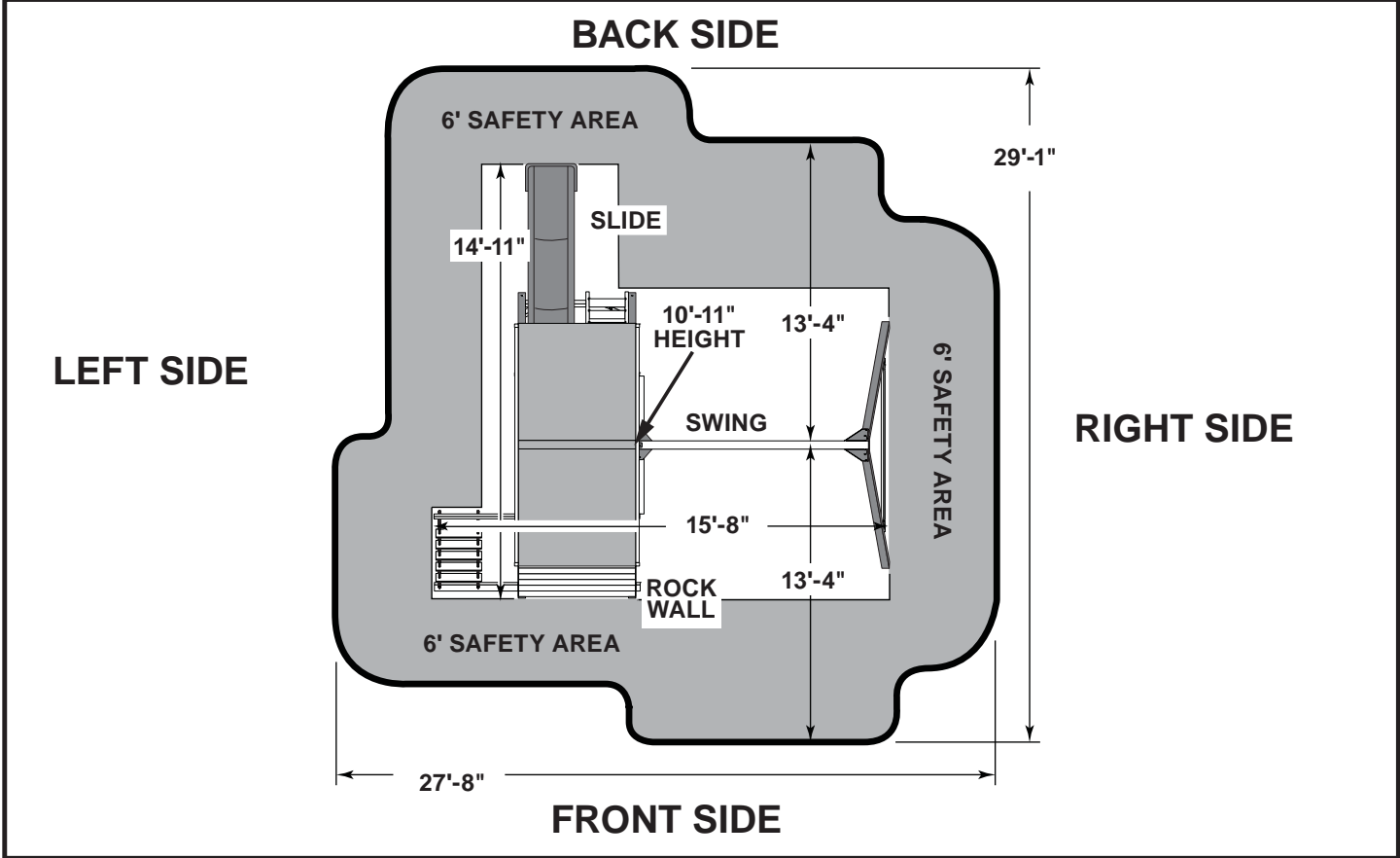


A C T U A L   S I Z E   S H O W N



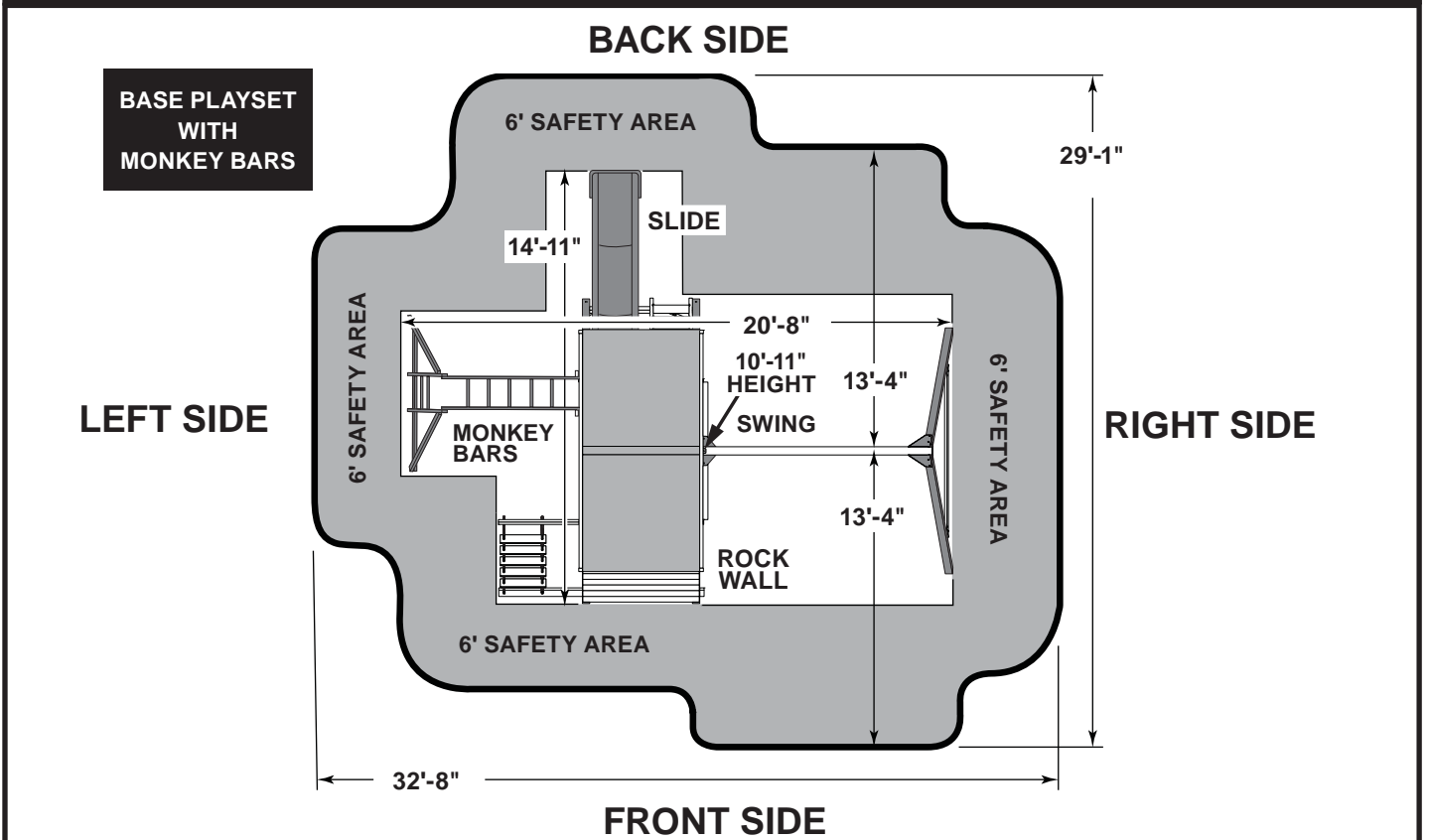
**SET-UP**

**ORIENTATION**



**SET-UP**

**ORIENTATION**

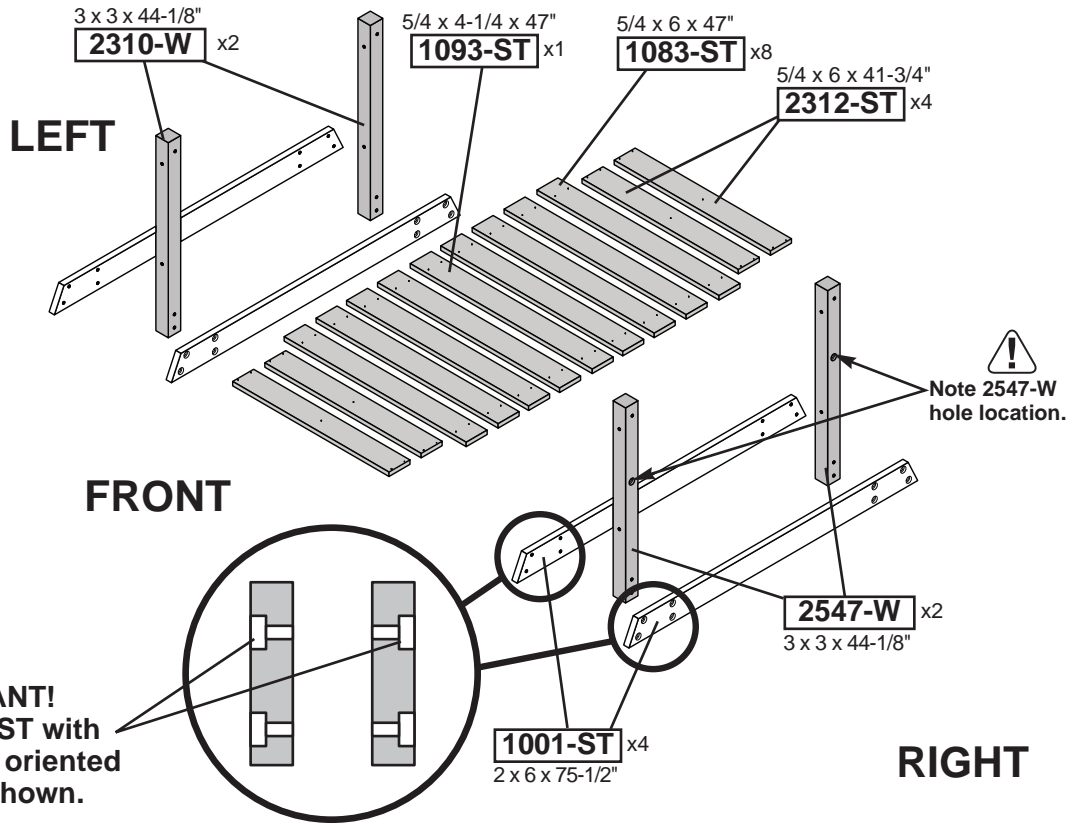




# FORT

# PARTS LAYOUT

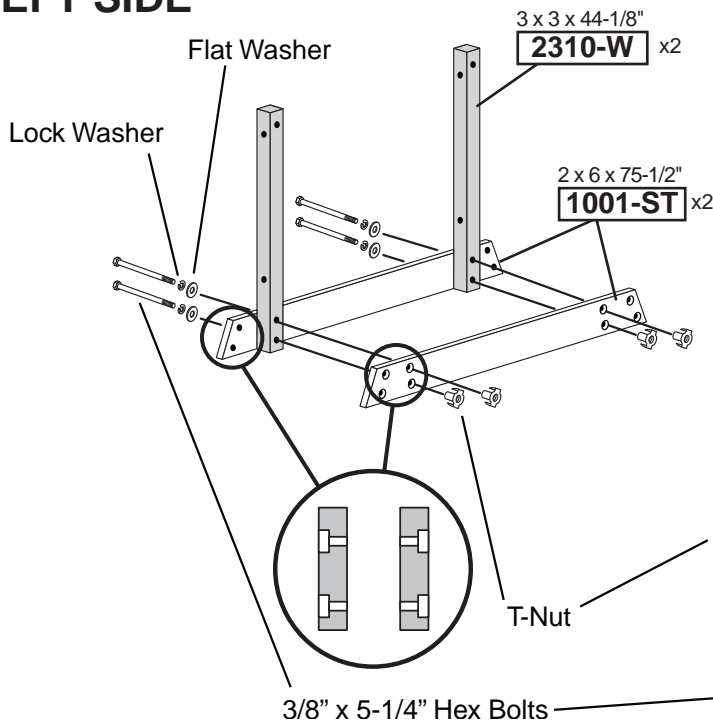
**\*IMPORTANT!**  
Lay Out Corner Posts  
as shown.



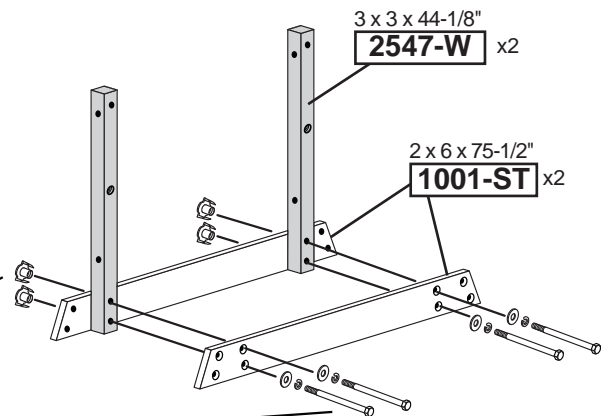
# FORT

# CORNER POSTS / FLOOR SUPPORTS

## LEFT SIDE



## RIGHT SIDE



# FORT

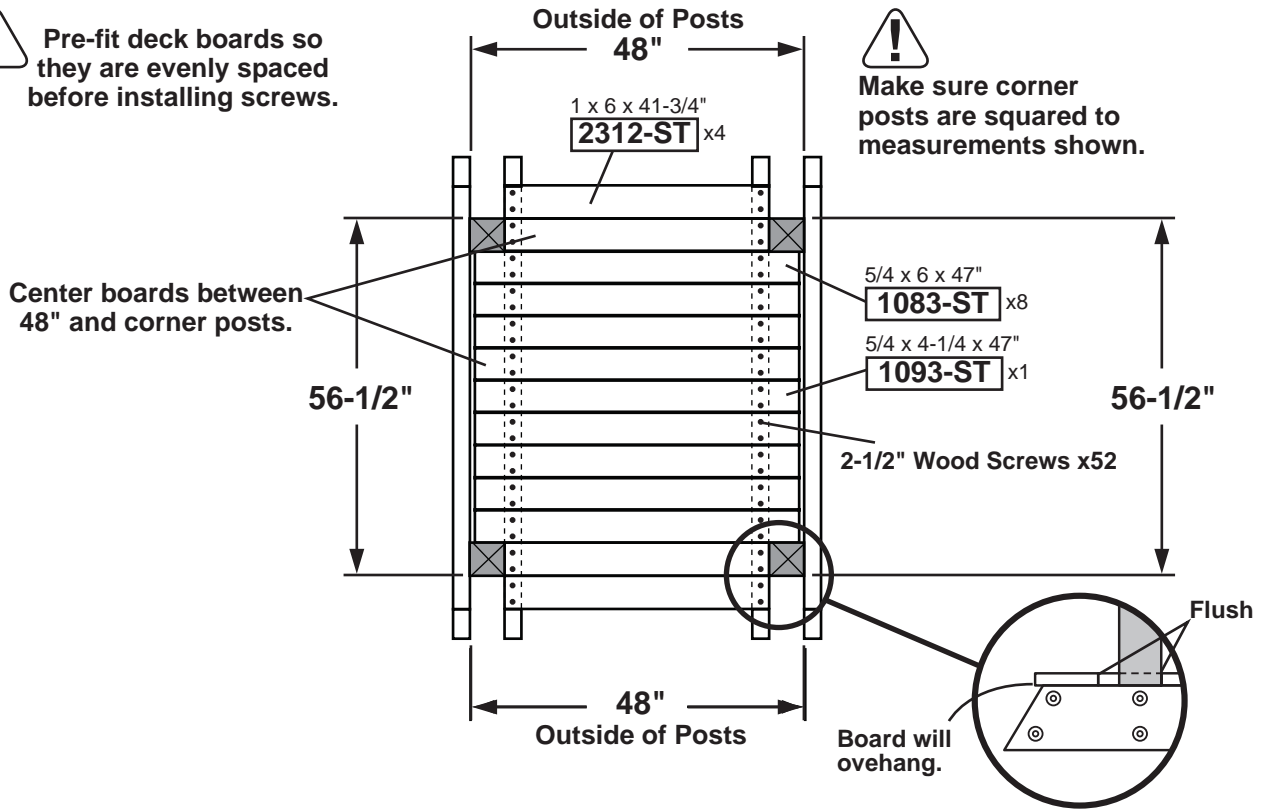
# CORNER POSTS / FLOOR



Pre-fit deck boards so they are evenly spaced before installing screws.

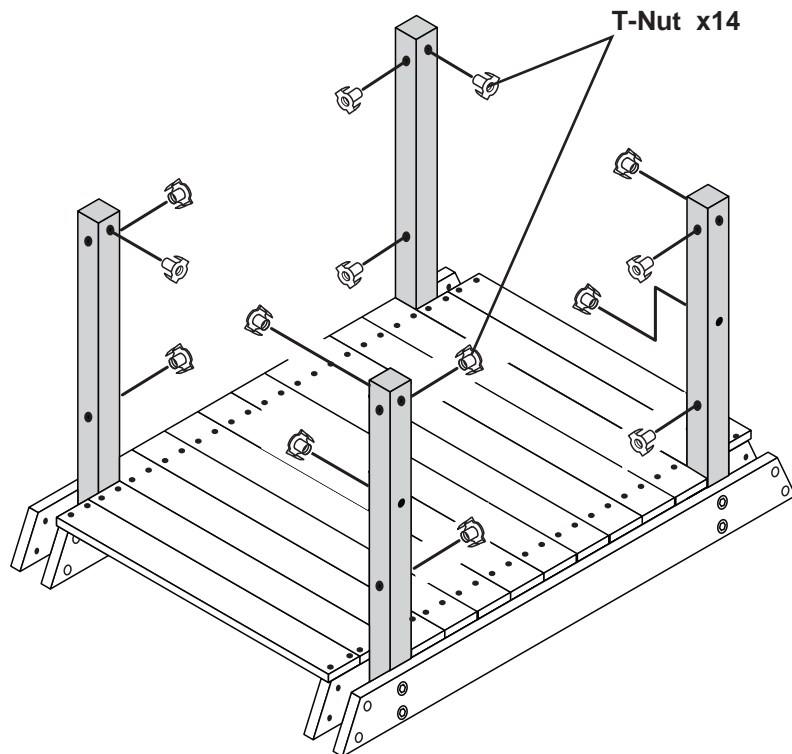


Make sure corner posts are squared to measurements shown.



# FORT

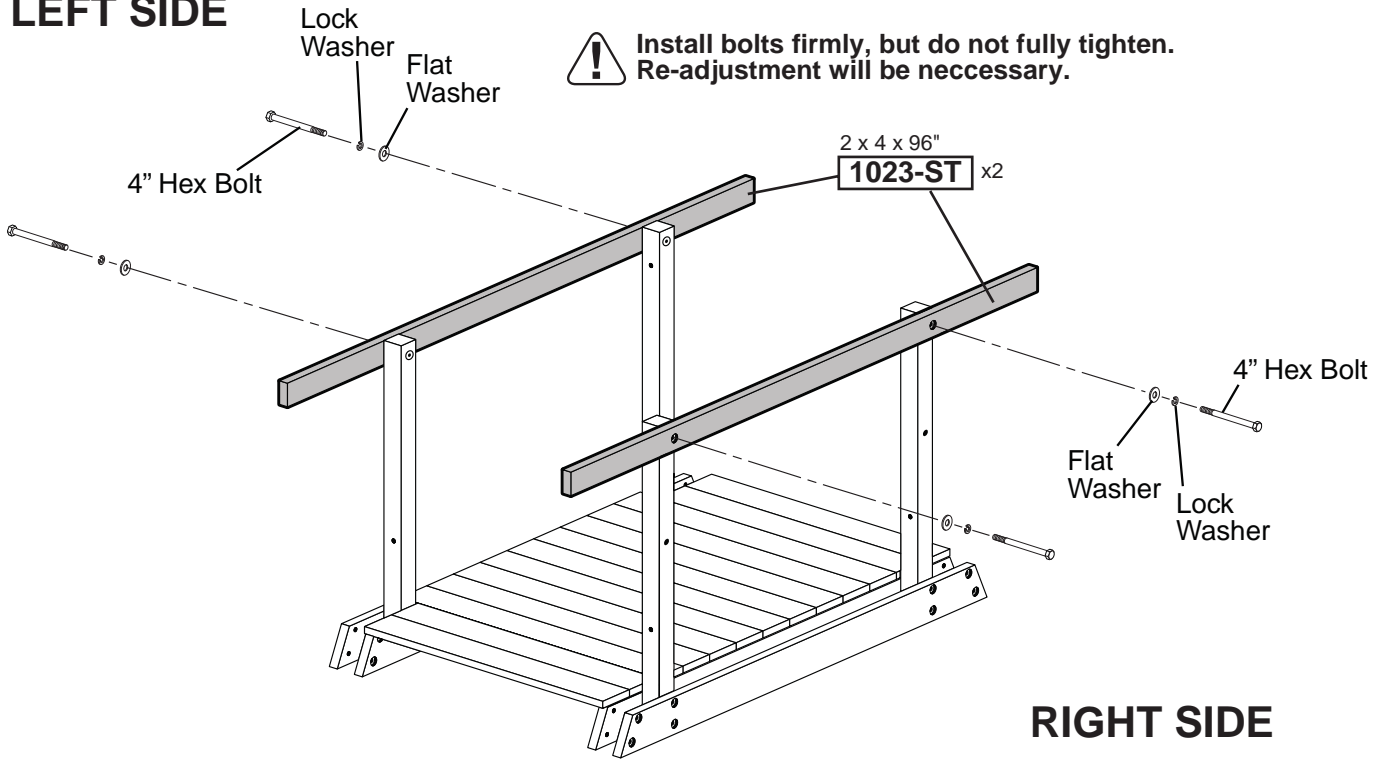
# CORNER POSTS / FLOOR



# FORT

# TENT SIDE RAILS

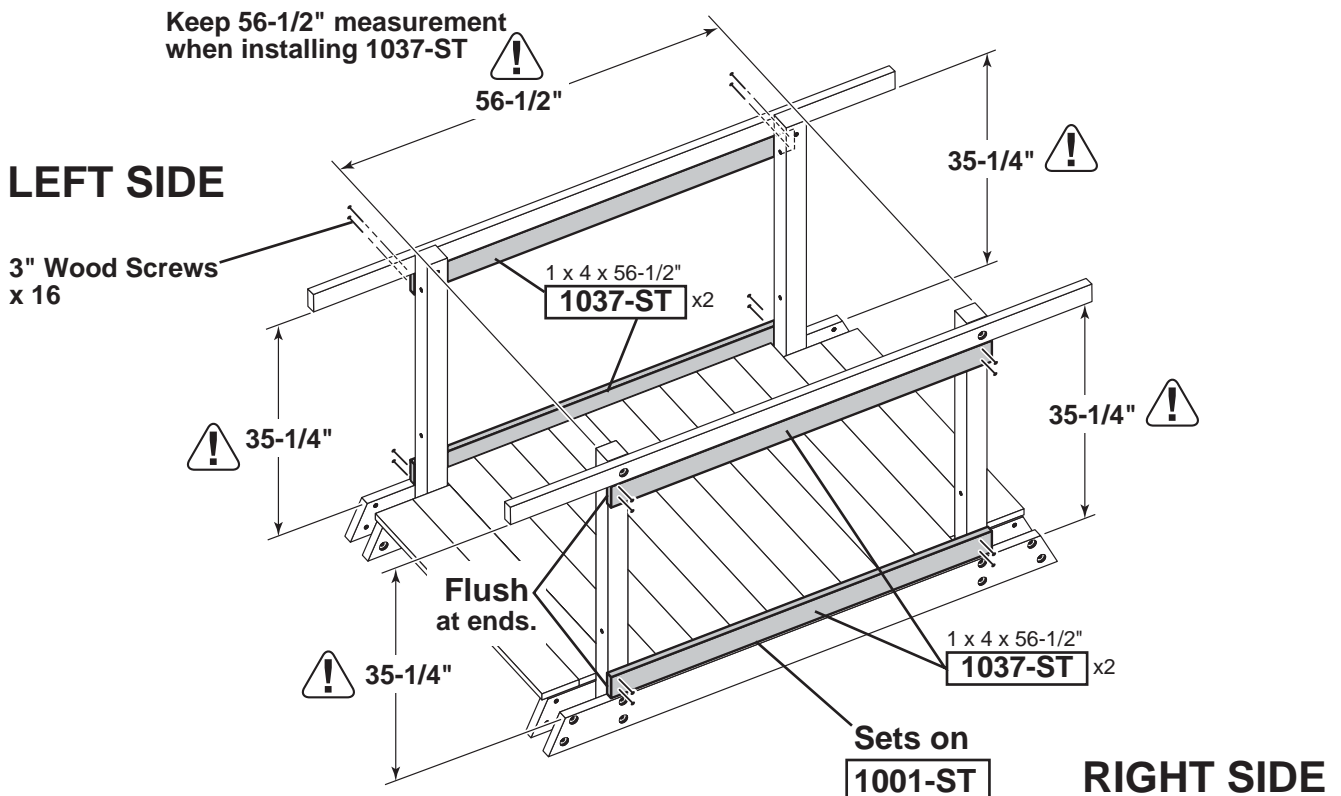
## LEFT SIDE



# FORT

# SIDE WALLS

## LEFT SIDE

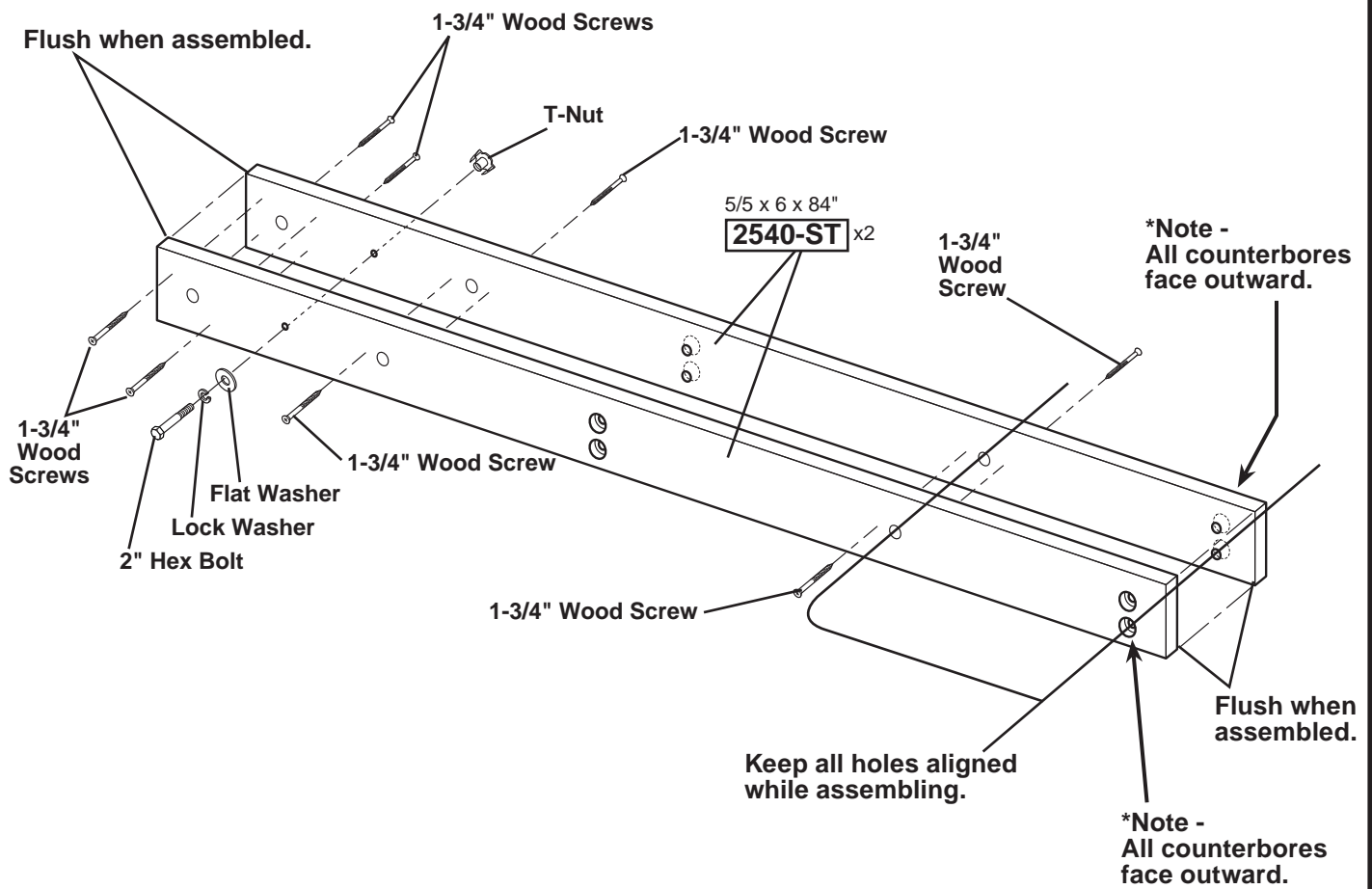


Orient Rope Arm parts 2540-ST as shown.

Assemble using 1-3/4" screws, 2" Hex Bolt, Washers and T-Nut.

Keep holes, ends and corners of both 2540-ST aligned and flush during assembly.

Tighten the screws and the bolt securely.

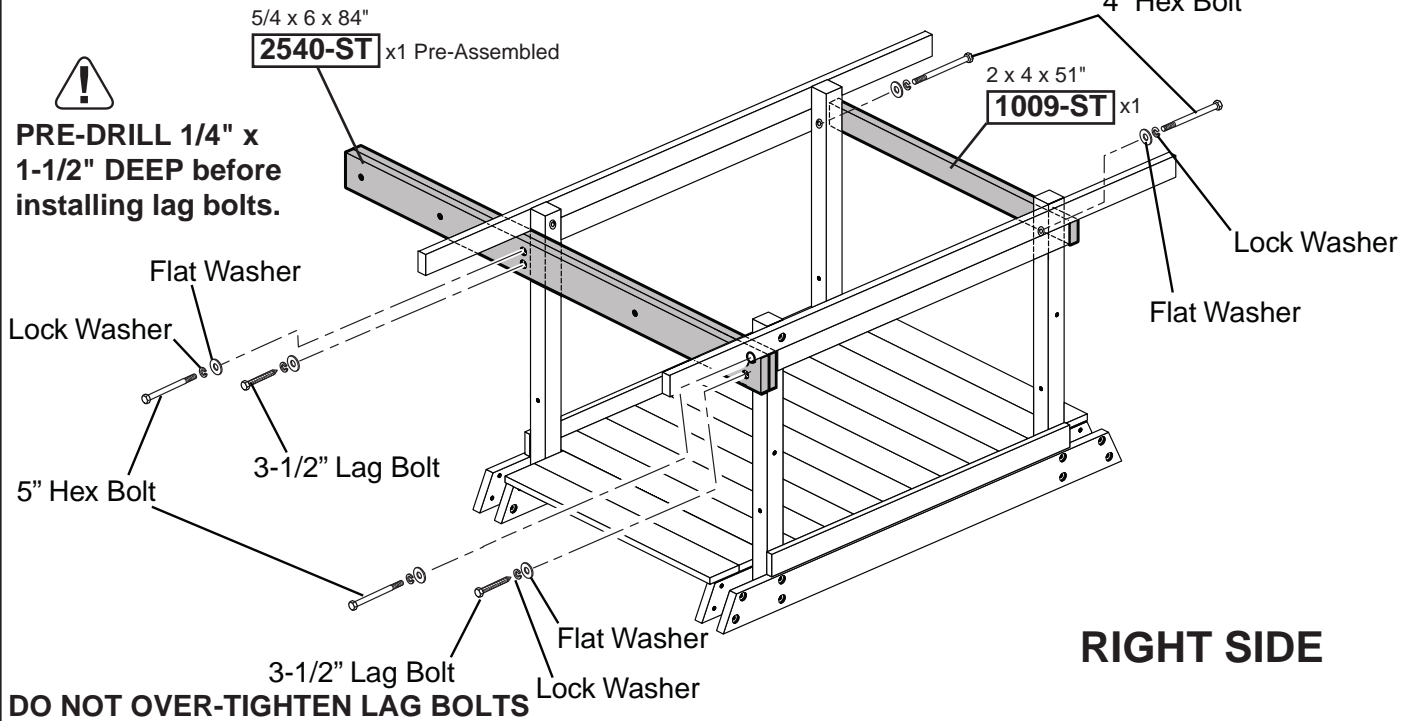


# FORT

# UPPER ARMS

## LEFT SIDE

**!** Install bolts firmly, but do not fully tighten.  
Re-adjustment will be necessary.



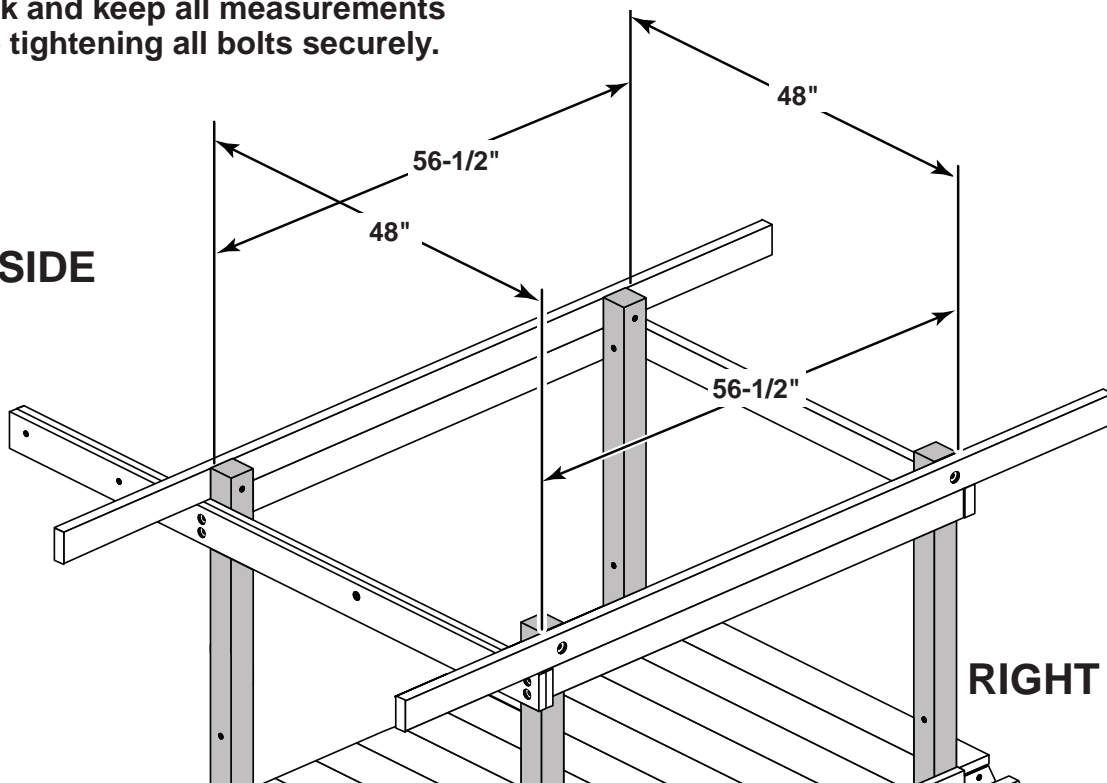
## RIGHT SIDE

# FORT

# TENT END RAILS

**!** Check and keep all measurements while tightening all bolts securely.

## LEFT SIDE



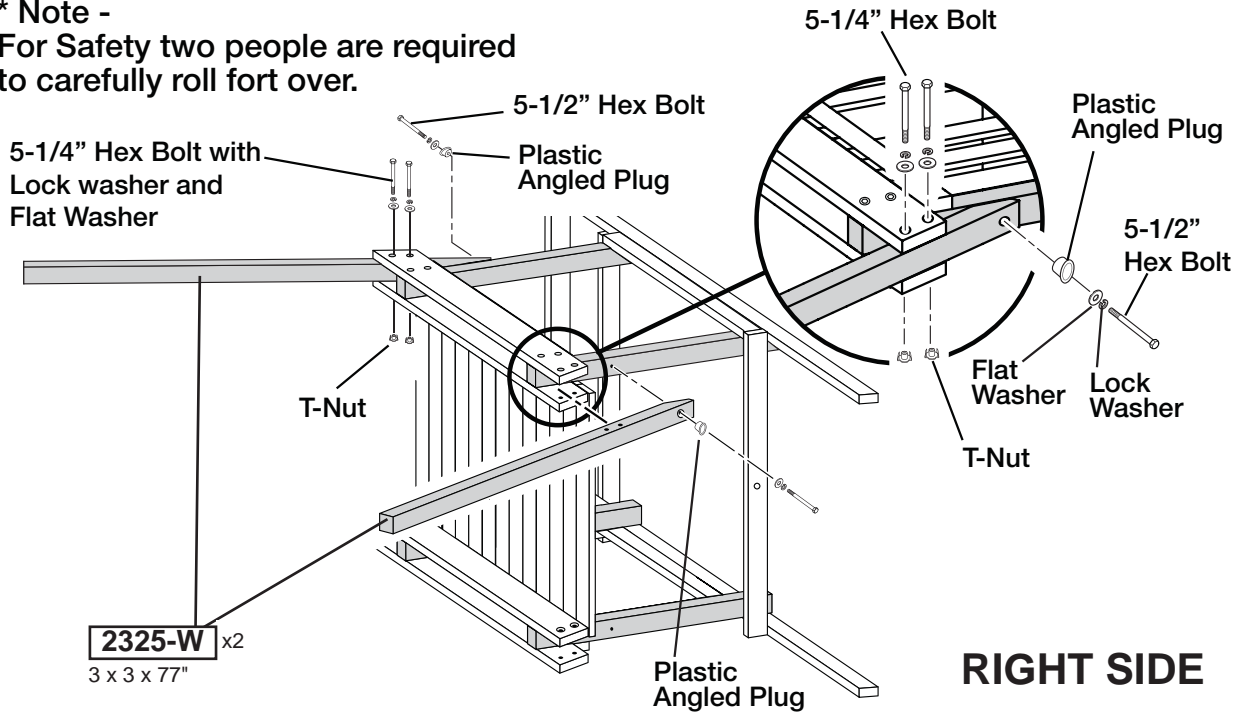
## RIGHT SIDE

# FORT

# INSTALL LEGS

## LEFT SIDE

\* Note -  
For Safety two people are required  
to carefully roll fort over.

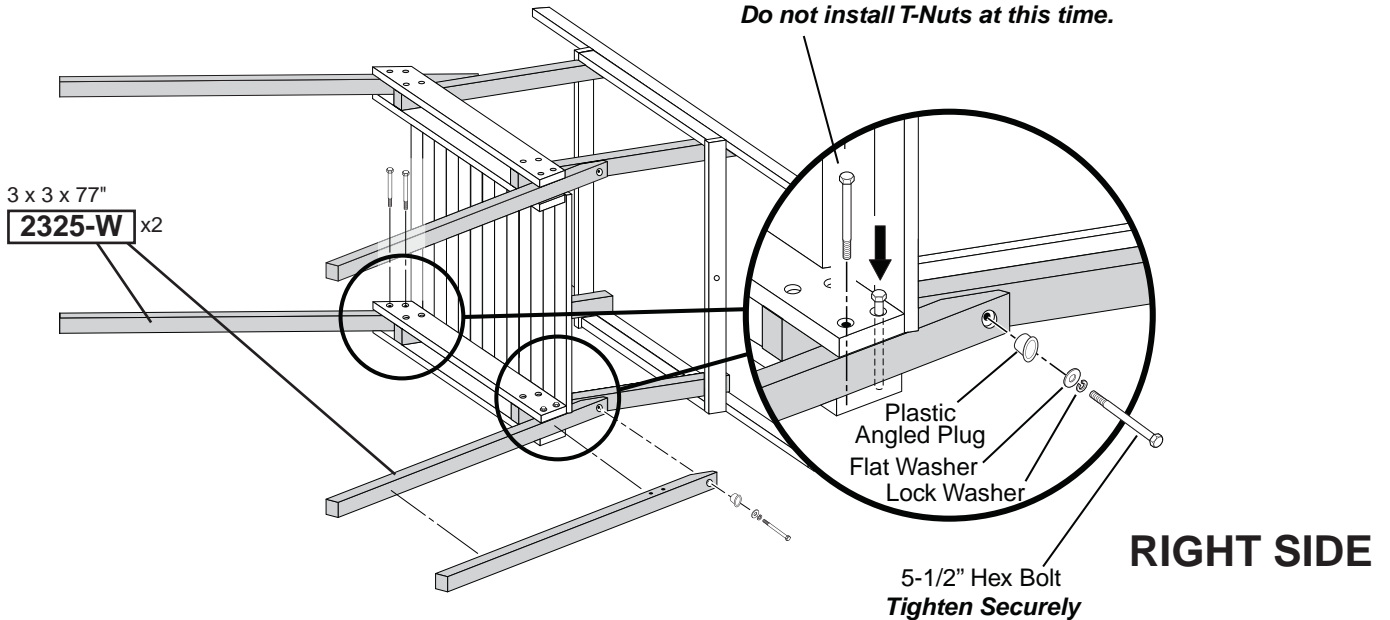


# FORT

# INSTALL LEGS

## LEFT SIDE

Temporarily secure two Right Side Legs (2325-W)  
with 5-1/4" Hex Bolts;  
Tap Bolts down lightly until Bolts bottom out.  
**Do not install T-Nuts at this time.**

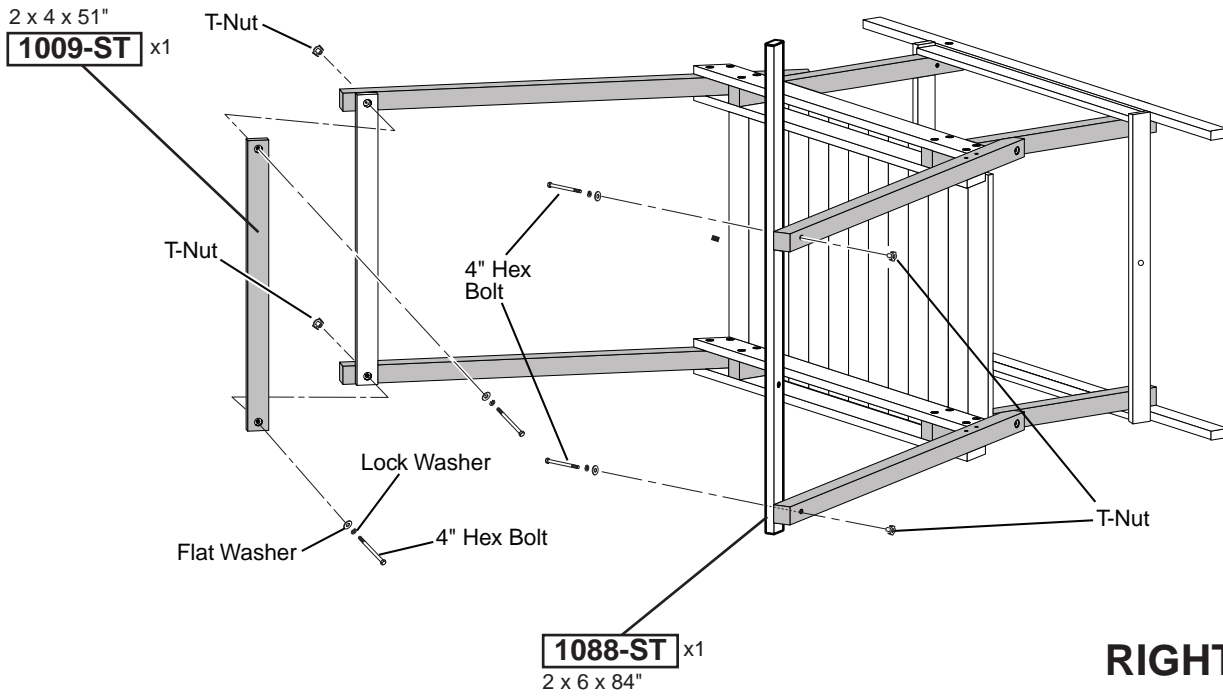


# FORT

# BOTTOM SUPPORTS

## LEFT SIDE

## SIDE VIEW



## RIGHT SIDE

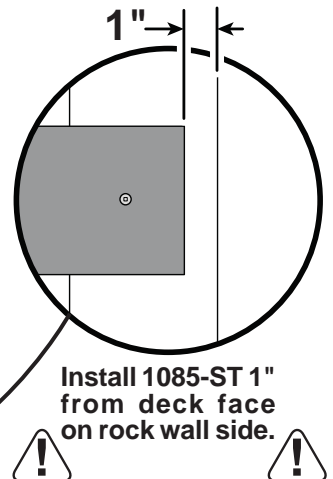
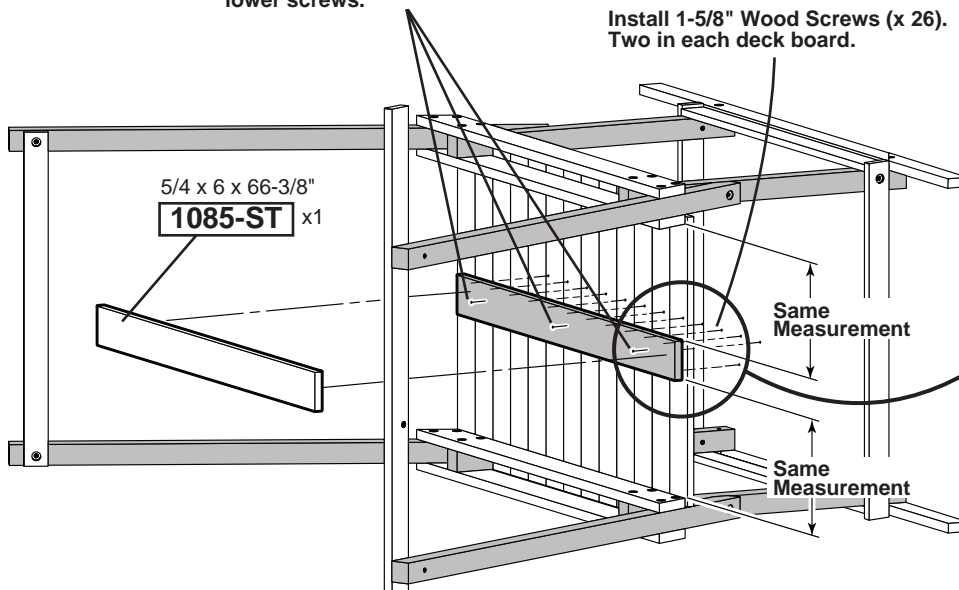
# FORT

# DECK / TIRE SUPPORT

## LEFT SIDE

**HINT:** Temporarily hold 1085-ST in place under deck with (3) 1-5/8" screws. Then, secure from top with (26) 1-5/8" screws. Once secured, remove the (3) lower screws.

Install 1-5/8" Wood Screws (x 26).  
Two in each deck board.



**NOTE ROPE LADDER THIS SIDE**

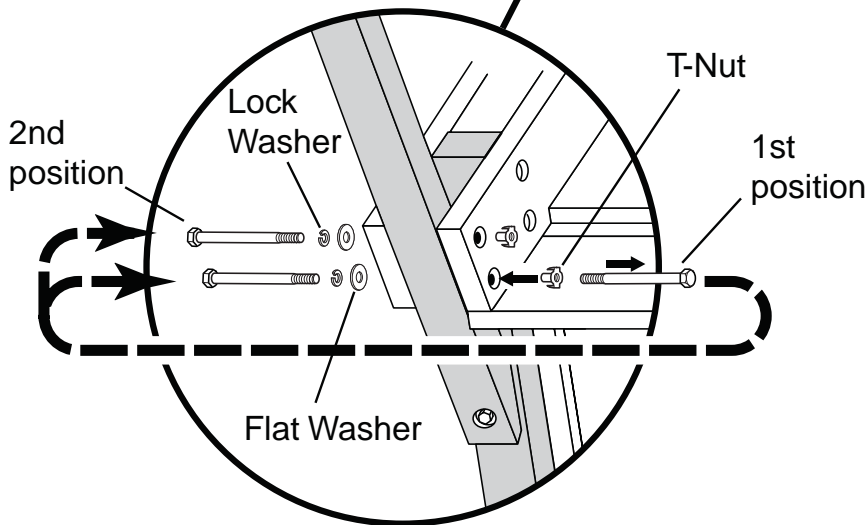
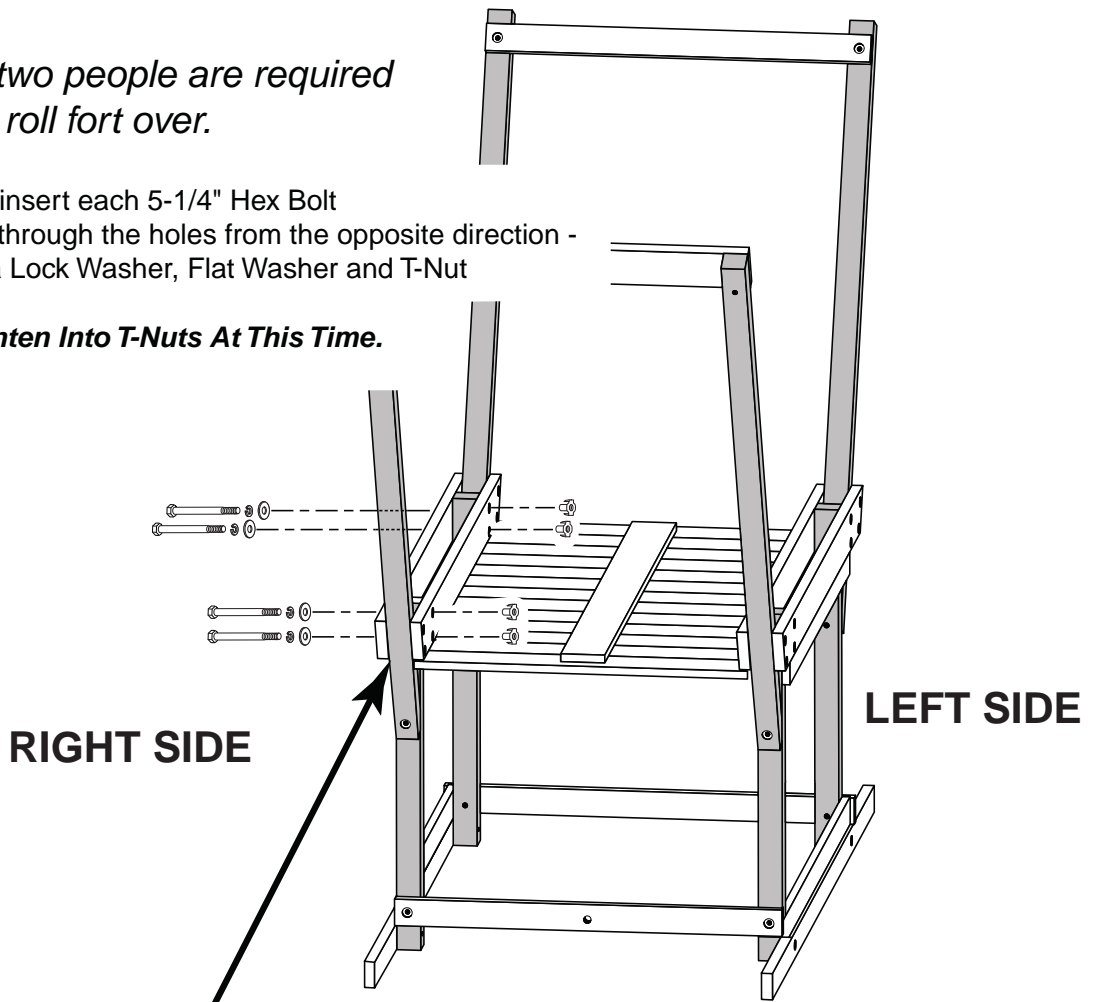


## RIGHT SIDE

**\* Note -**  
*For Safety two people are required to carefully roll fort over.*

Remove and re-insert each 5-1/4" Hex Bolt (**one at a time**) through the holes from the opposite direction - this time using a Lock Washer, Flat Washer and T-Nut

**Install And Tighten Into T-Nuts At This Time.**



After tightening all bolts **Gently** return Playset to it's upright position.

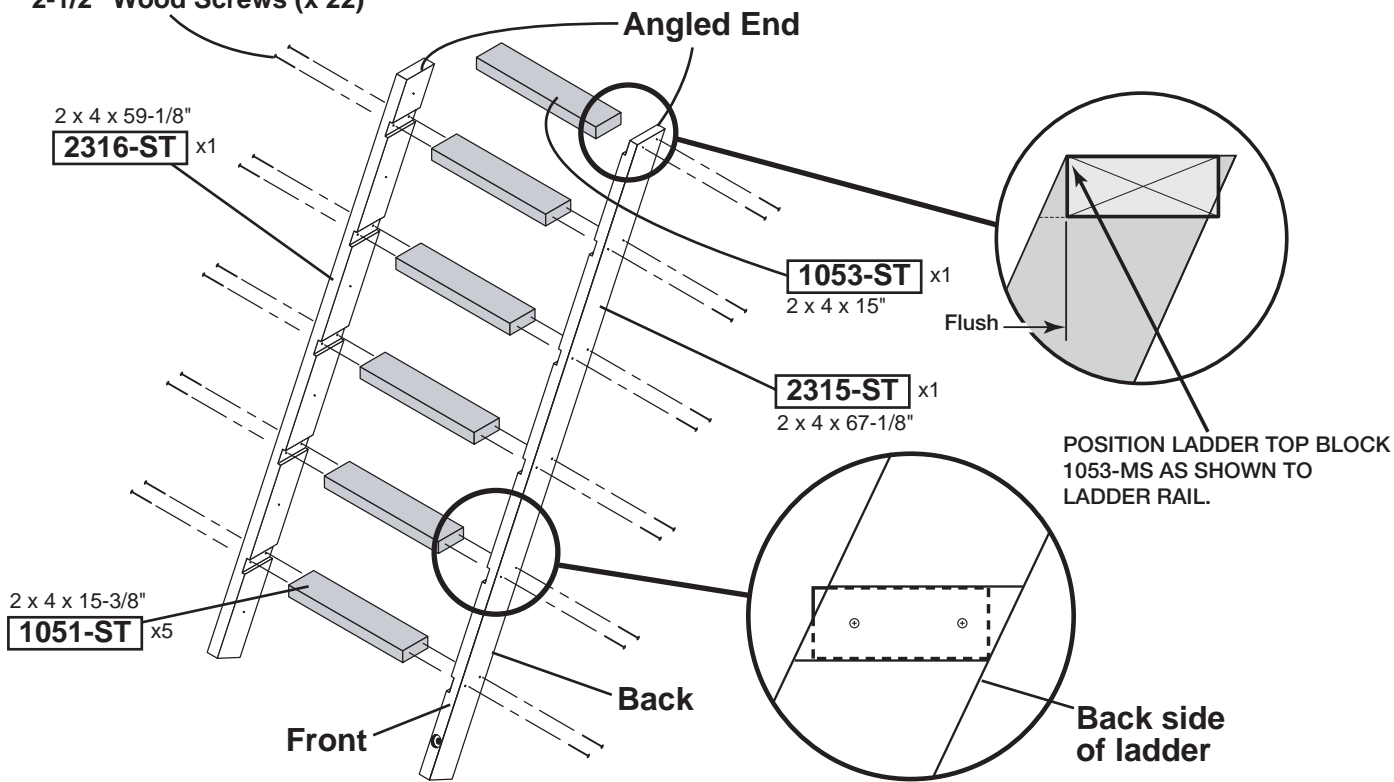
Move partially assembled Playset into it's permanent location at this time, making sure ground has been leveled and prepared.



# FORT

# STEP LADDER

2-1/2" Wood Screws (x 22)



# FORT

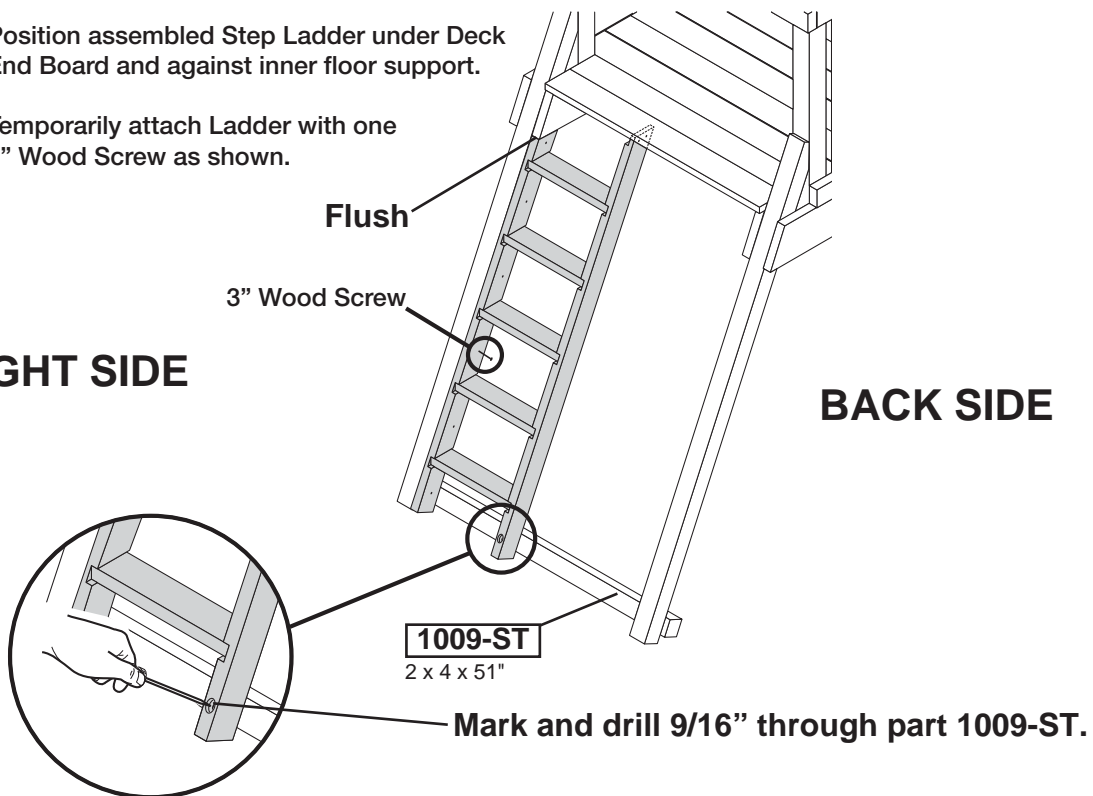
# STEP LADDER

Position assembled Step Ladder under Deck End Board and against inner floor support.

Temporarily attach Ladder with one 3" Wood Screw as shown.

**RIGHT SIDE**

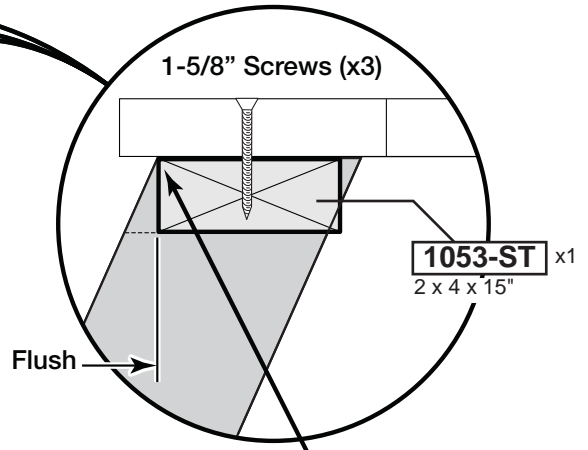
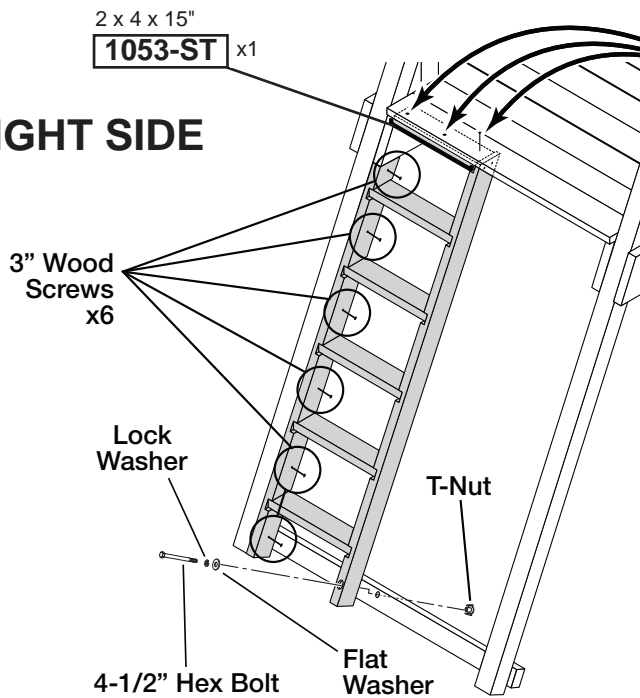
**BACK SIDE**



# FORT

# STEP LADDER

**RIGHT SIDE**



Position Ladder Top Block beneath Deck End Board. Attach with three 1-5/8" Wood Screws.

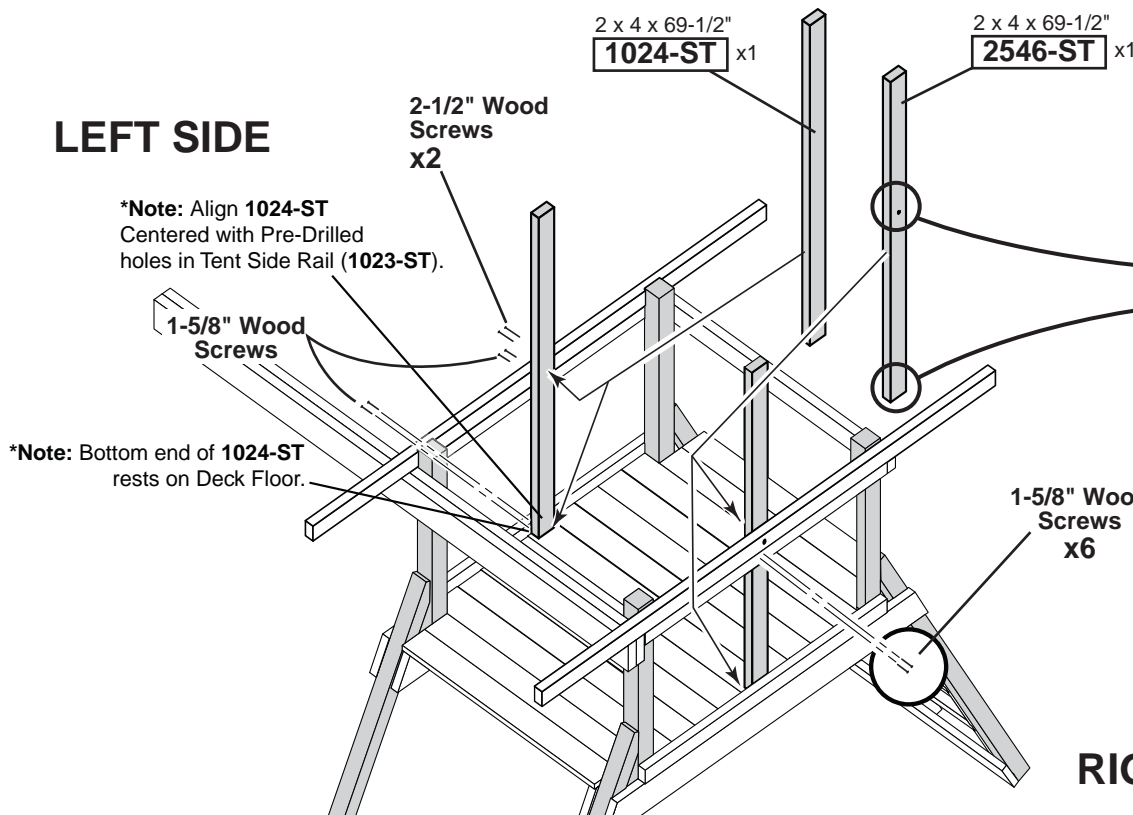
When installed, front edge of Ladder Top Block (1053-ST) should be flush with top of Step Ladder.

**LEFT SIDE**

# FORT

# TENT VERTICAL SUPPORTS

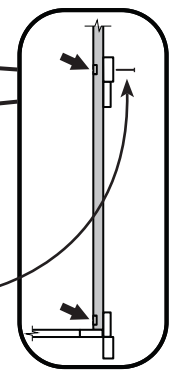
**LEFT SIDE**



\*Note: Align 1024-ST Centered with Pre-Drilled holes in Tent Side Rail (1023-ST).

\*Note: Bottom end of 1024-ST rests on Deck Floor.

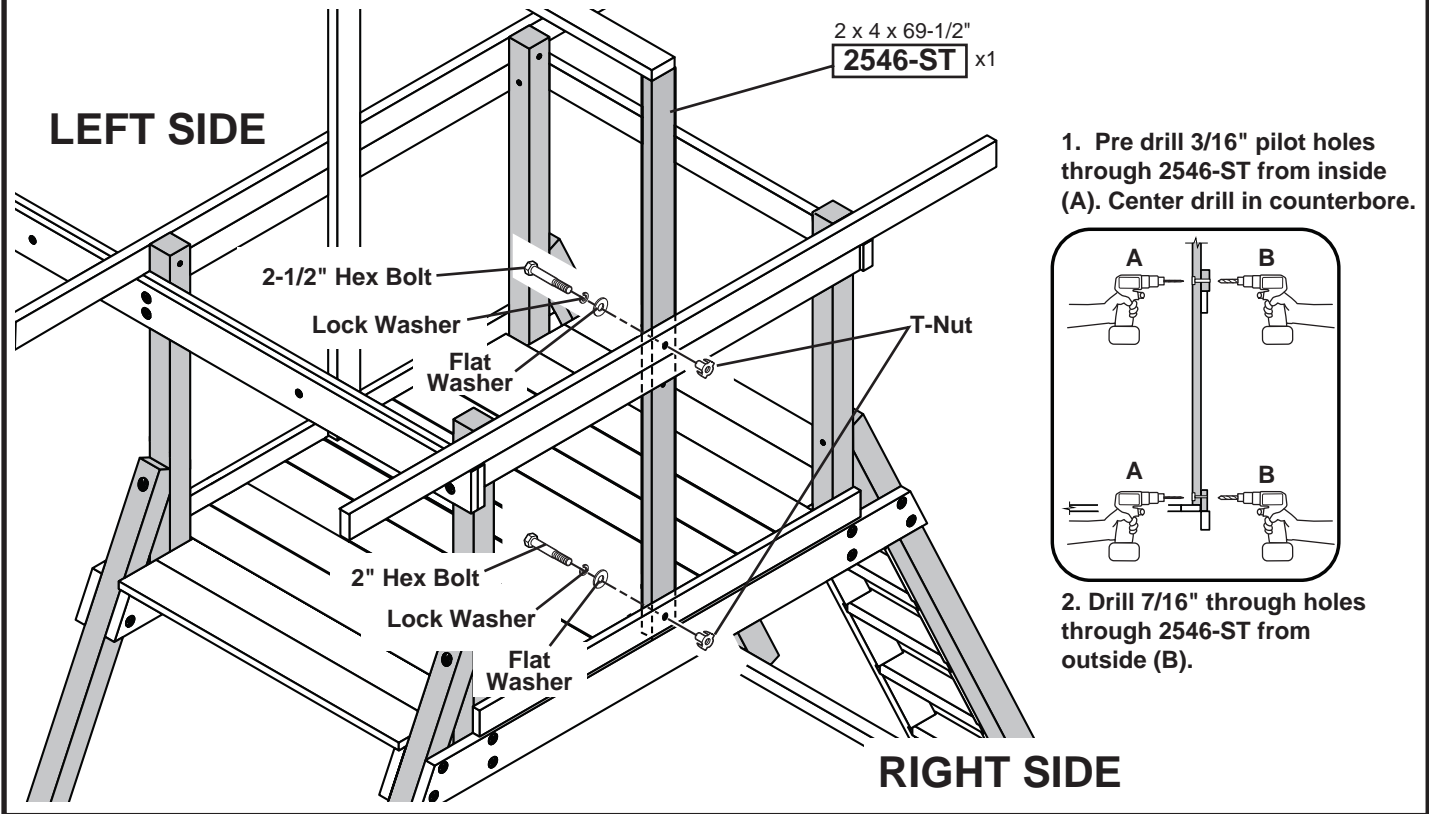
**IMPORTANT!**  
Install 2546-ST with counterbores toward inside of fort.



**RIGHT SIDE**

# FORT

# TENT VERTICAL SUPPORTS



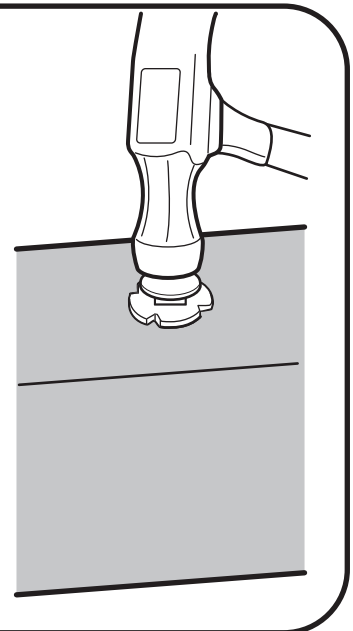
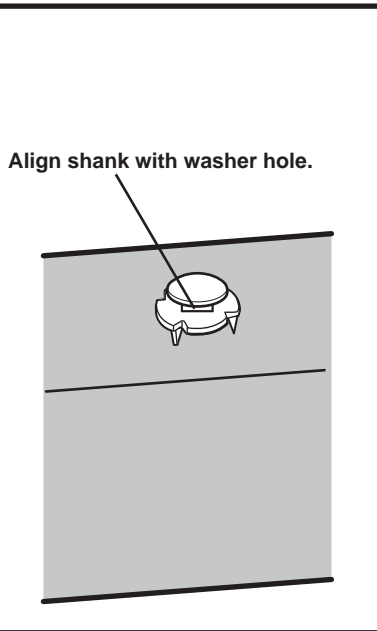
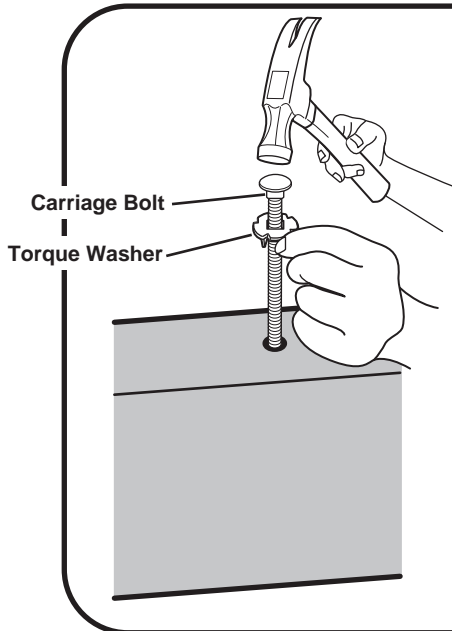
# SWING BEAM

# How to install Torque Washers

Thread Carriage Bolt through Torque Washer before seating the Torque Washer. Tap with hammer.

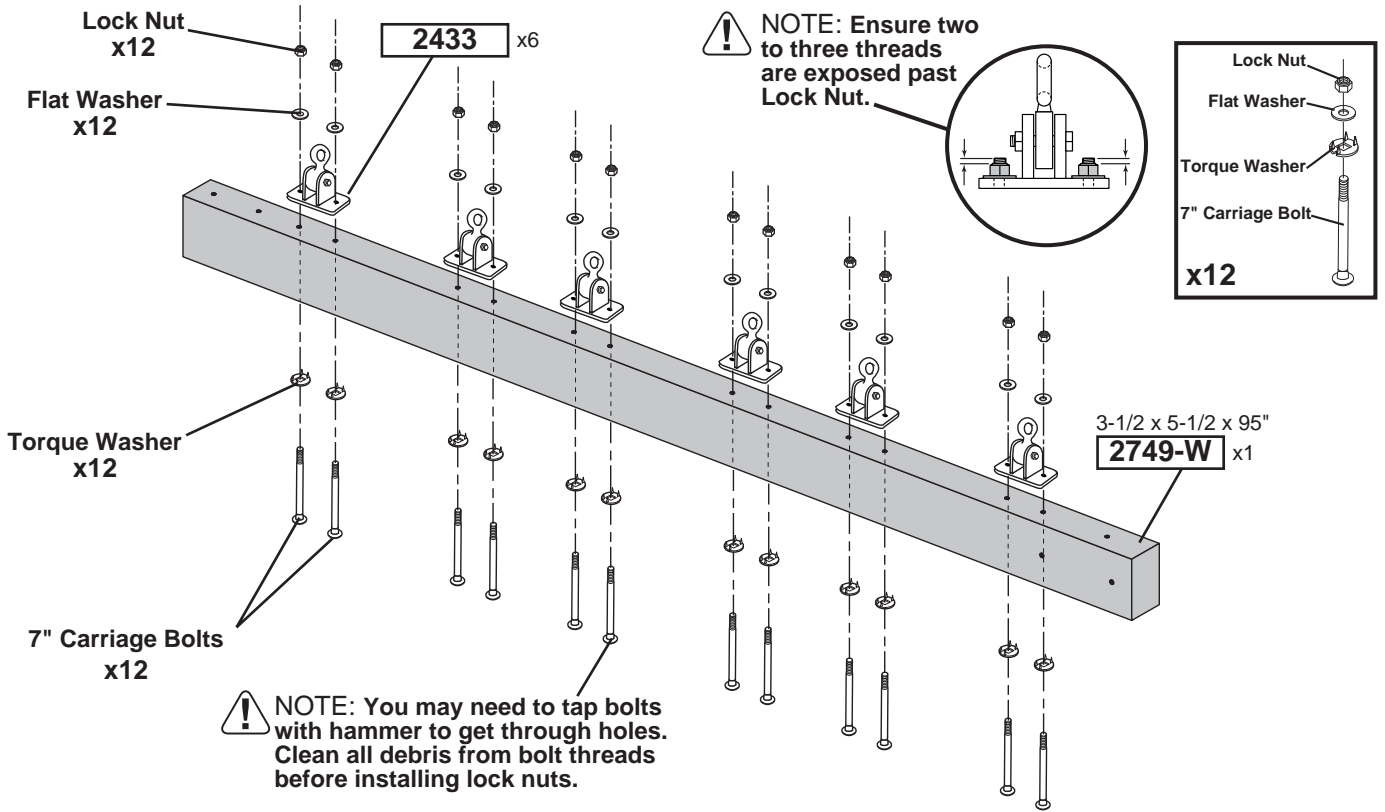
Make sure Carriage Bolt square shank is aligned with square hole in Torque Washer before final seating of the Torque Washer.

Complete final seating of Torque Washer by tapping into place.



# SWING BEAM

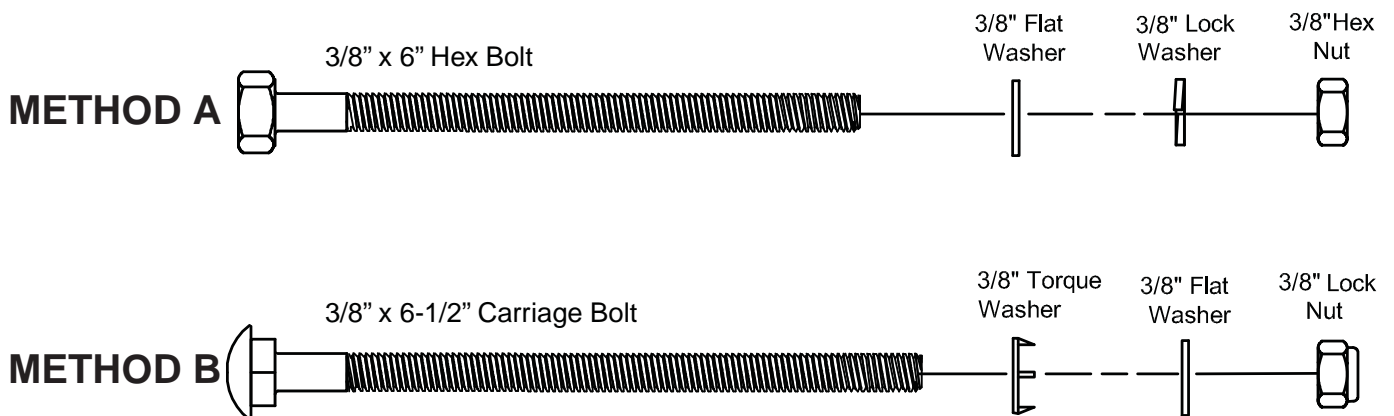
# SWING HANGERS



# SWING BEAM SUPPORT INSTALL

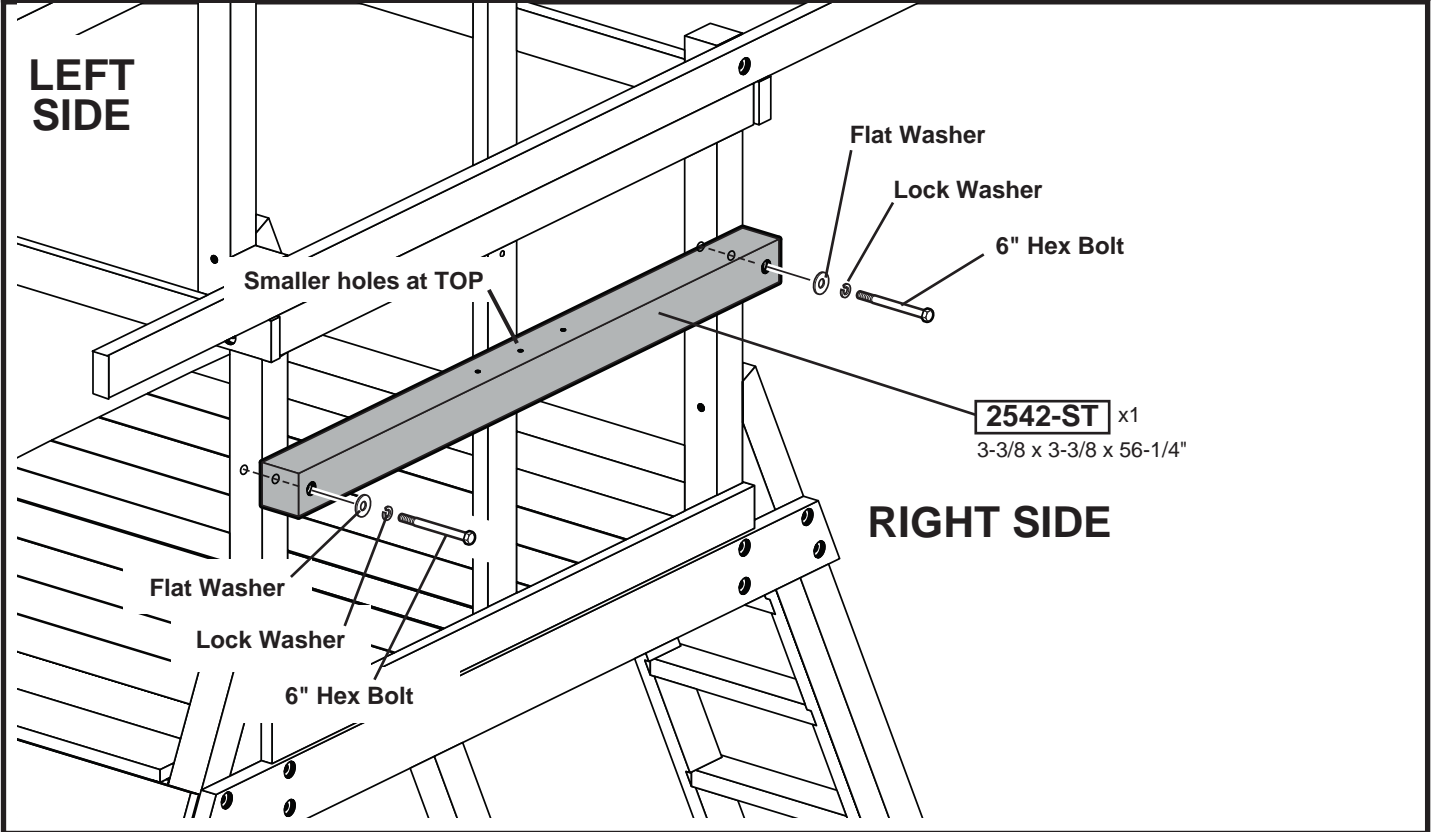
**NOTE: DEPENDING ON THE FASTENERS PROVIDED THERE ARE TWO METHODS TO INSTALL 2542-ST SWING BEAM SUPPORT. LOCATE EITHER SET OF FASTENERS SHOWN BELOW AND INSTALL ACCORDINGLY.**

**IF YOU HAVE (X4) 6" HEX BOLTS IN YOUR KIT, INSTALL USING METHOD A.**  
**IF YOU HAVE (X4) 6-1/2" CARRIAGE BOLTS IN YOUR KIT INSTALL USING METHOD B.**



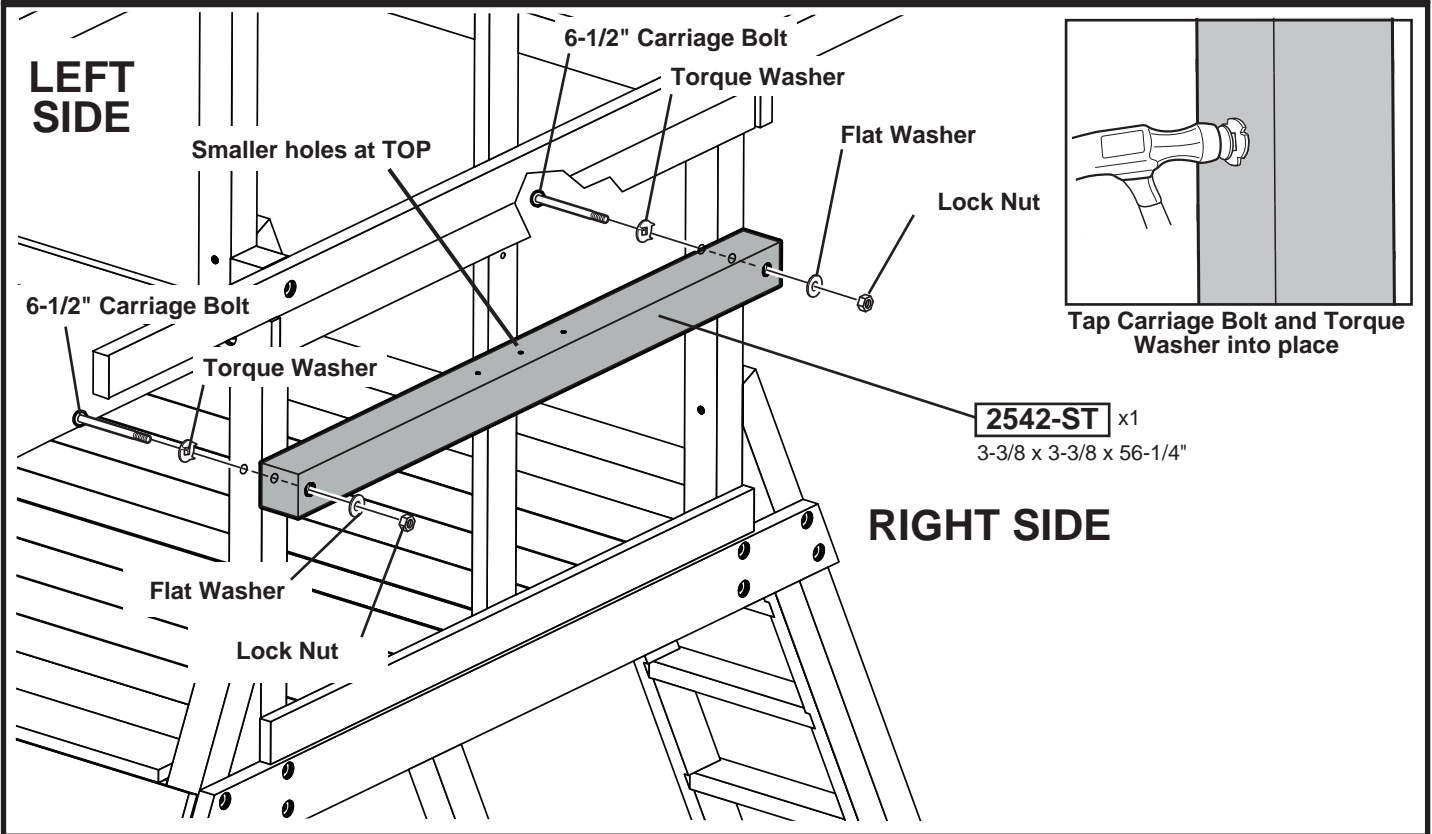
# METHOD A

# SWING BEAM SUPPORT



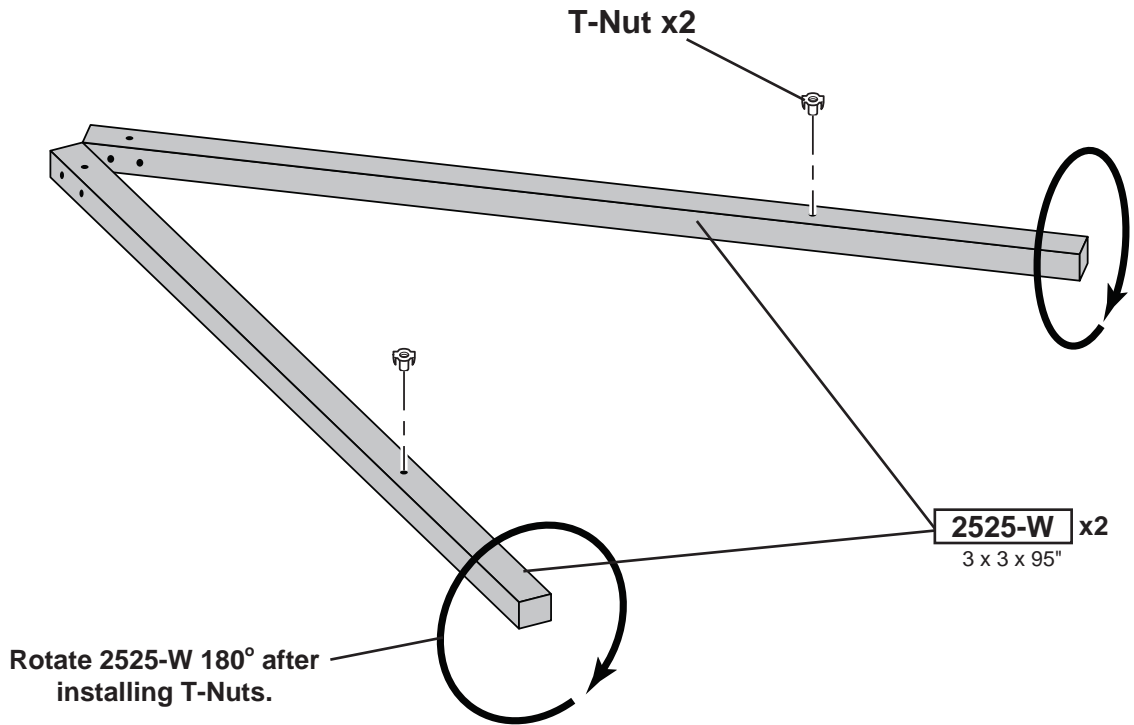
# METHOD B

# SWING BEAM SUPPORT



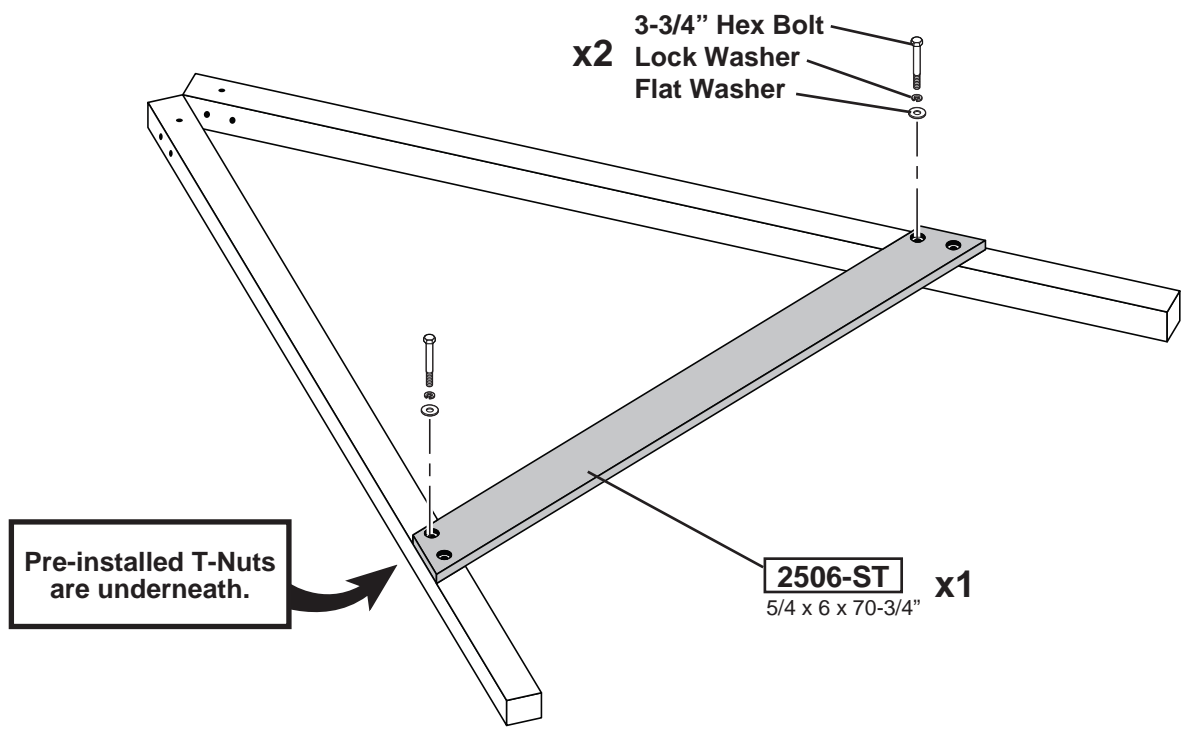
# SWING BEAM

# A - FRAME



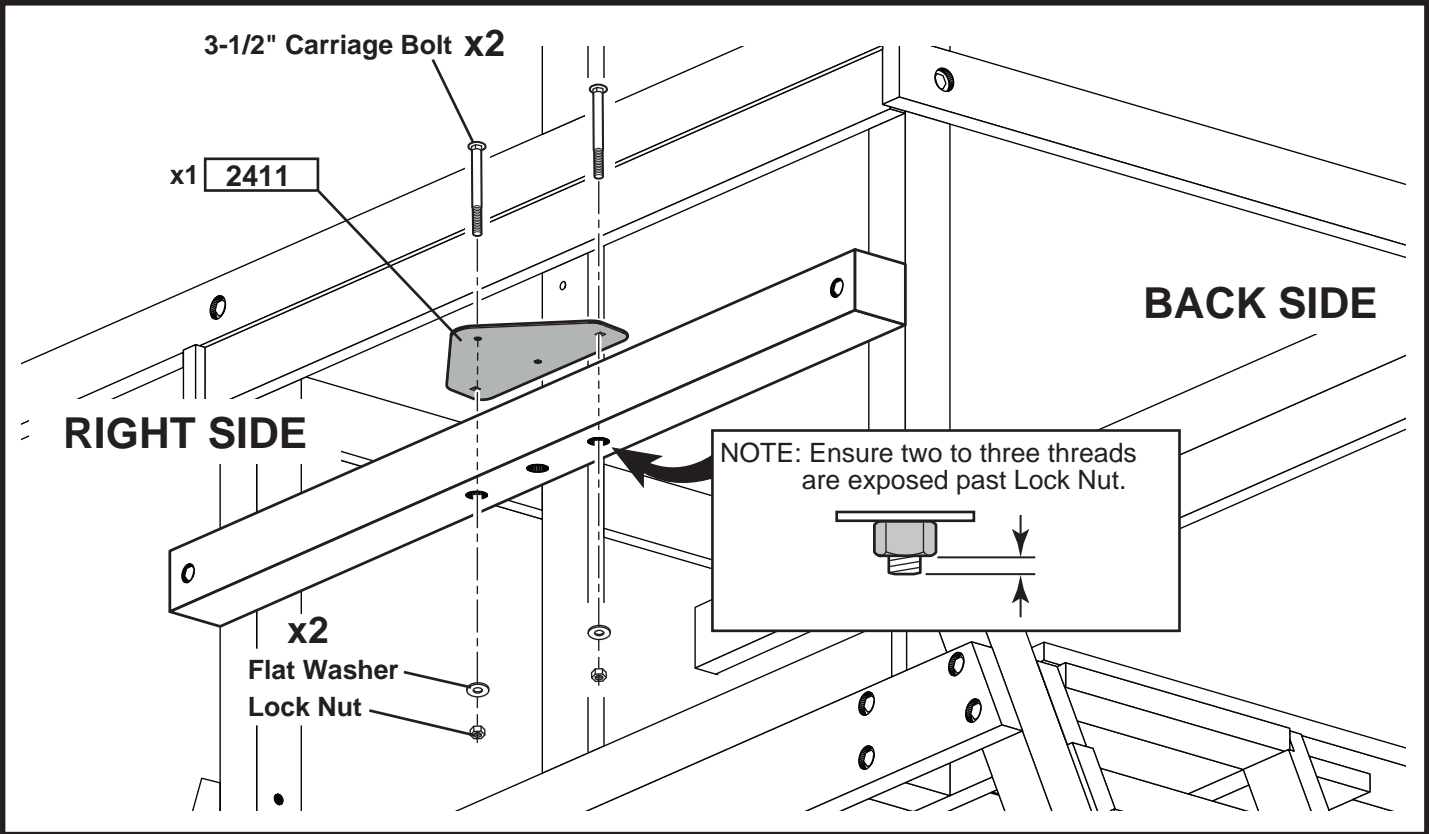
# SWING BEAM

# ASSEMBLE



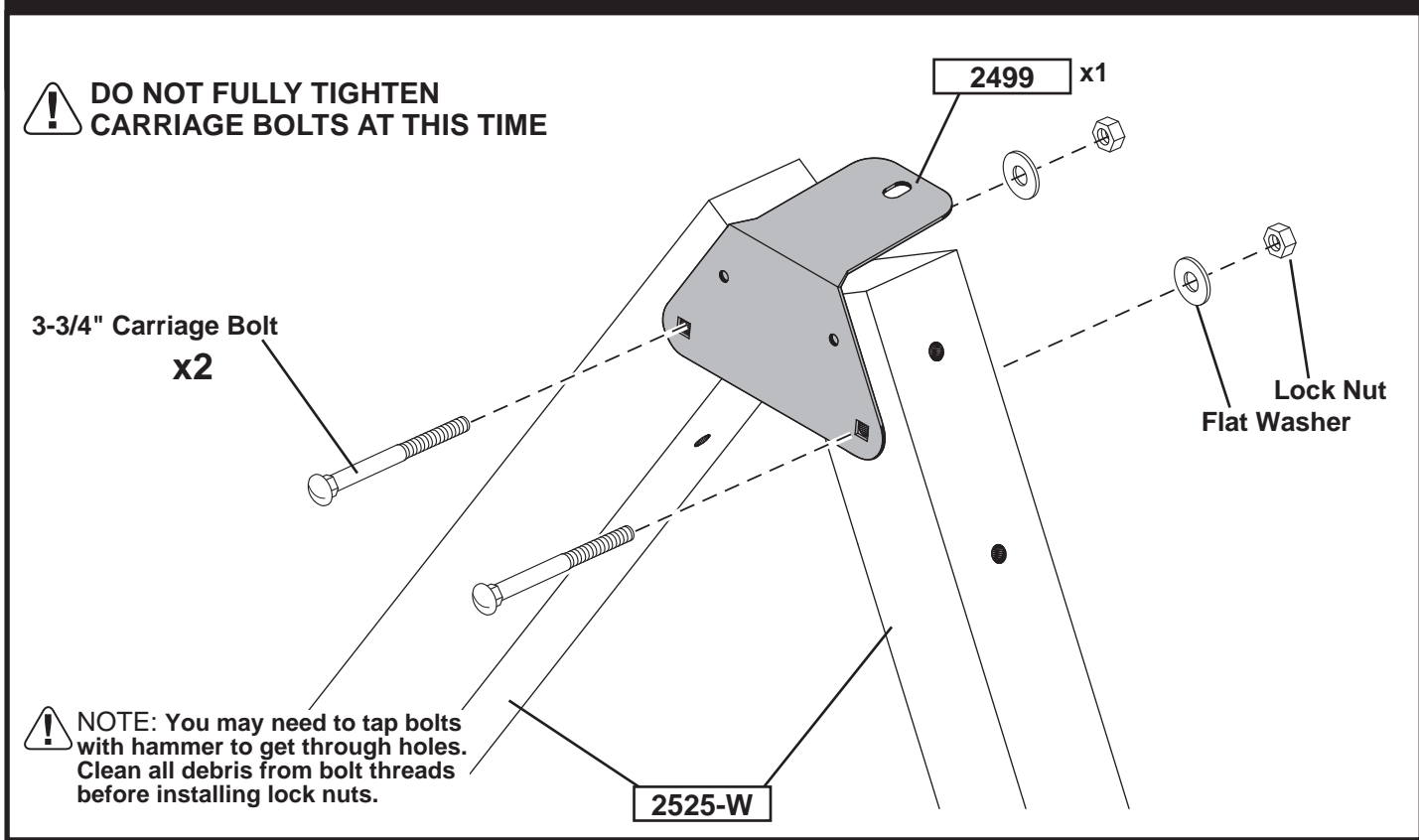
# SWING BEAM

# HARDWARE



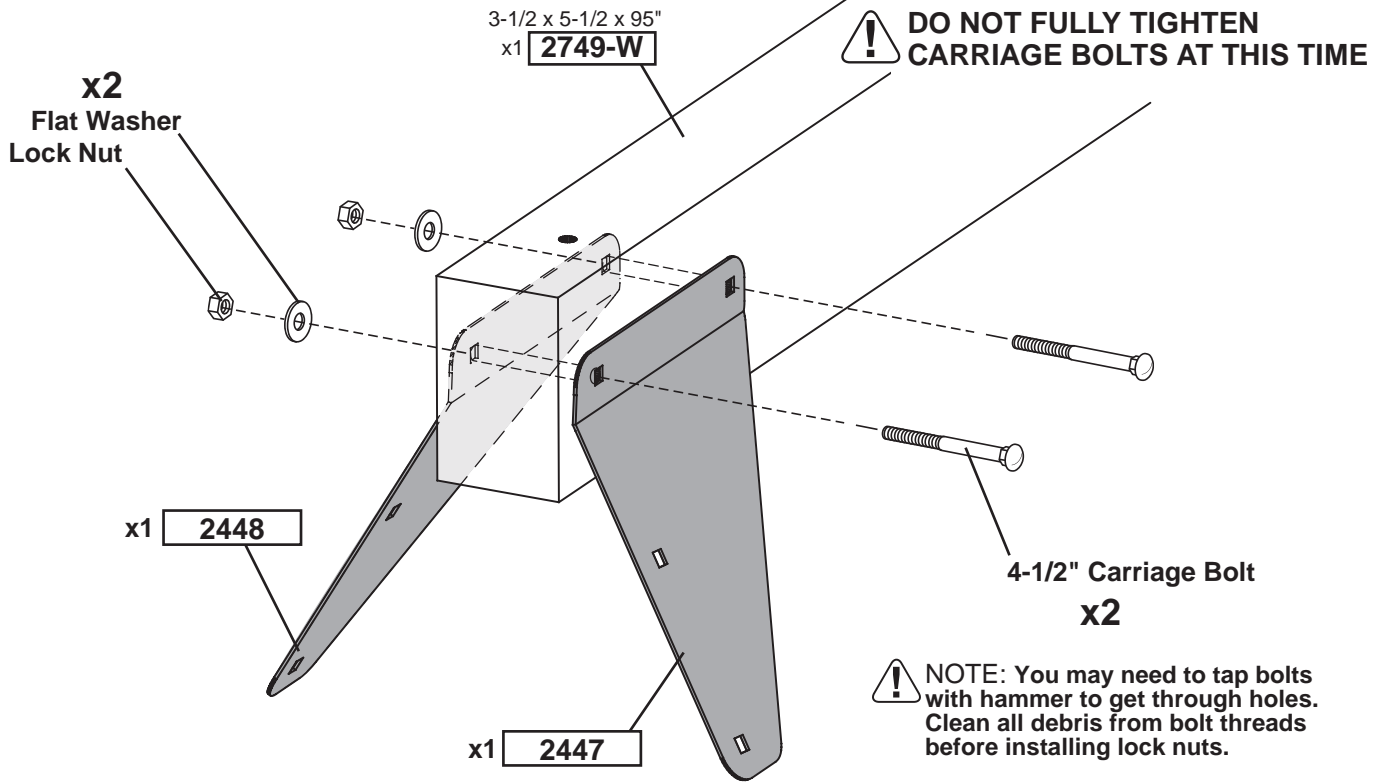
# SWING BEAM

# HARDWARE



# SWING BEAM

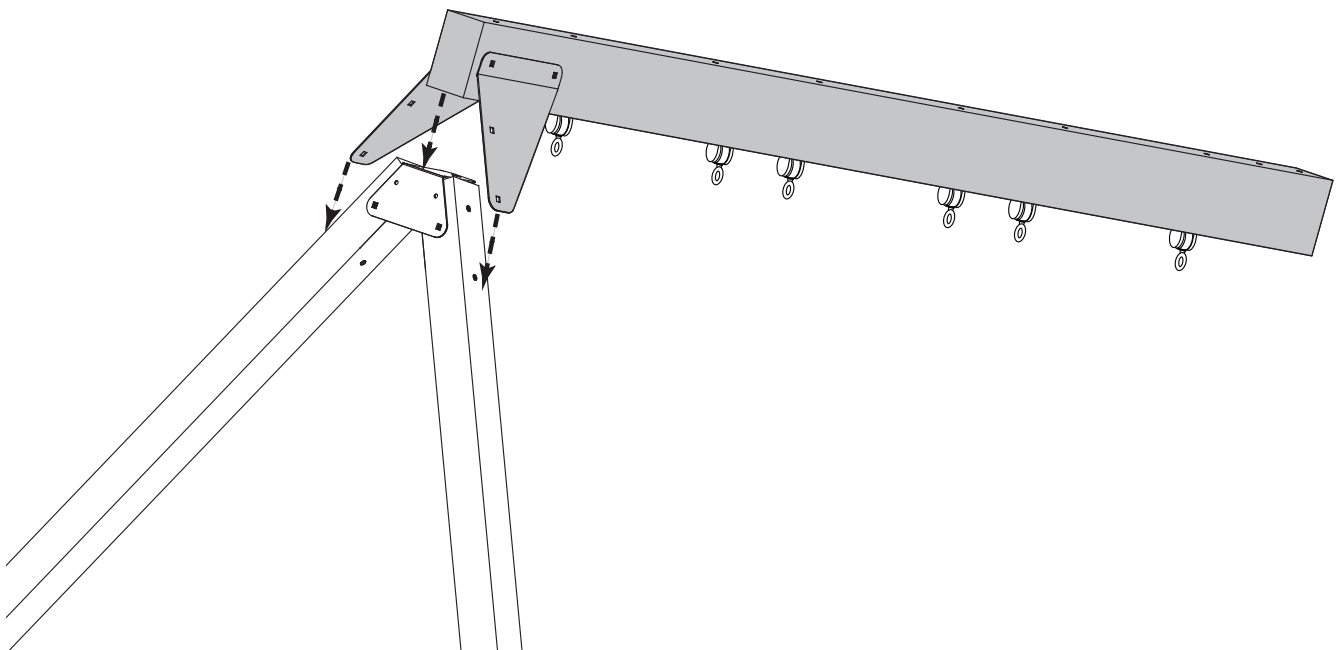
# HARDWARE



# SWING BEAM

# ASSEMBLE

Position swing beam assembly resting upon A-frame.

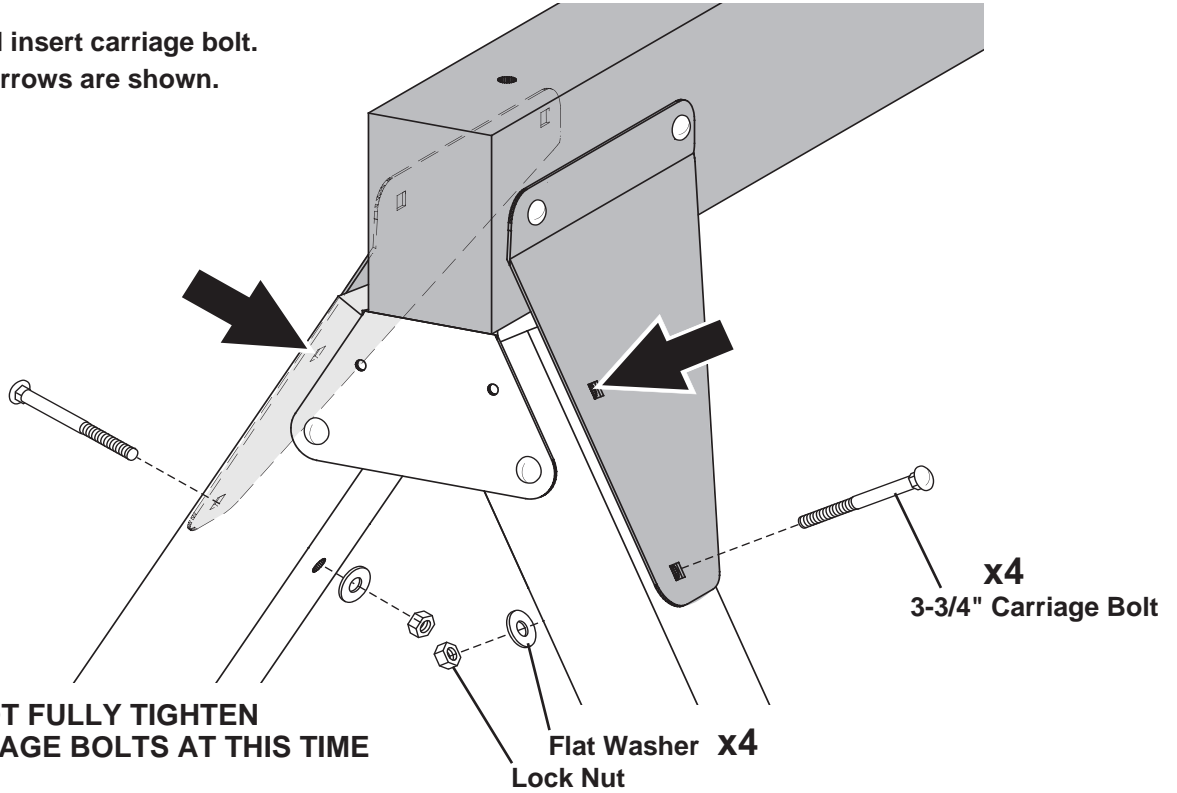




# SWING BEAM

# ASSEMBLE

Align holes and insert carriage bolt.  
Repeat where arrows are shown.



**DO NOT FULLY TIGHTEN CARRIAGE BOLTS AT THIS TIME**

# SWING BEAM

# ASSEMBLE

6-1/2" Carriage Bolt

Torque Washer

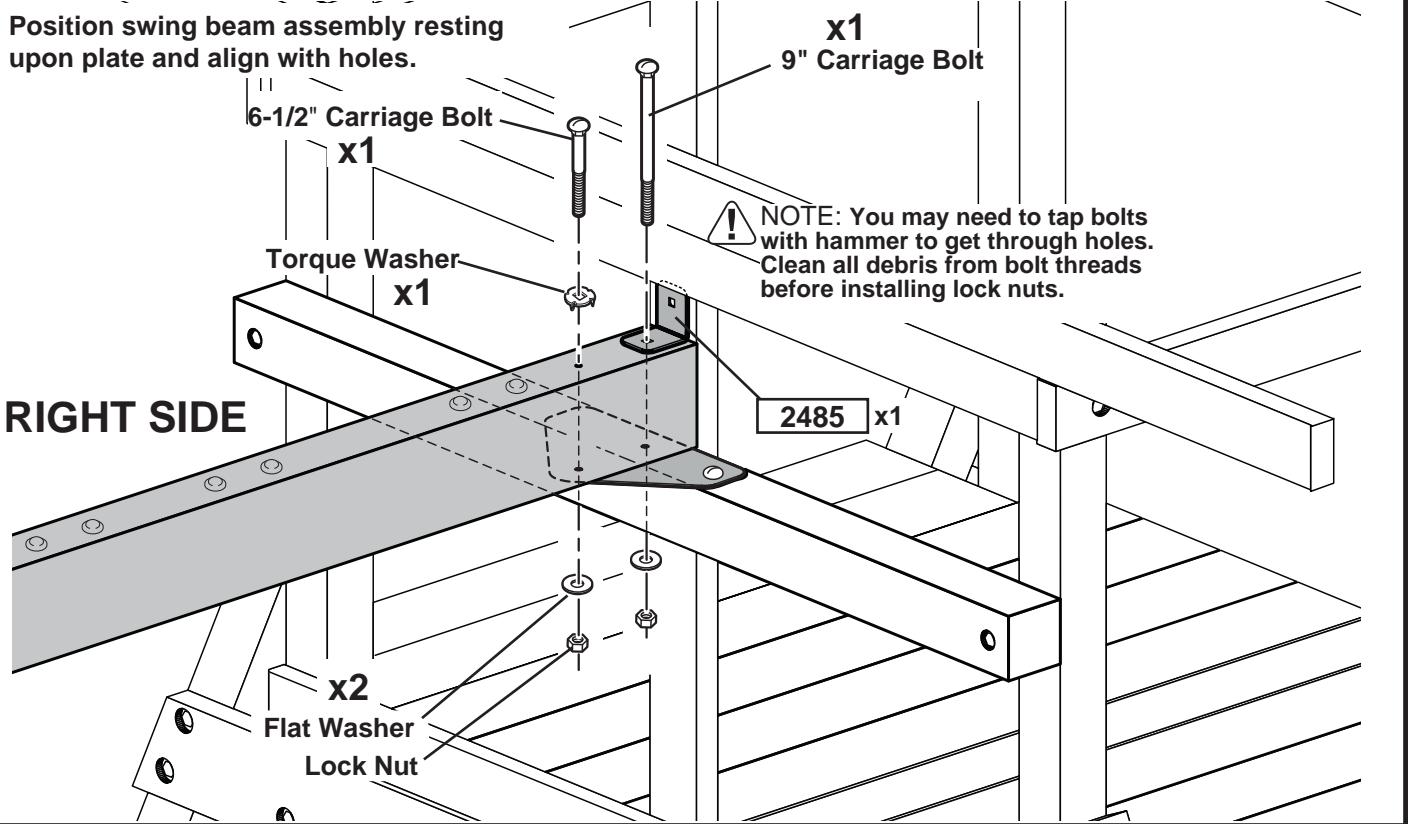
**NOTE:** You may need to tap bolts with hammer to get through holes. Clean all debris from bolt threads before installing lock nuts.

Flat Washer  
Lock Nut

# SWING BEAM

# INSTALL

Position swing beam assembly resting upon plate and align with holes.

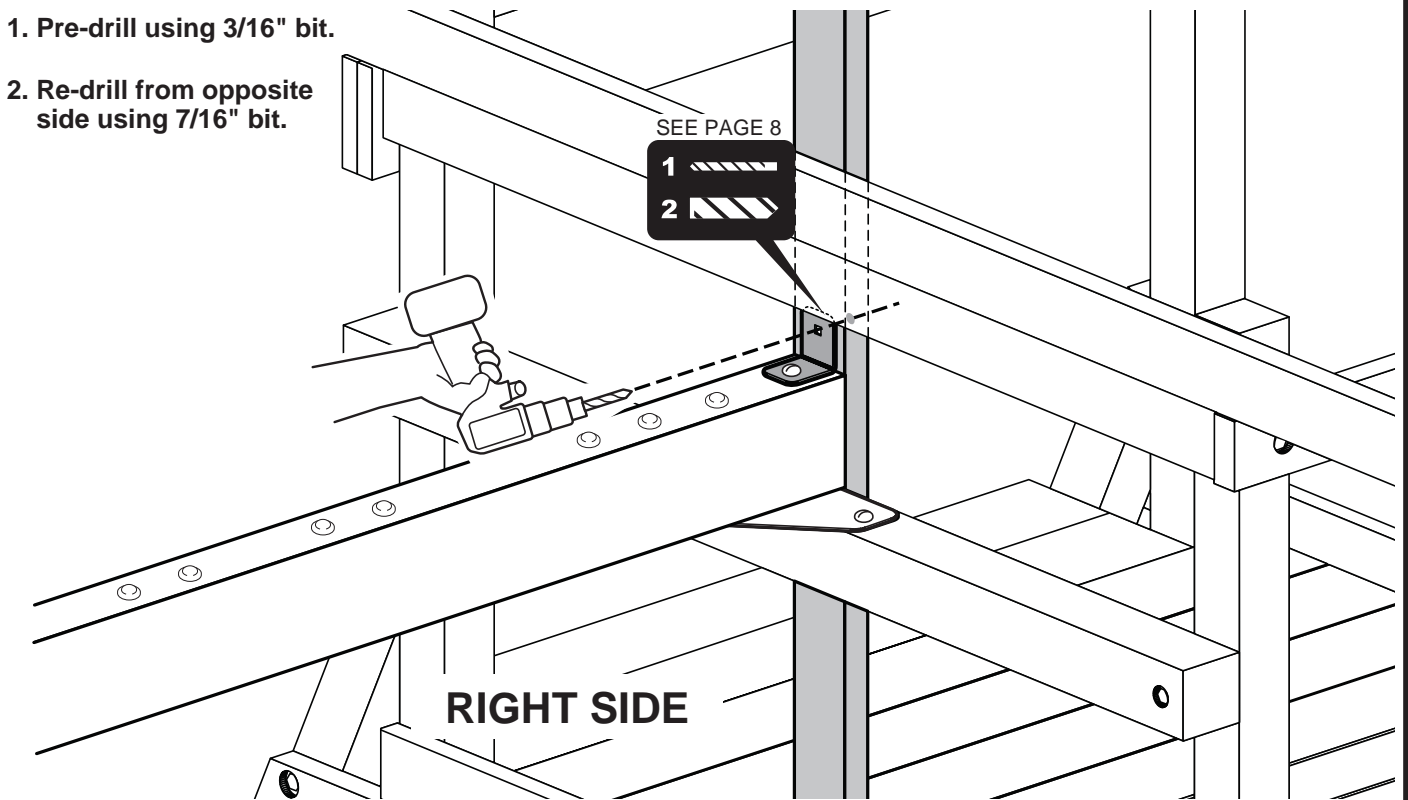


# SWING BEAM

# INSTALL

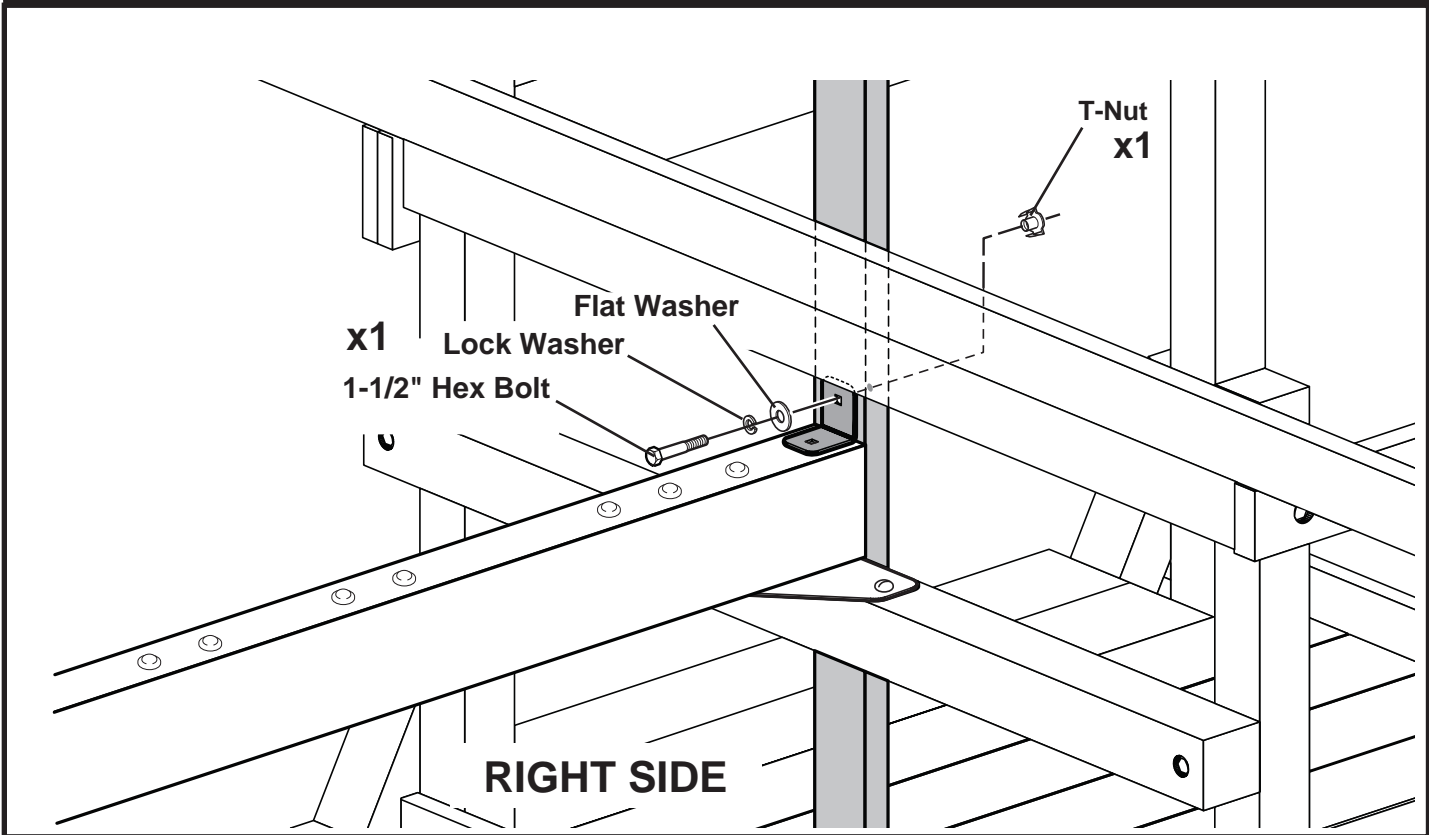
1. Pre-drill using 3/16" bit.

2. Re-drill from opposite side using 7/16" bit.



# SWING BEAM

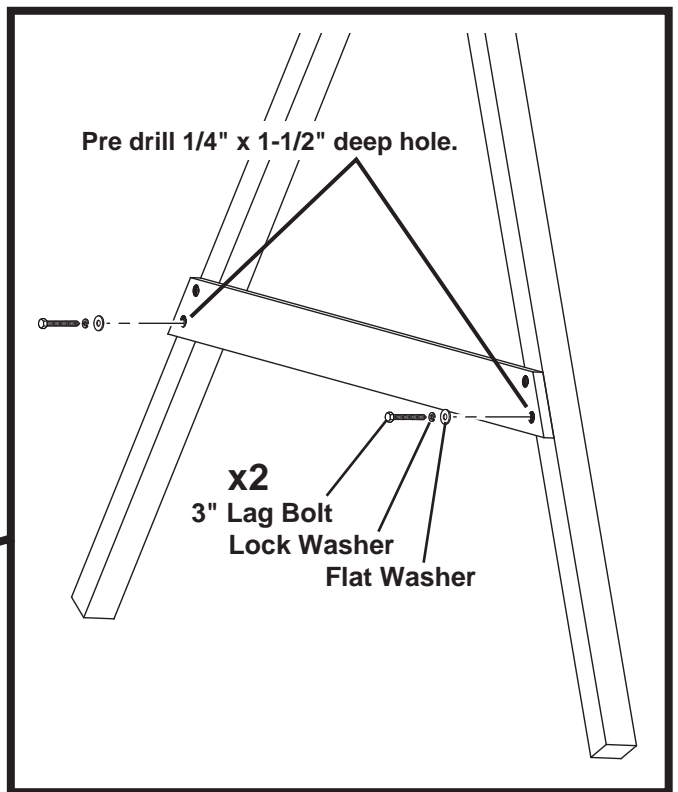
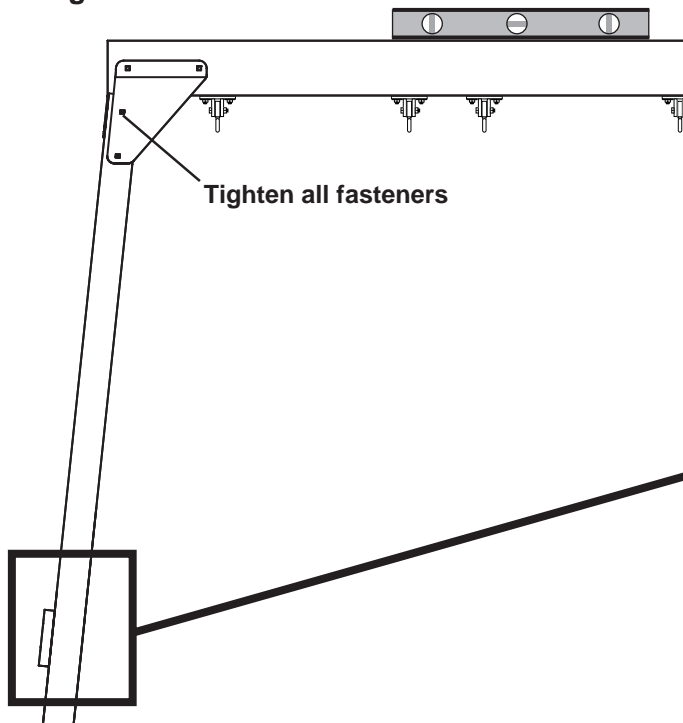
# INSTALL



# SWING BEAM

# ASSEMBLE & LEVEL

Level swing beam and tighten all swing beam fasteners.

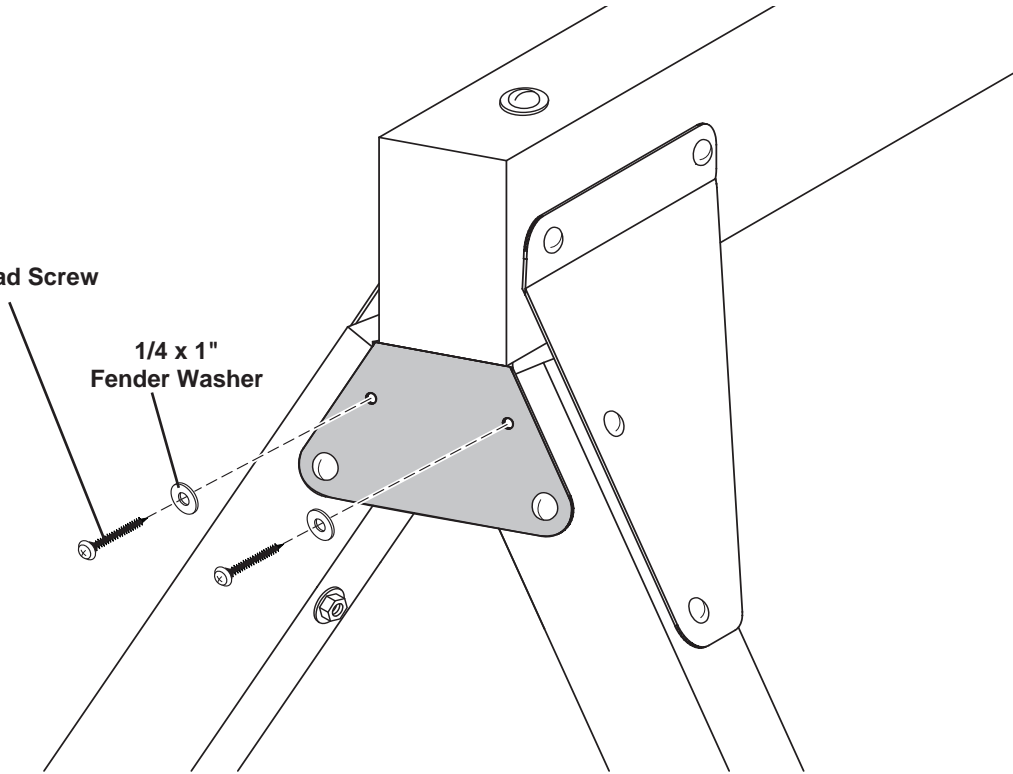


# SWING BEAM

# FINAL ASSEMBLY

x2  
2-1/2" Pan Head Screw

1/4 x 1"  
Fender Washer



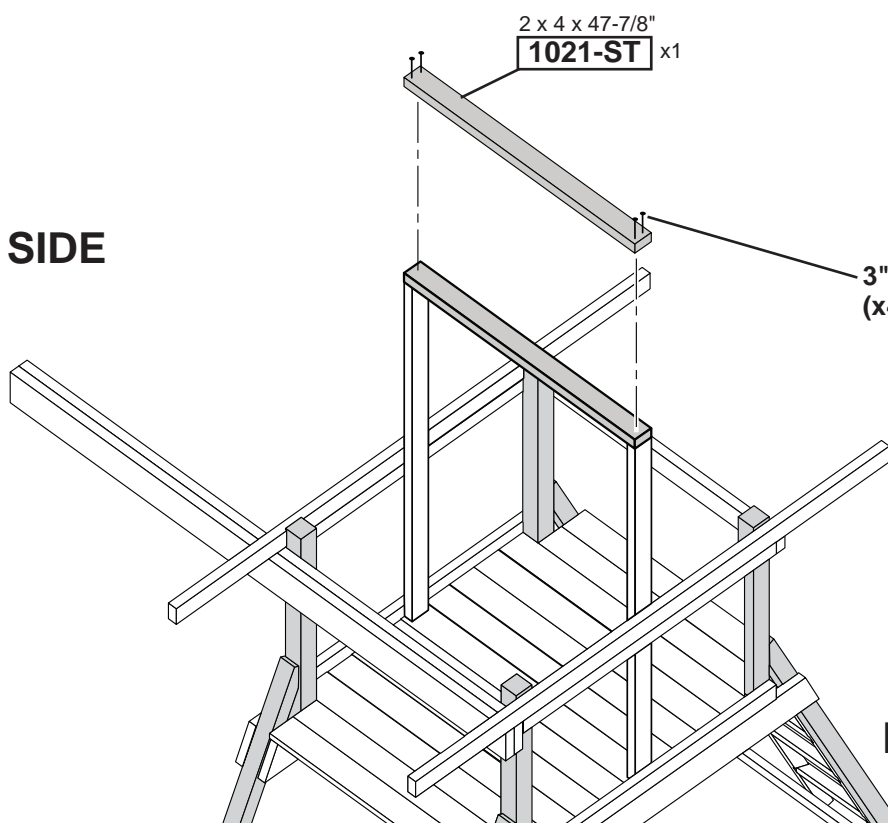
# FORT

# TENT TOP SUPPORT

LEFT SIDE

2 x 4 x 47-7/8"  
1021-ST x1

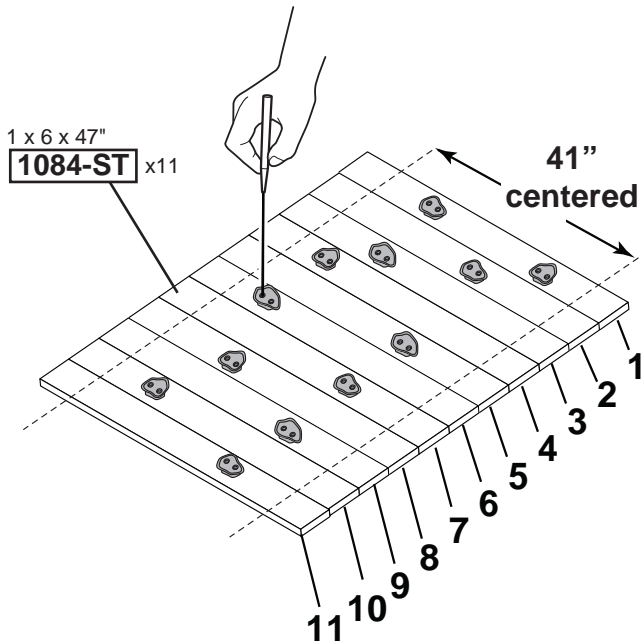
3" Wood Screws  
(x4)



RIGHT SIDE

## ROCK WALL

## LAY OUT PARTS - ROCK LOCATIONS



Place and align parts 1026-ST parallel on ground.

\*Hint: Number the order of each part (1026-ST) for correct re-orientation, top to bottom. Mark parts on back side or use masking tape.

Lay Out the Climbing Rocks (x12) in an attractive and practical fashion (6-GREEN, 6-YELLOW).

DO NOT position Rocks outside the 41" dimension.

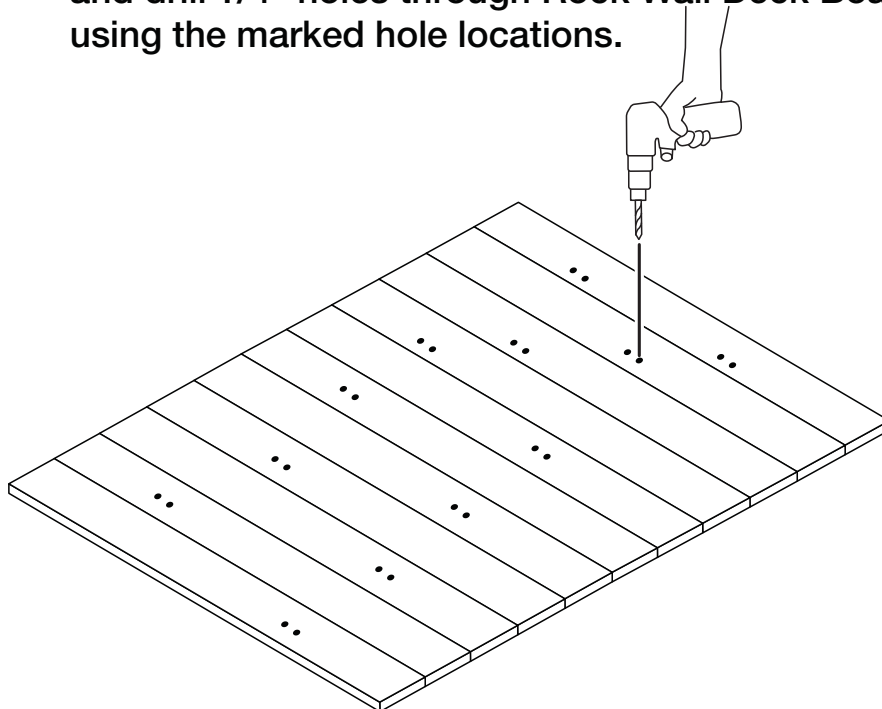
DO NOT position Rocks in center of board.

Mark position of each Rock in final decided position.

## ROCK WALL

## LAY OUT PARTS - ROCK LOCATIONS

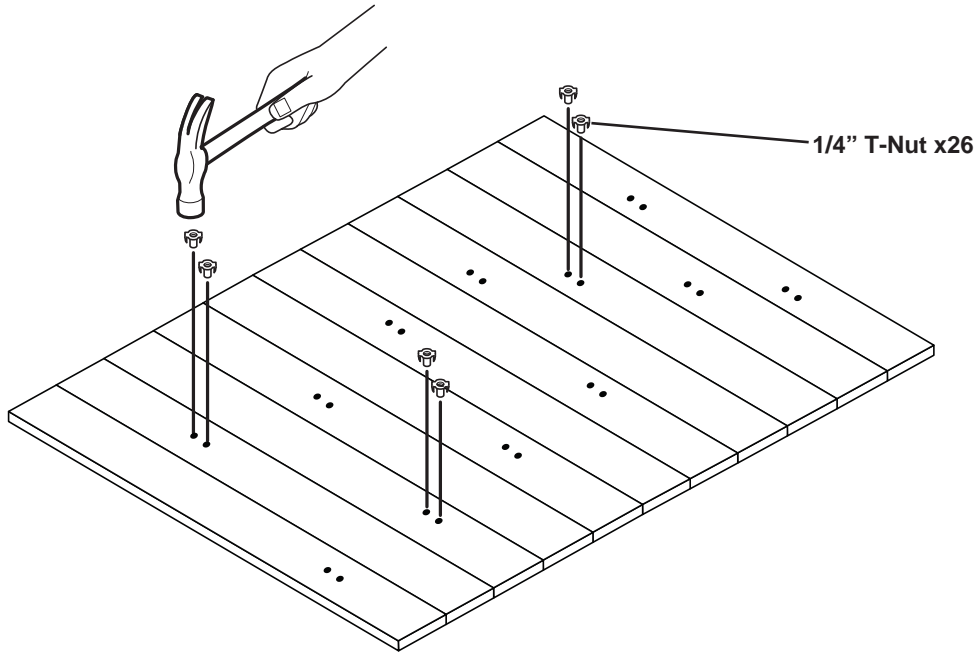
After marking Rock positions, remove Rocks and drill 1/4" holes through Rock Wall Deck Boards using the marked hole locations.



## ROCK WALL

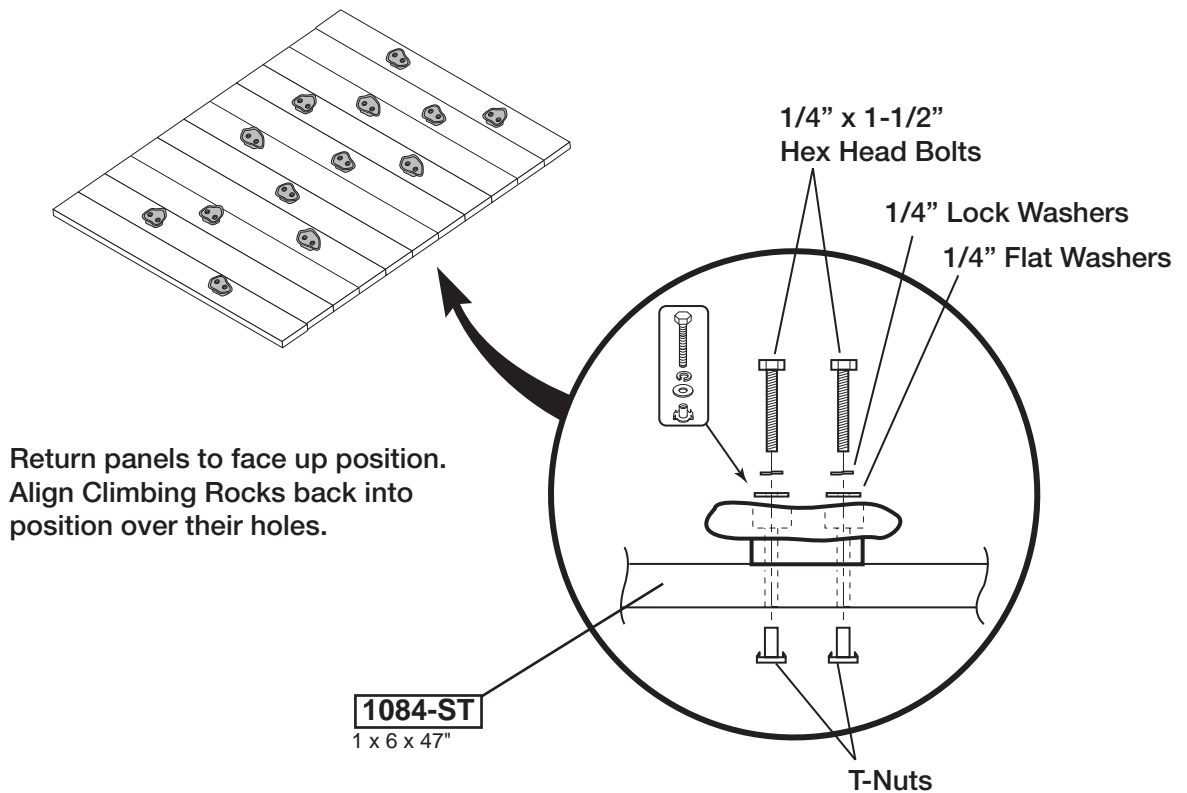
## INSTALL T-NUTS

Turn all eleven 1026-ST panels over (lay on a soft but firm surface). Pound in 1/4" T-Nuts (in separate bag 2452) at each hole location.



## ROCK WALL

## INSTALL ROCKS



# ROCK WALL

# INSTALL

Install top rock wall board (1084-ST) flush to edge of fort floor using four 2-1/2" screws as shown.  
Secure rock wall cleat (2548-ST) with two 1-5/8" screws centered through middle holes of (1084-ST) top board.

Upper end of rock wall cleat (2548-ST) should be 1/2" below top of (1084-ST) top board.  
Make sure rock wall cleat (2548-ST) is pulled tightly against back of (1084-ST) top board.

2-1/2" Screws  
x4

1-5/8" Screws  
x2

1 x 6 x 47"  
1084-ST x1

1/2"

Center

Flush

LEFT SIDE

2548-ST x1  
3/4 x 2-1/2 x 59-1/2"

RIGHT SIDE

# ROCK WALL

# INSTALL

2-1/2" Screws  
(x40)

2548-ST

LEFT SIDE

1084-ST x10  
1 x 6 x 47"

RIGHT SIDE

1-5/8" Screws  
x2

Center

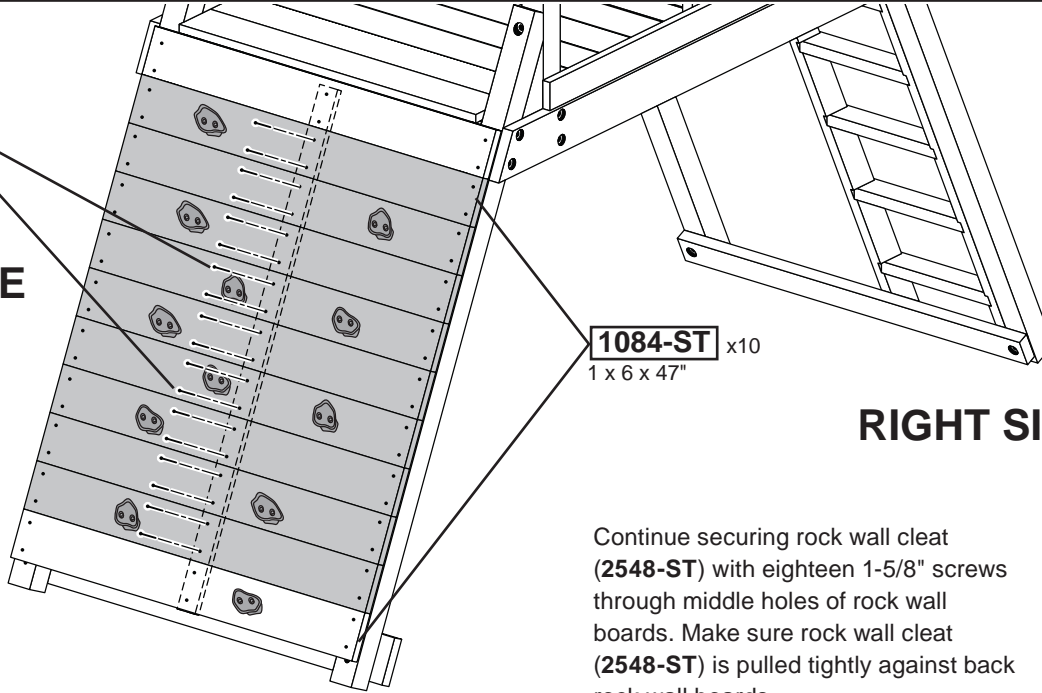
Secure rock wall cleat (2548-ST) with two 1-5/8" screws through two middle holes of **lowest board**. Make sure rock wall cleat (2548-ST) is centered and pulled tightly against back of **lowest board**.

# ROCK WALL

# INSTALL

1-5/8" Screws  
(x18)

LEFT SIDE



**1084-ST** x10  
1 x 6 x 47"

RIGHT SIDE

Continue securing rock wall cleat (2548-ST) with eighteen 1-5/8" screws through middle holes of rock wall boards. Make sure rock wall cleat (2548-ST) is pulled tightly against back rock wall boards.

# FORT

# SWING SIDE WALL

RIGHT SIDE

INSTALL THESE TWO  
BALUSTERS FIRST.

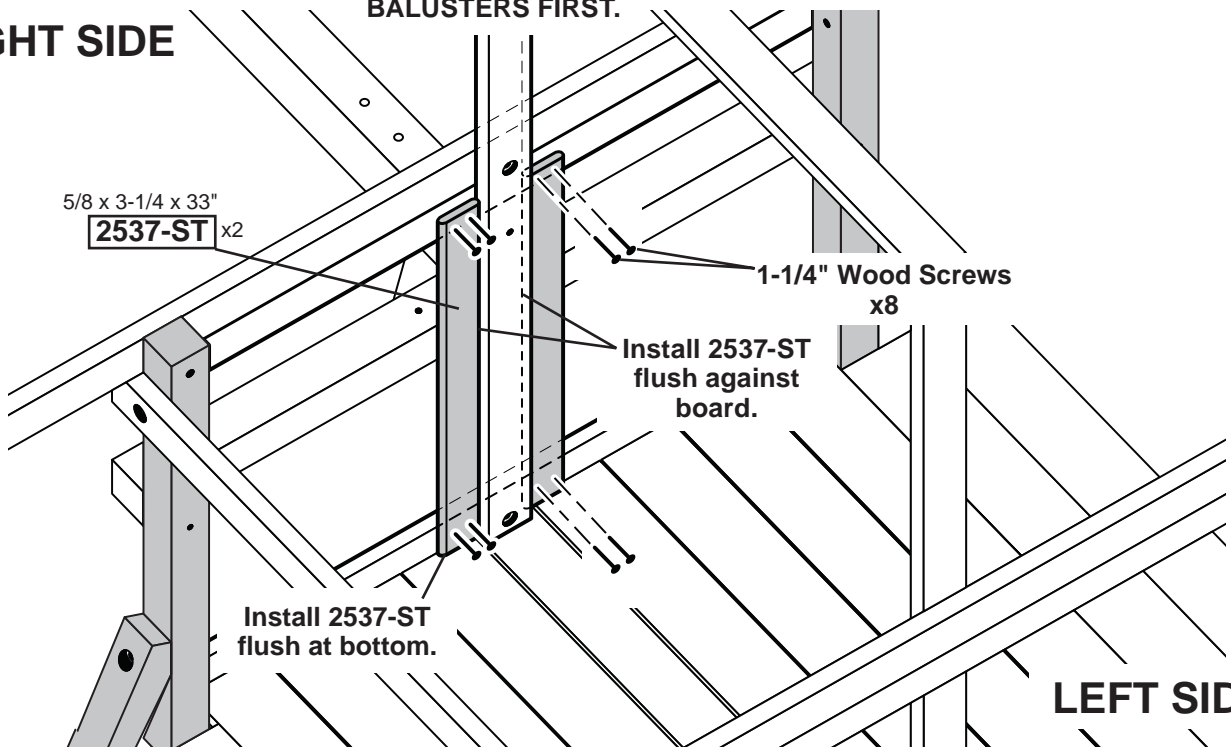
5/8 x 3-1/4 x 33"  
**2537-ST** x2

1-1/4" Wood Screws  
x8

Install 2537-ST  
flush against  
board.

Install 2537-ST  
flush at bottom.

LEFT SIDE

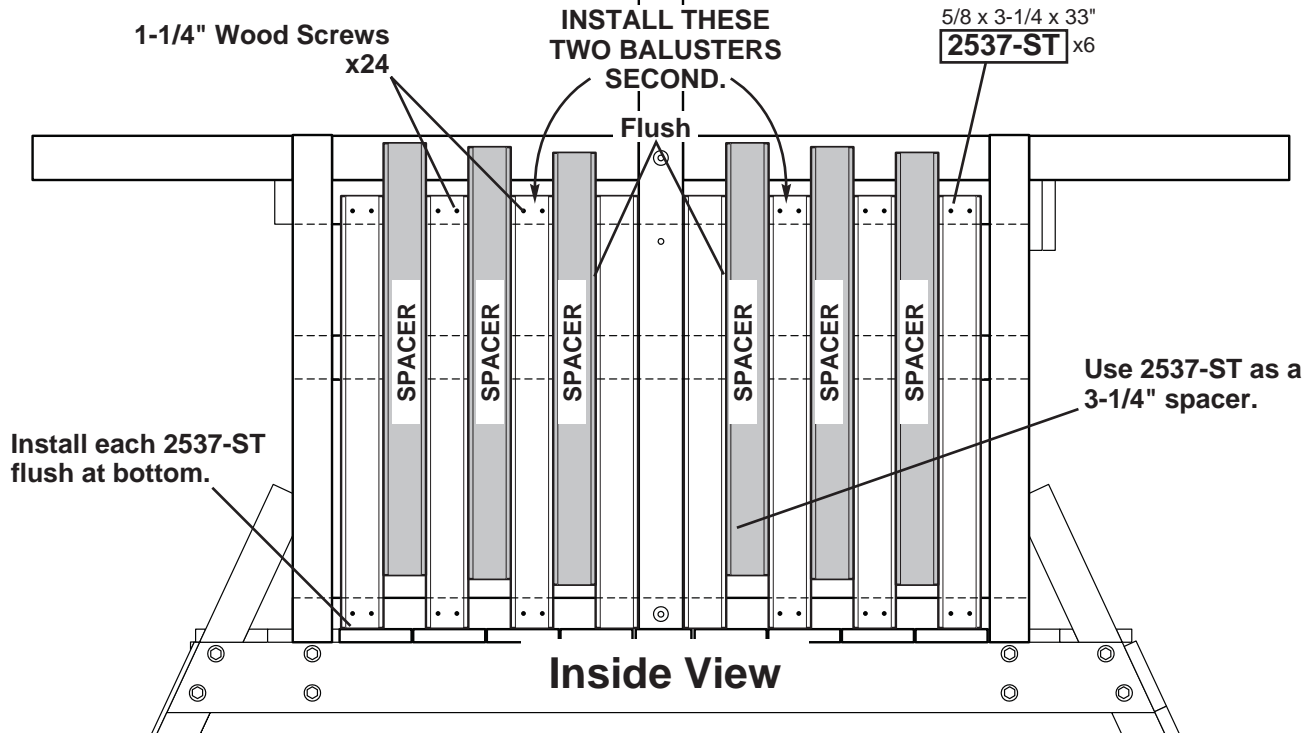




# FORT

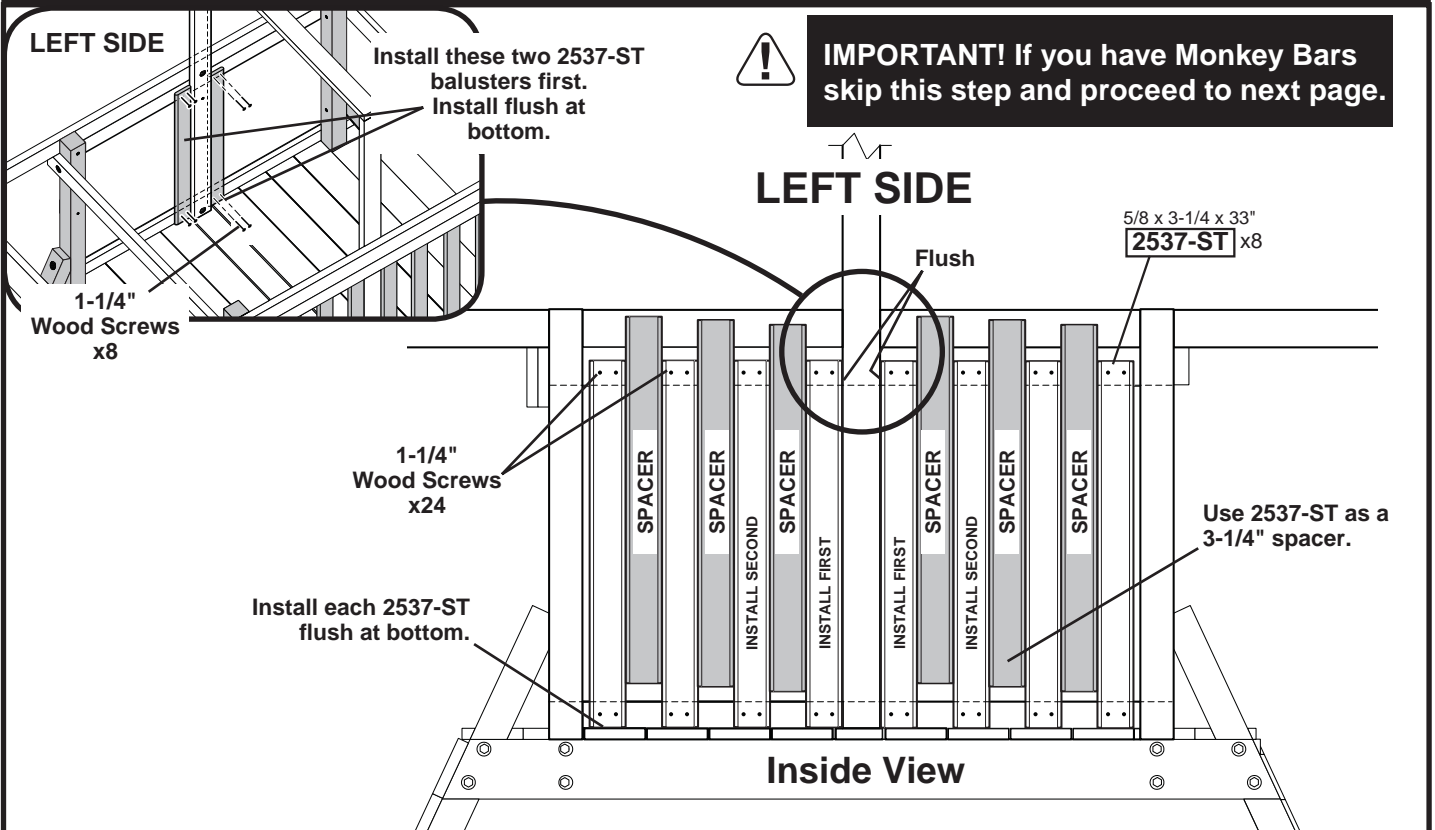
# SWING SIDE WALL

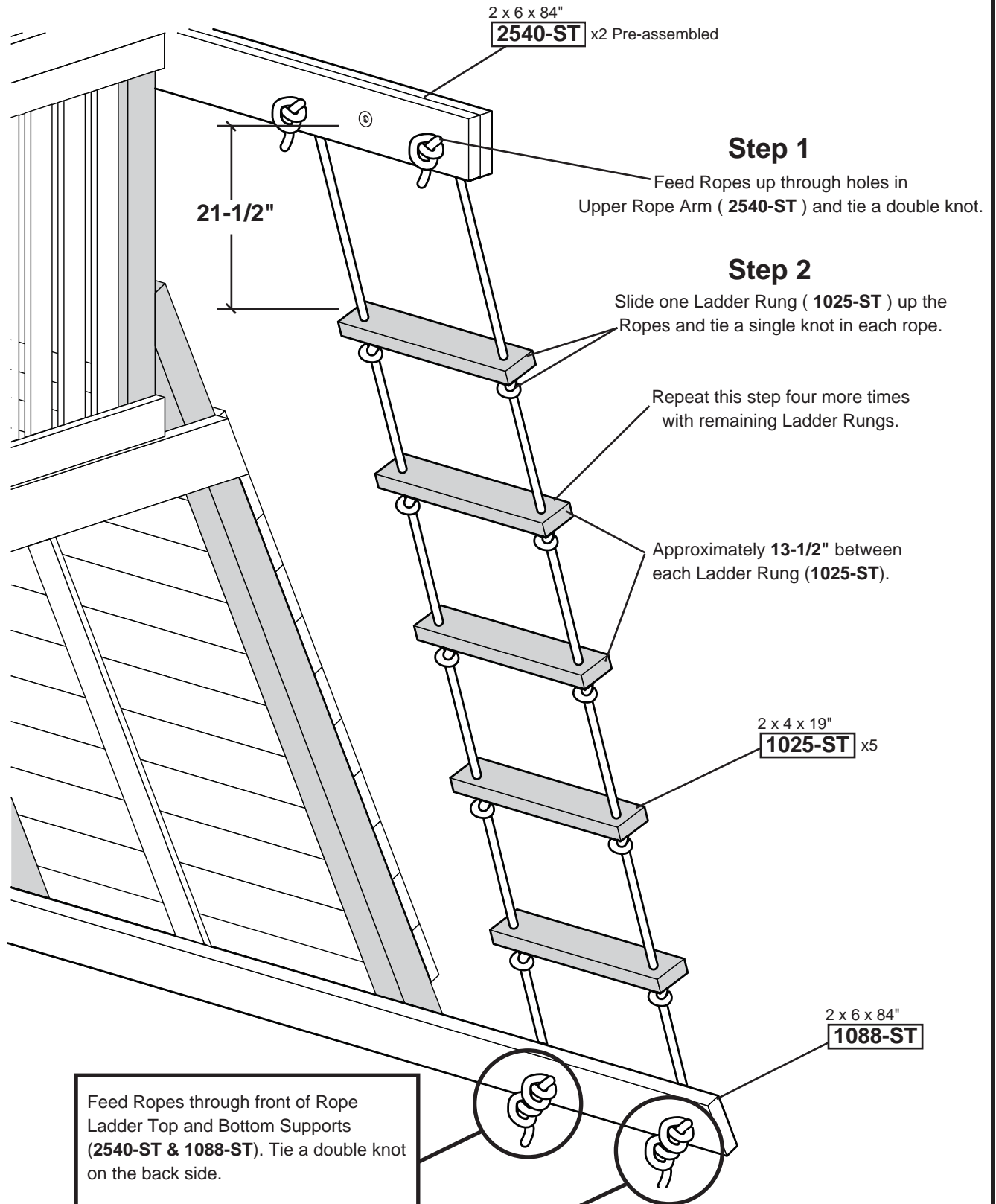
## RIGHT SIDE



# FORT

# LEFT SIDE WALL



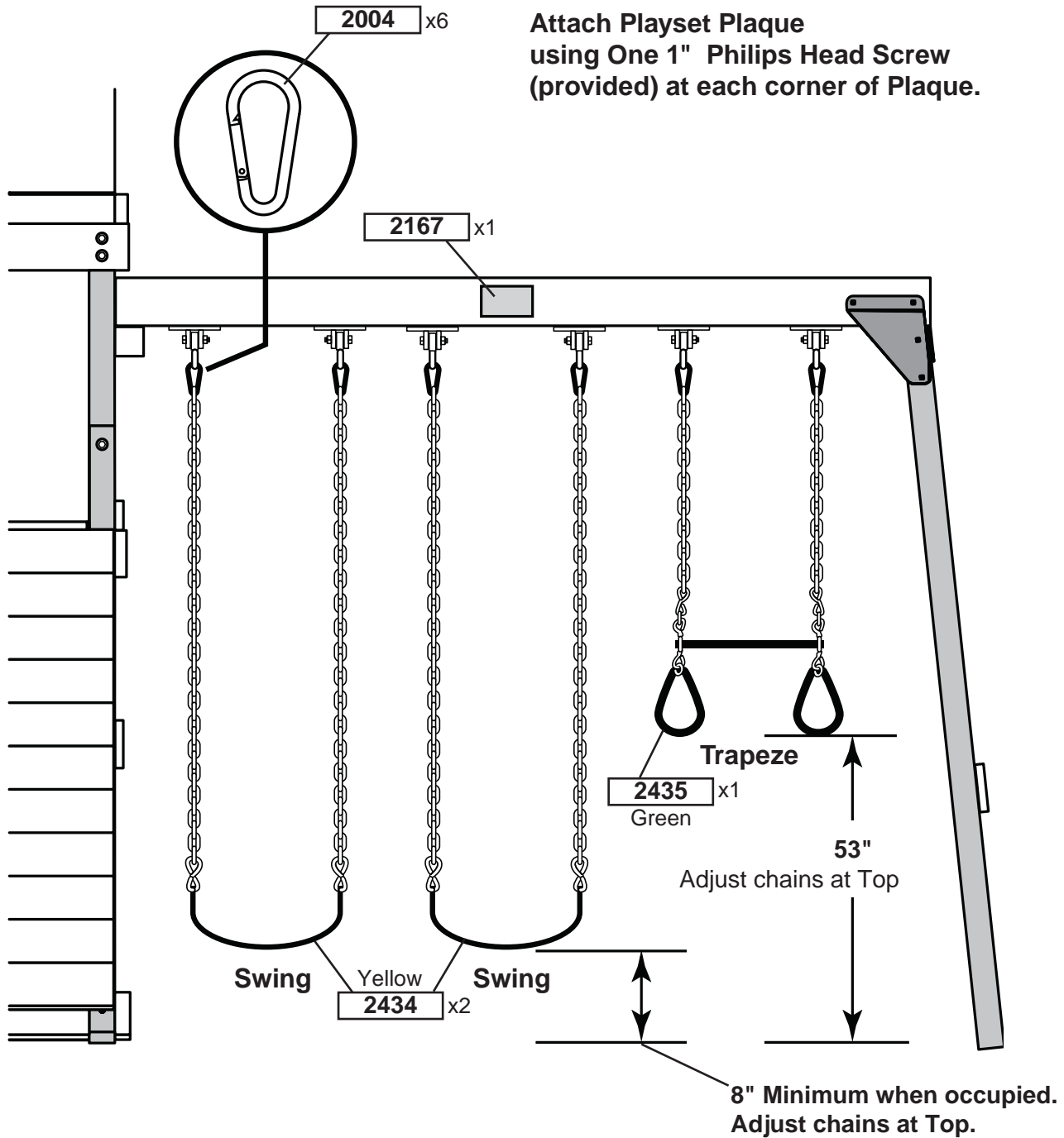


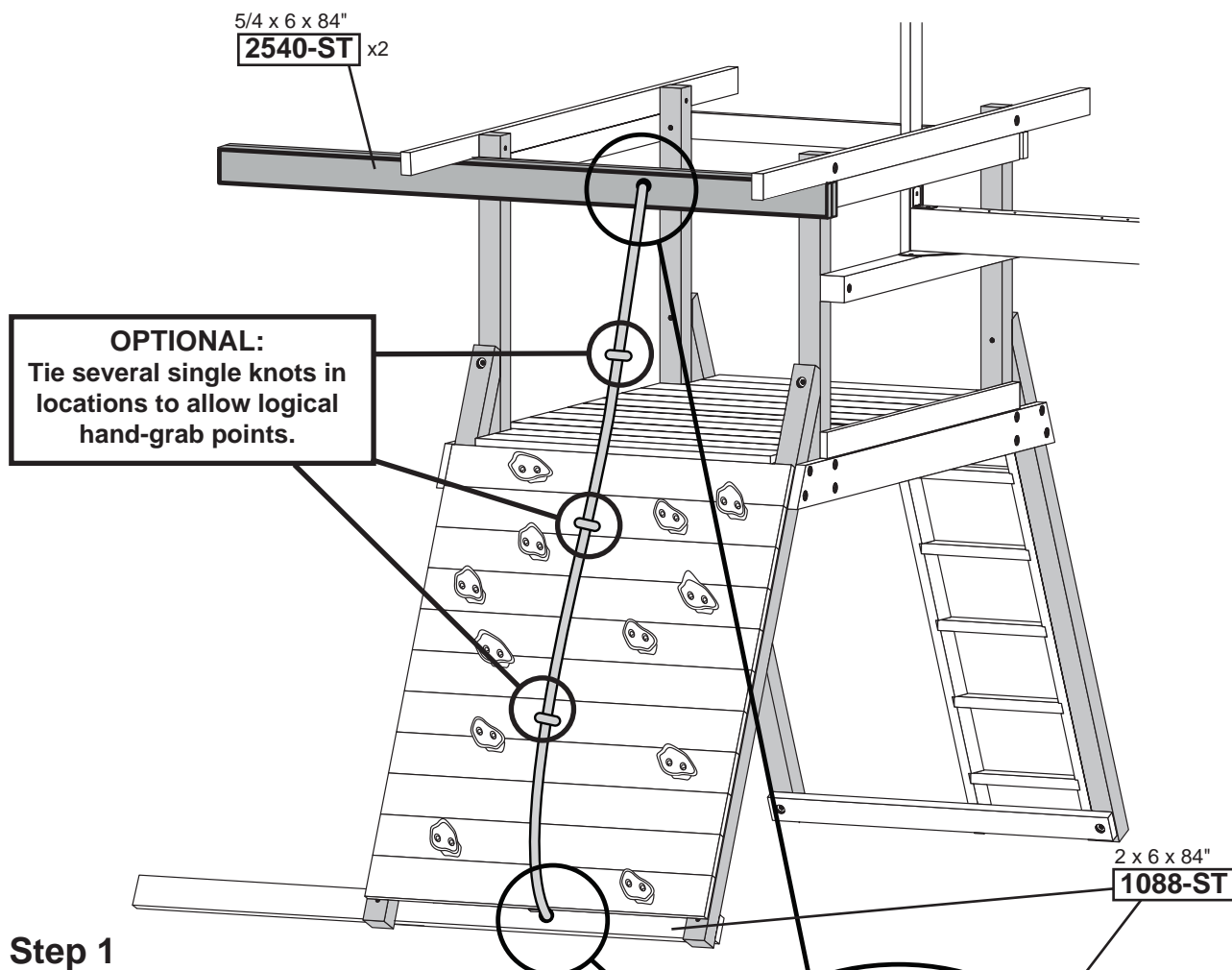
Feed Ropes through front of Rope Ladder Top and Bottom Supports (**2540-ST & 1088-ST**). Tie a double knot on the back side.

For Safety, keep tying double knots until there is no remaining loose rope.

Do not cut ends of rope.

Clip a Spring Clip at the end of each Swing and Trapeze chain. Then, using the Spring Clips, attach the Swings and Trapeze to the swing brackets on the swing beam, as shown below.





**Step 1**

Feed top of Climbing Rope through front of Upper Rail ( **2540-ST** ) and tie a double knot on the back side (Fig. 1).

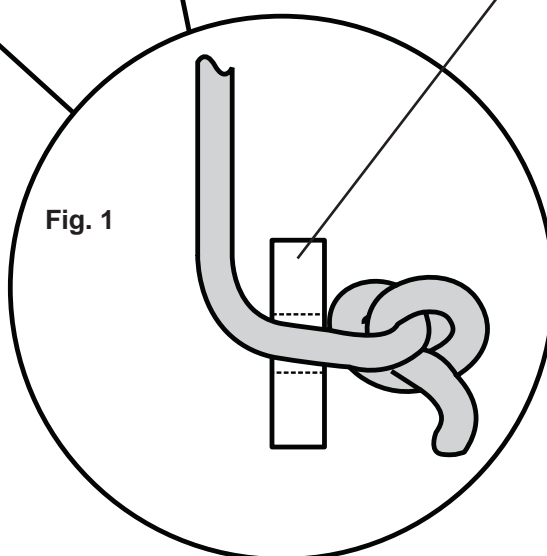
**Step 2**

Feed lower end of Climbing Rope through hole in Lower Rail ( **2540-ST** ) and tie a double knot on the back side (Fig. 1).

For Safety, insure that the rope is tight enough so that it can not be looped back on itself.

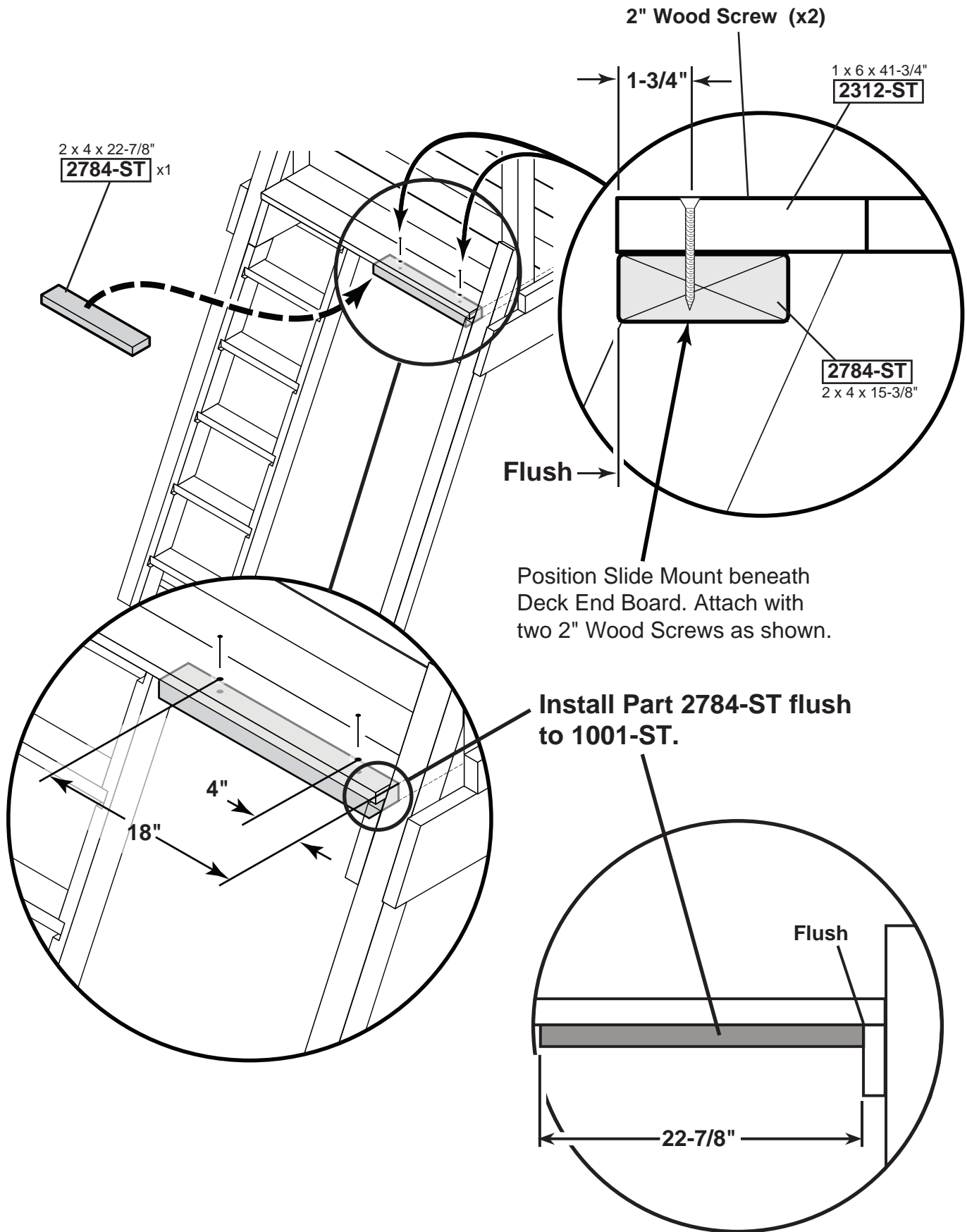
Keep tying double knots at the bottom end of rope until there is no remaining loose rope.

Do not cut ends of rope.



# SLIDE

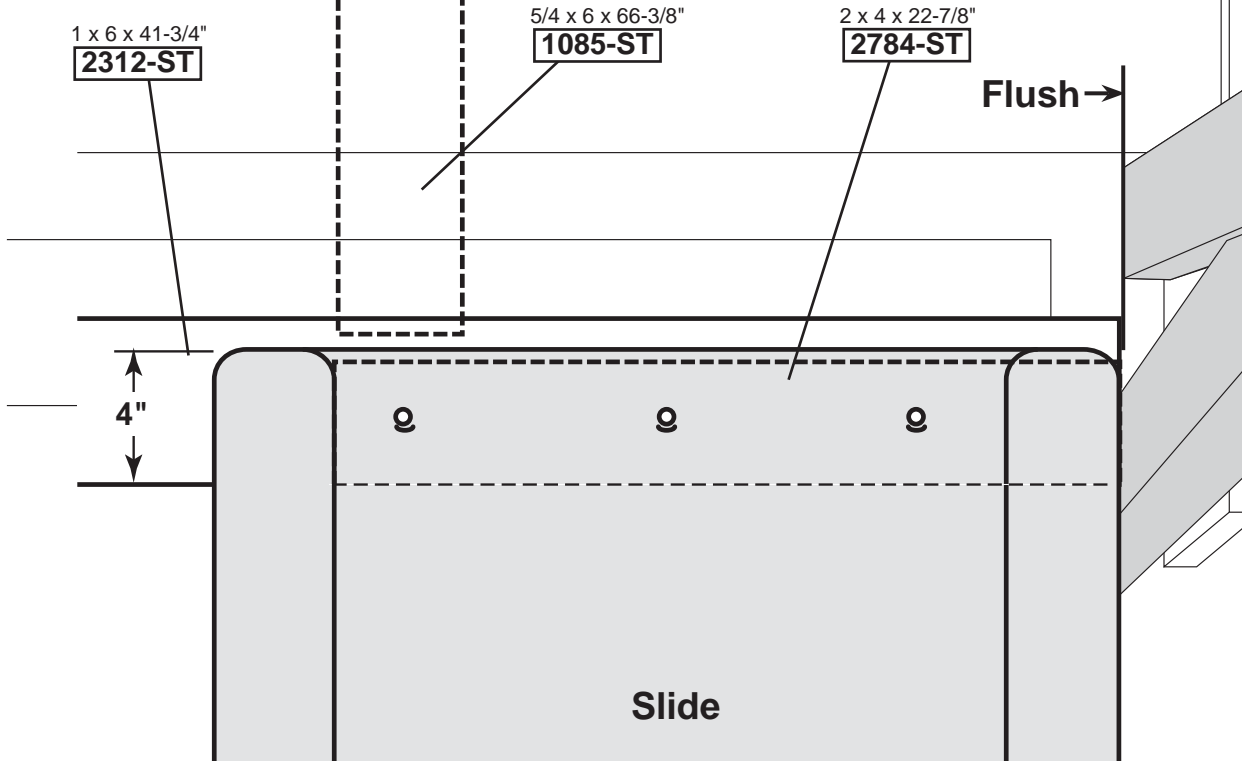
# SLIDE MOUNT INSTALL



**SLIDE**

**MEASURE**

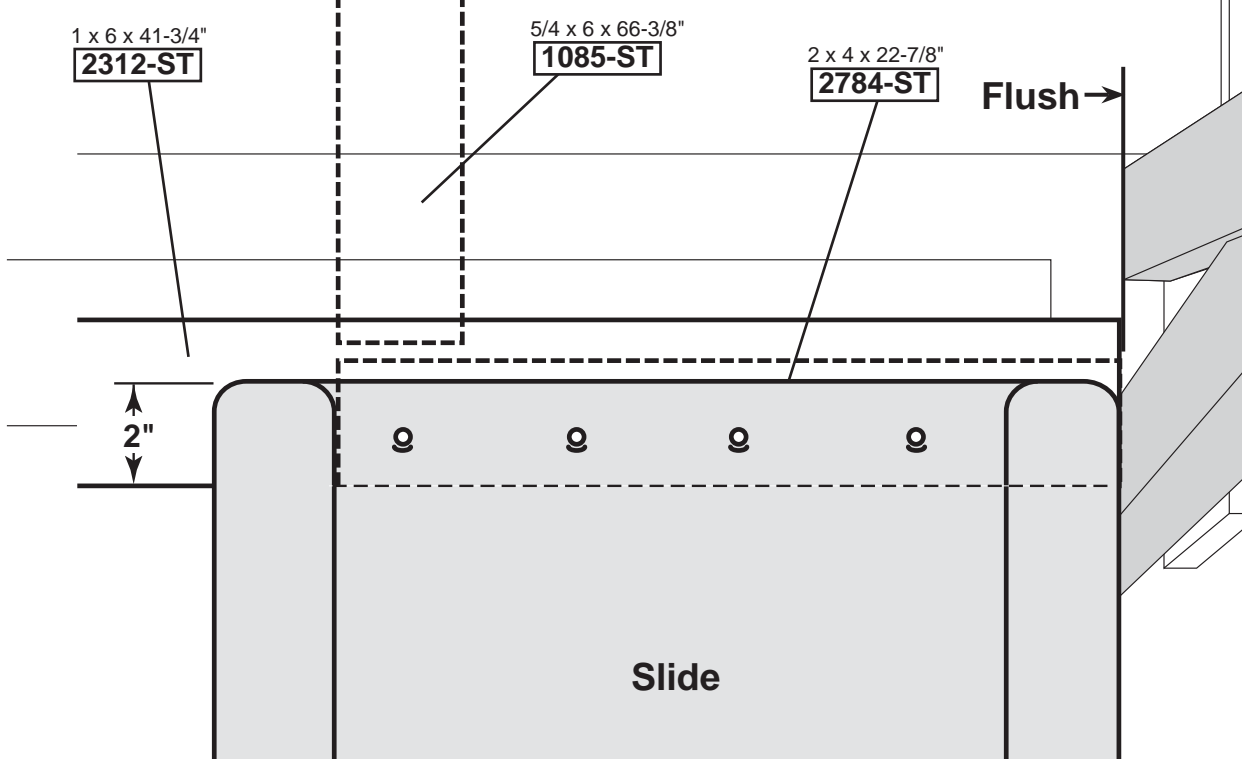
**NOTE: IF SLIDE HAS THREE HOLES, INSTALL 4" FROM FRONT OF DECK.**



**SLIDE**

**MEASURE**

**NOTE: IF SLIDE HAS FOUR HOLES, INSTALL 2" FROM FRONT OF DECK.**



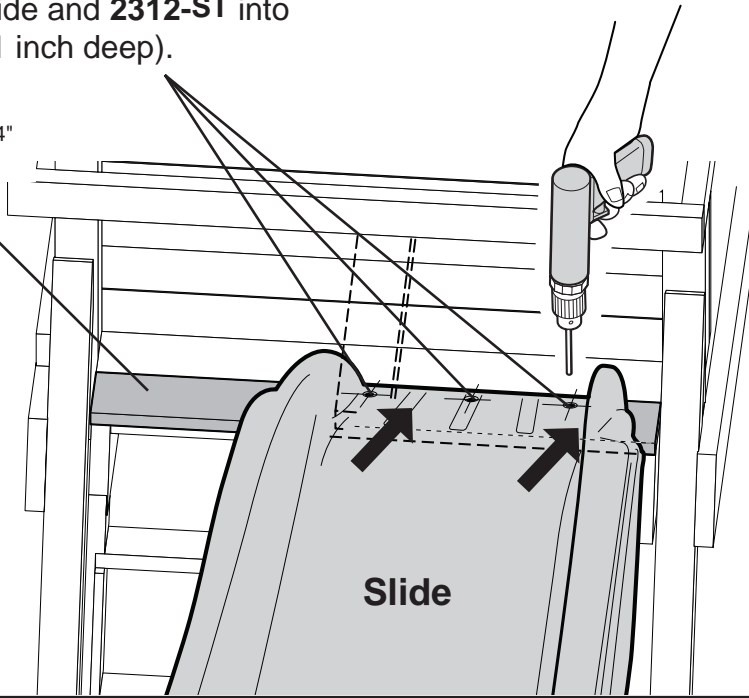
# SLIDE

# DRILL

**NOTE: DEPENDING ON YOUR SLIDE, INSTALL WITH THREE OR FOUR SCREWS.**

Drill 1/8" holes at dimples through Slide and **2312-ST** into **2784-ST** (1 inch deep).

5/4 x 6 x 41-3/4"  
**2312-ST**



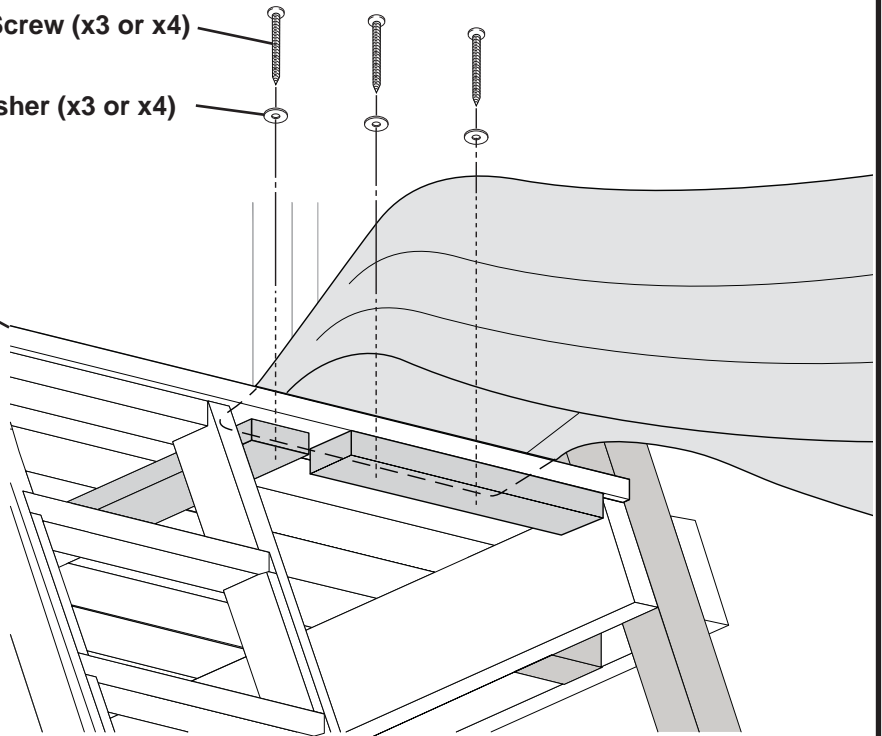
# SLIDE

# MOUNTING SCREWS

2-1/2" Pan Head Wood Screw (x3 or x4)

1/4" x 1" Fender Washer (x3 or x4)

5/4 x 6 x 41-3/4"  
**2312-ST**

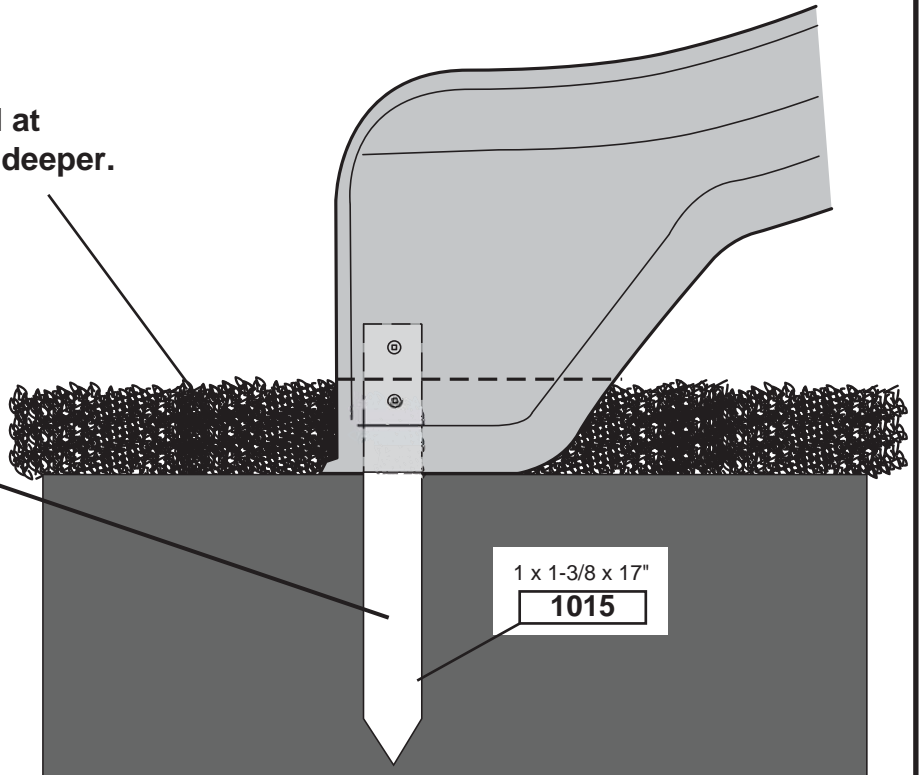


## SLIDE

## SURFACING MATERIAL (not supplied)

Apply Surfacing Material at recommended depth, or deeper.

Hammer 1015 Ground Stake into ground on either side of slide and attach to slide wall using (2) 1" Screws.

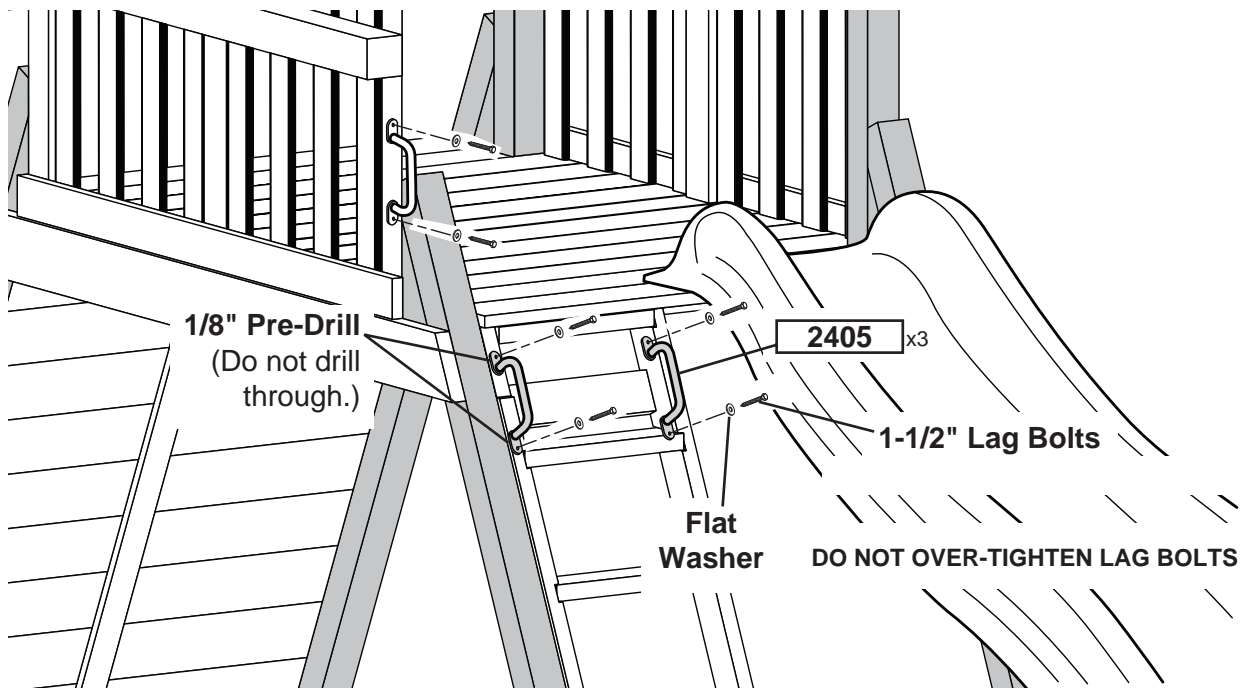


## SAFETY HANDLES

## INSTALL

Attach Left and Right Safety Handles to the Step Ladder Rails with two 1/4" x 1-1/2" Lag Bolts through 1/4" Flat Washers. Attach third Safety Handle as shown.

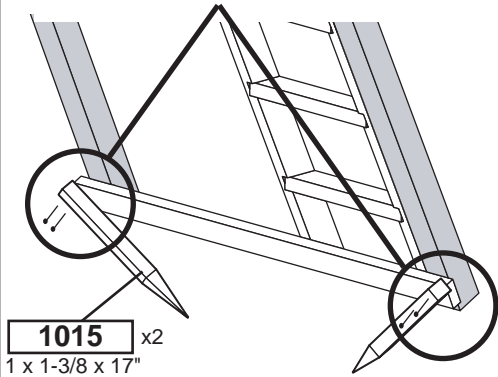
The height of the handles is to be determined by the customer - depending on the age of the child, etc.



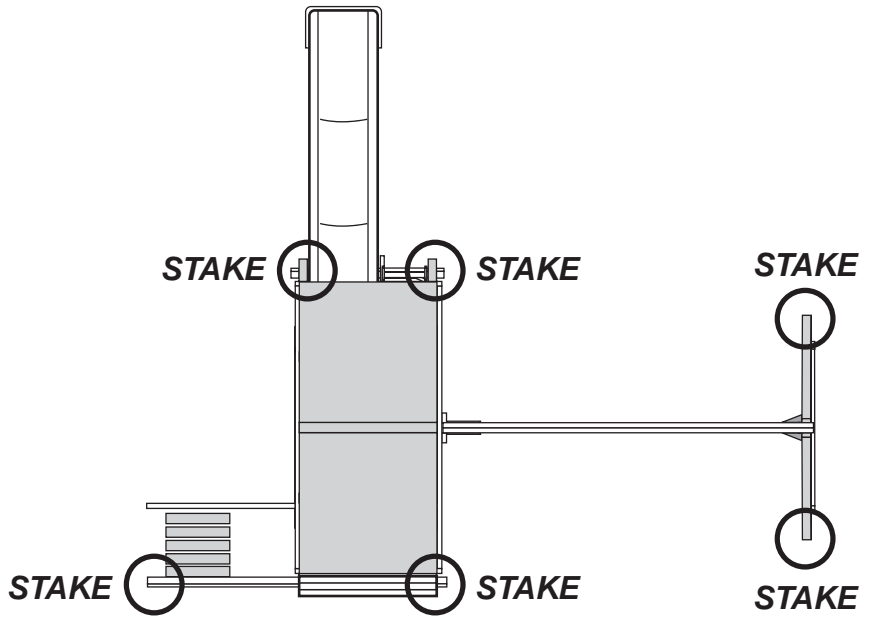


# STAKES

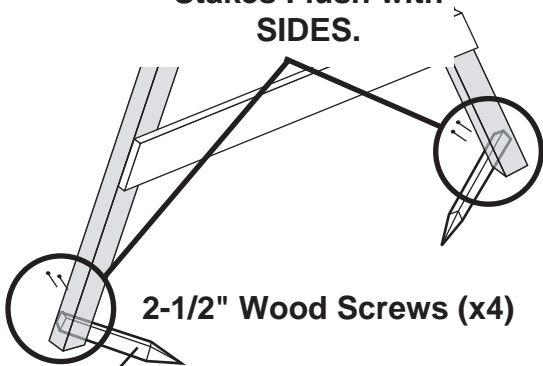
**Stakes Flush with TOP.**



**2-1/2" Wood Screws (x4)**



**Stakes Flush with SIDES.**



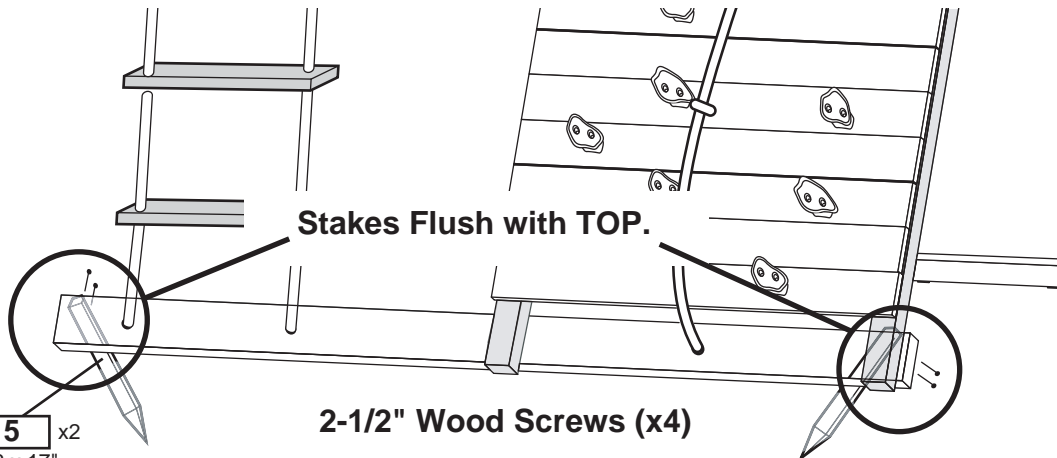
**2-1/2" Wood Screws (x4)**

**Pound in Stakes (1015) at 45 degree angle.**

**Make sure all base pieces, uprights and slide are resting flat on the ground.**

**It may be necessary to loosen the soil beneath Playset to make everything level.**

**1015** x2  
1 x 1-3/8 x 17"



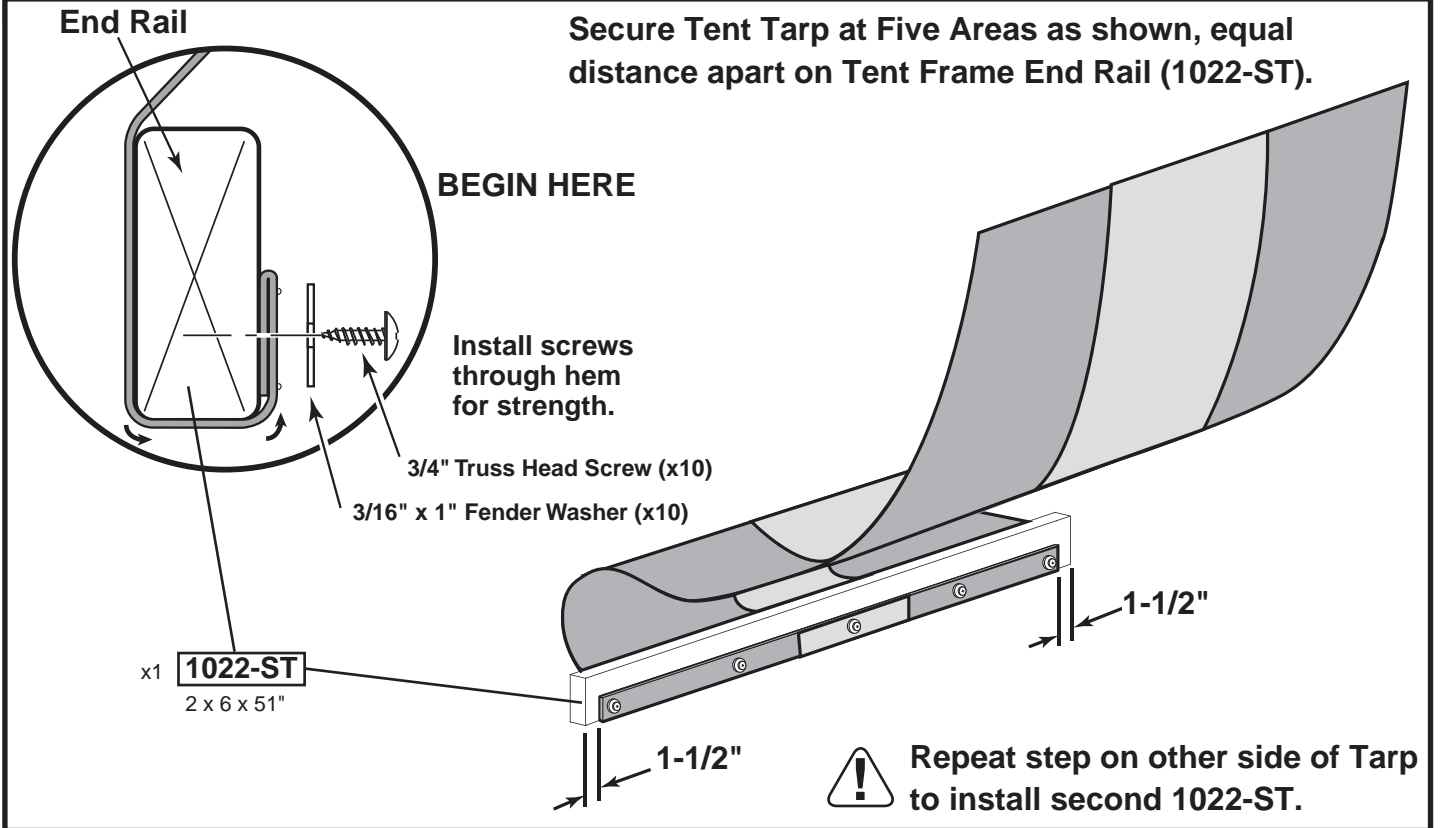
**Stakes Flush with TOP.**

**2-1/2" Wood Screws (x4)**

**1015** x2  
1 x 1-3/8 x 17"

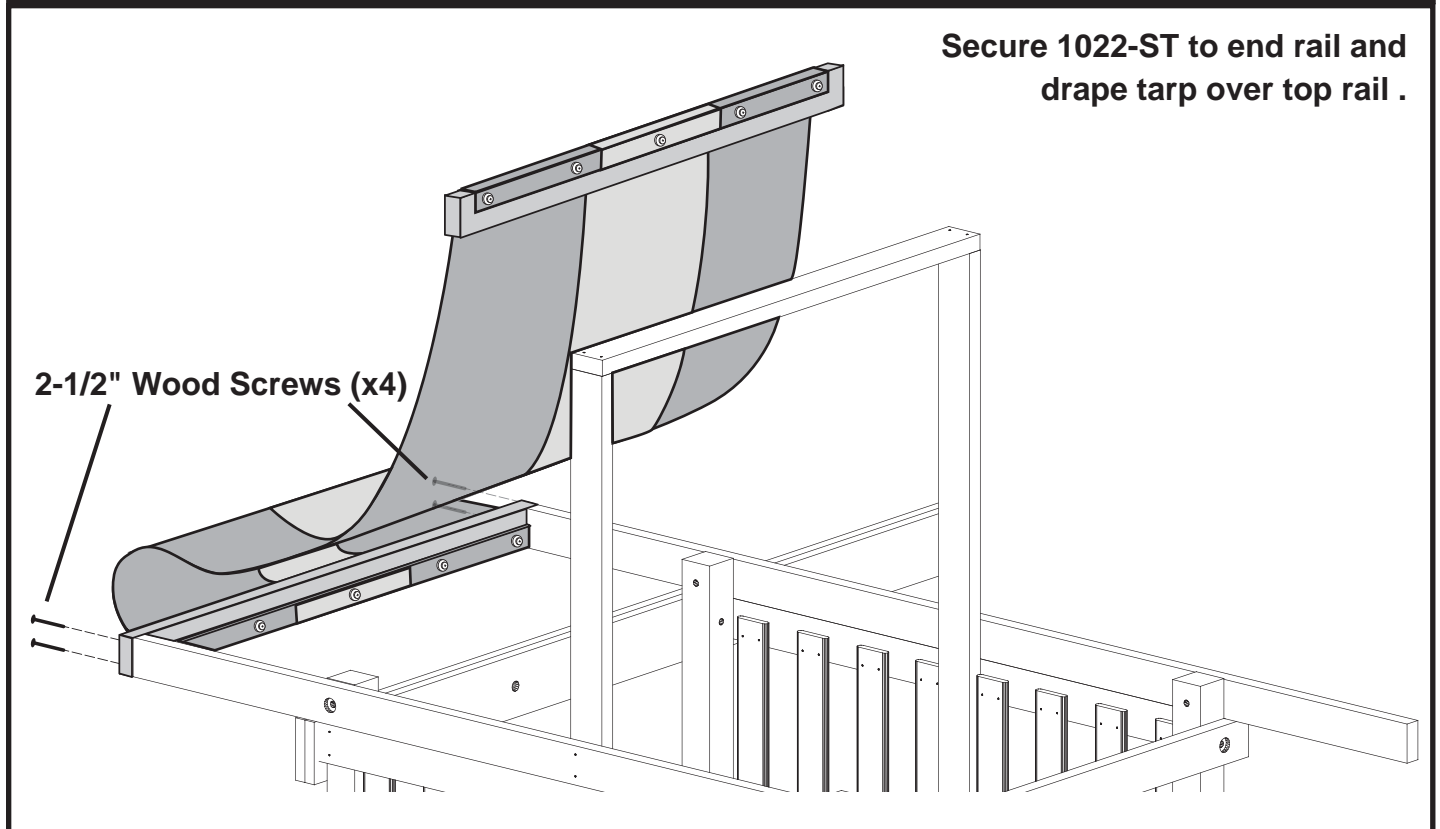
# TENT TARP

# INSTALL



# TENT TARP

# INSTALL



# TENT TARP

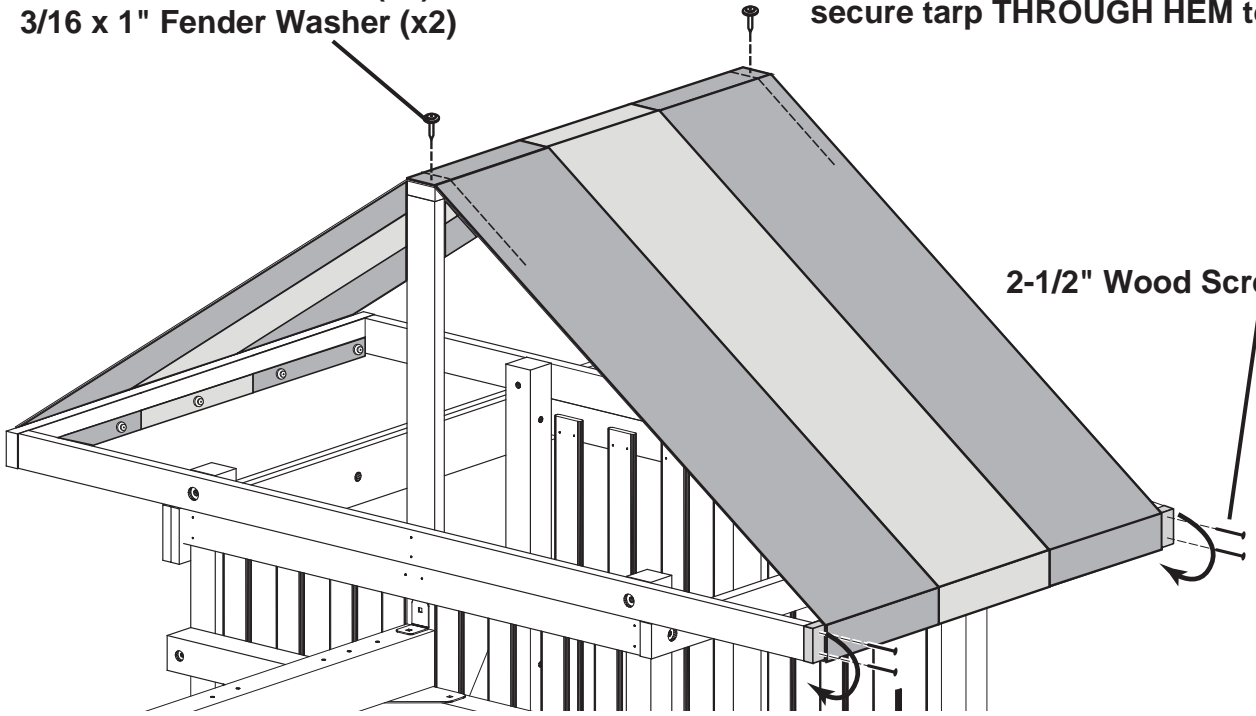
# INSTALL

3/4" Truss Head Screw (x2) +  
3/16 x 1" Fender Washer (x2)



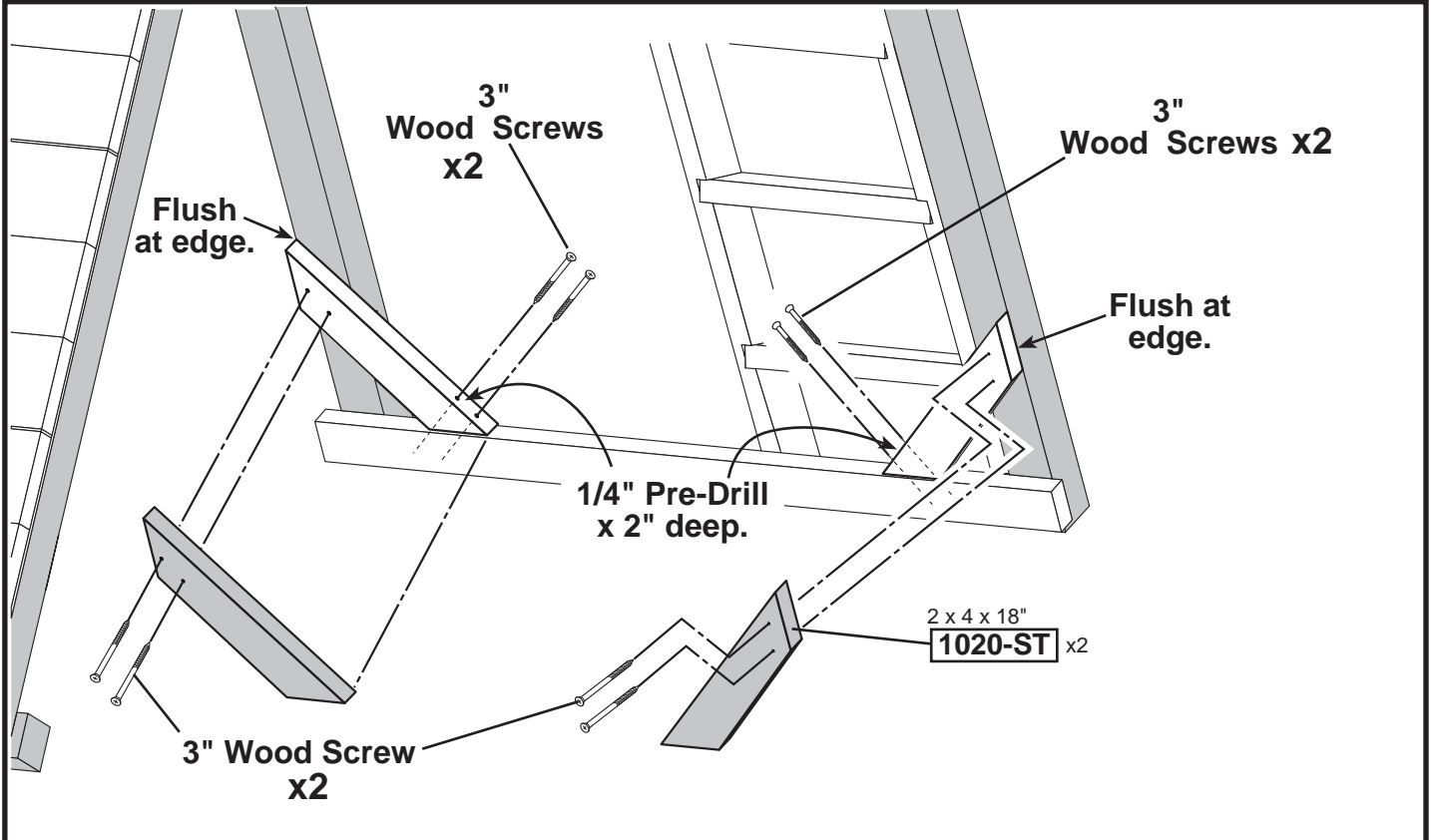
**HINT:** You may have to roll 1022-ST over to make Tarp taut. Once second 1022-ST is attached, secure tarp THROUGH HEM to top rail.

2-1/2" Wood Screws (x4)



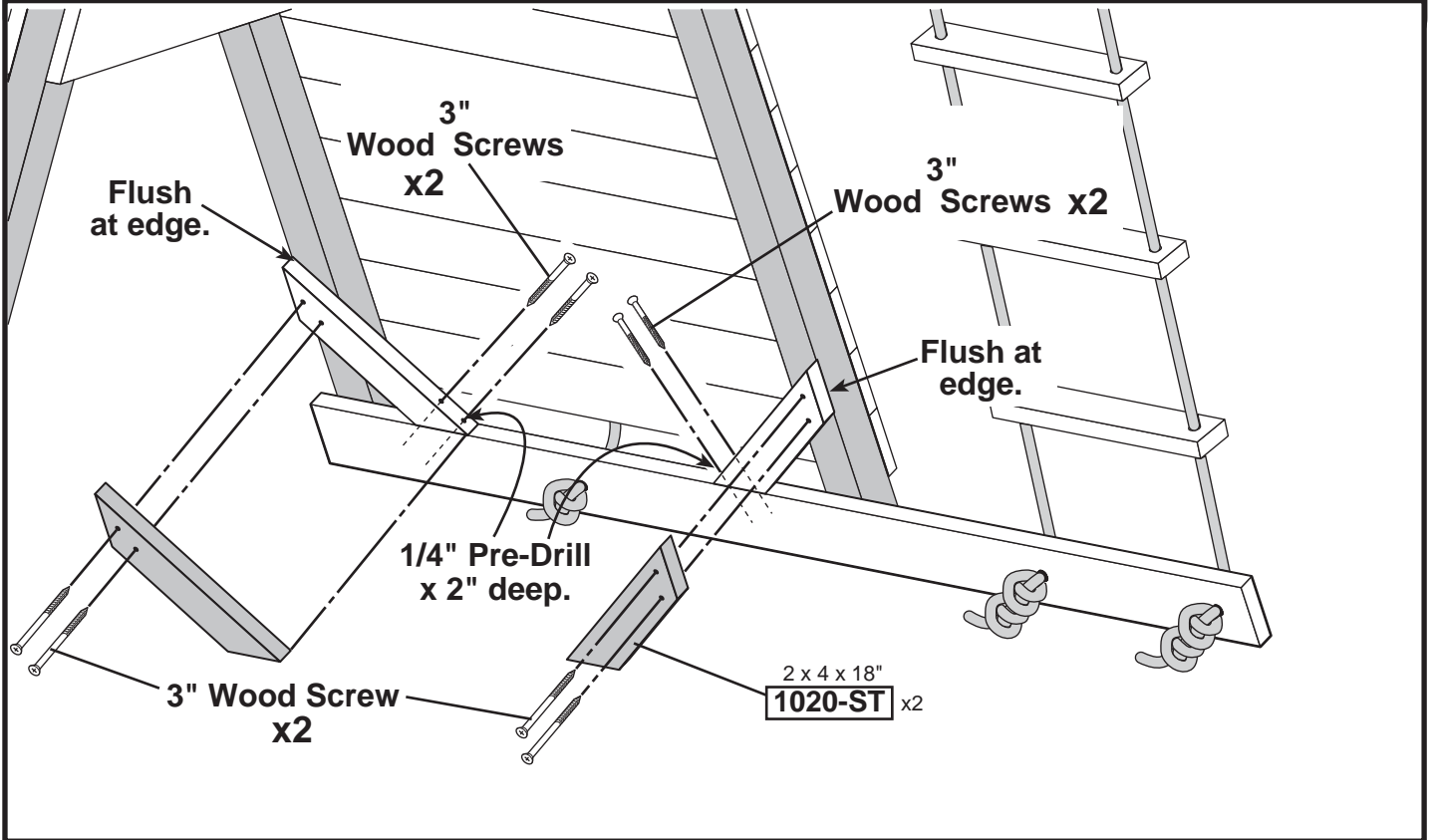
# BACK BOTTOM END RAIL GUSSETS

# INSTALL



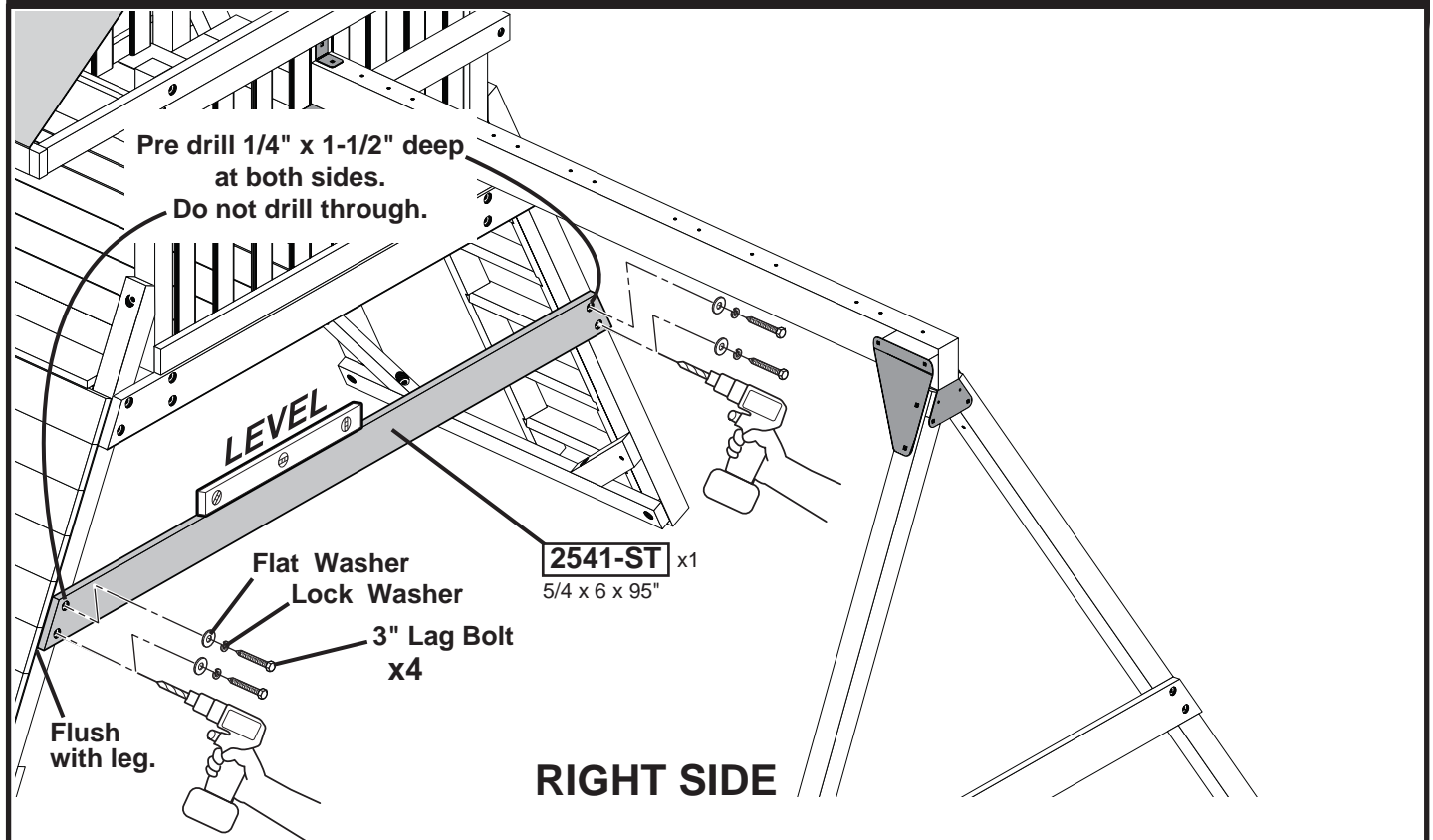
# ROPE LADDER BOTTOM SUPPORT GUSSETS

# INSTALL



# SWING SAFETY BARRIER

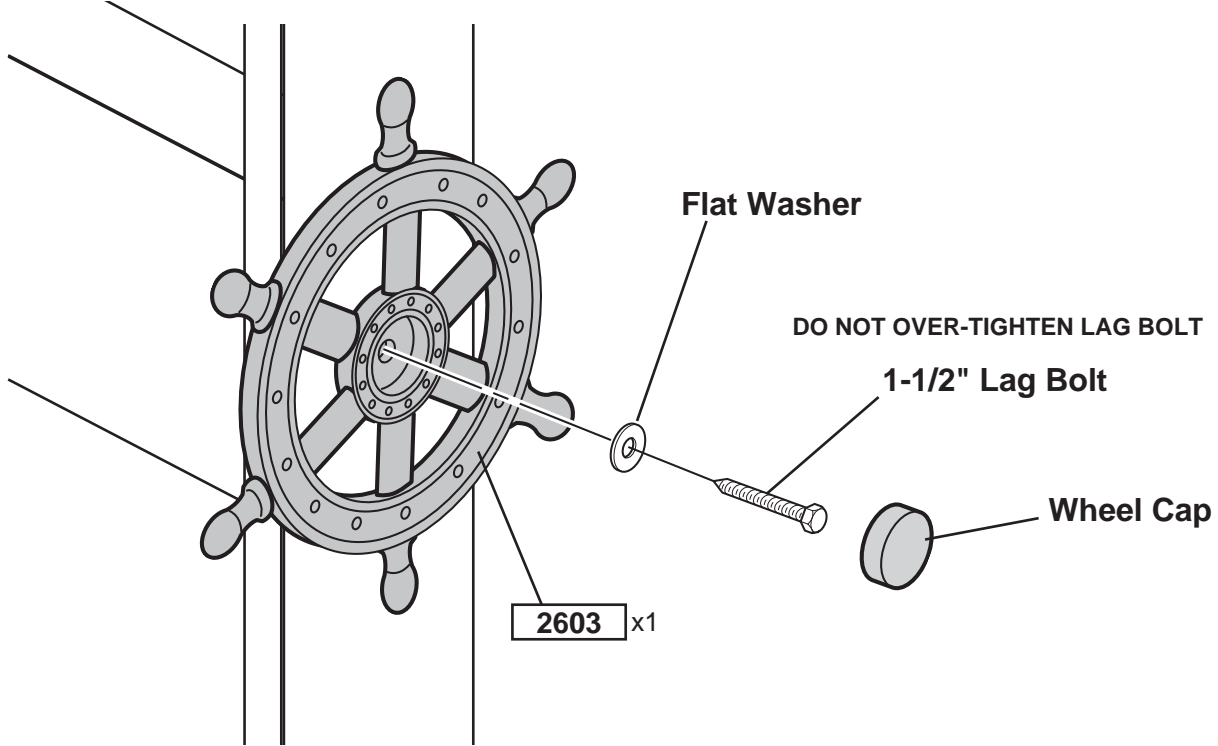
# INSTALL



# STEERING WHEEL

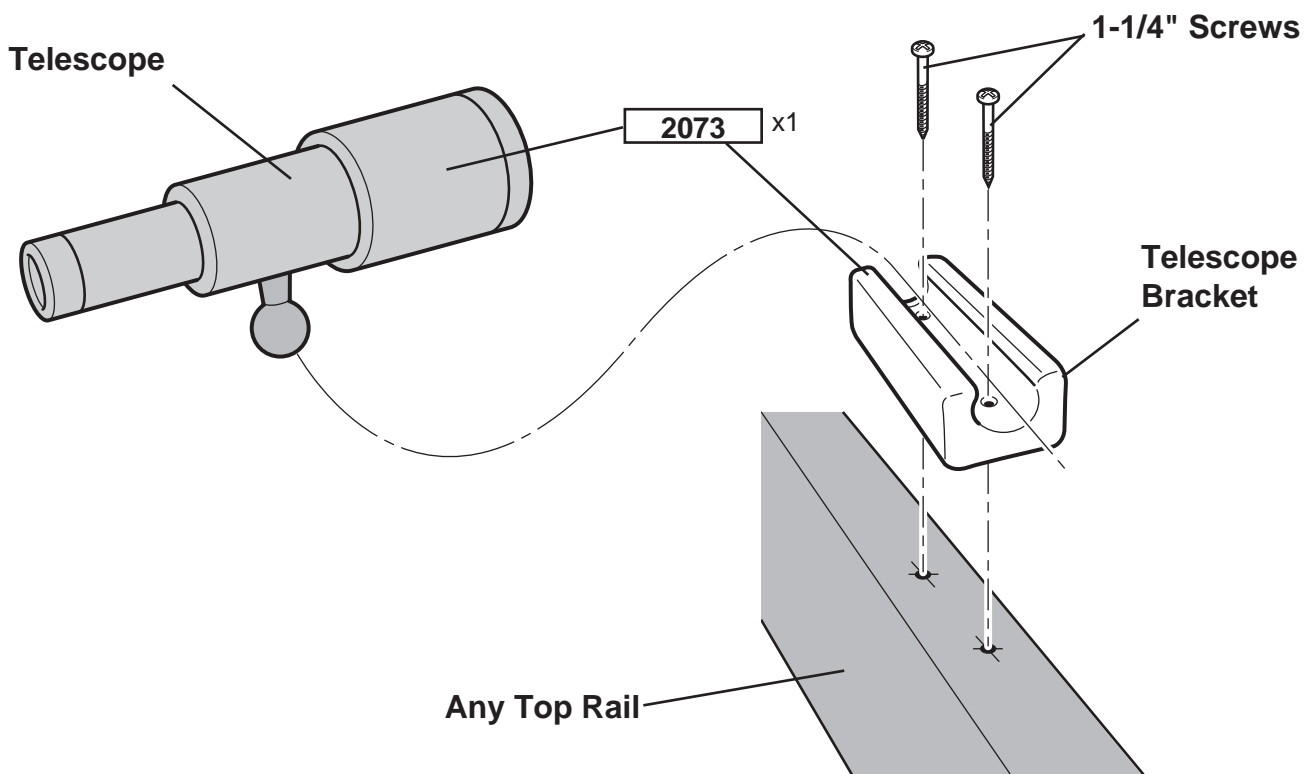
# INSTALL

Install 2603 aligned with swing beam inside fort.



# TELESCOPE

# INSTALL





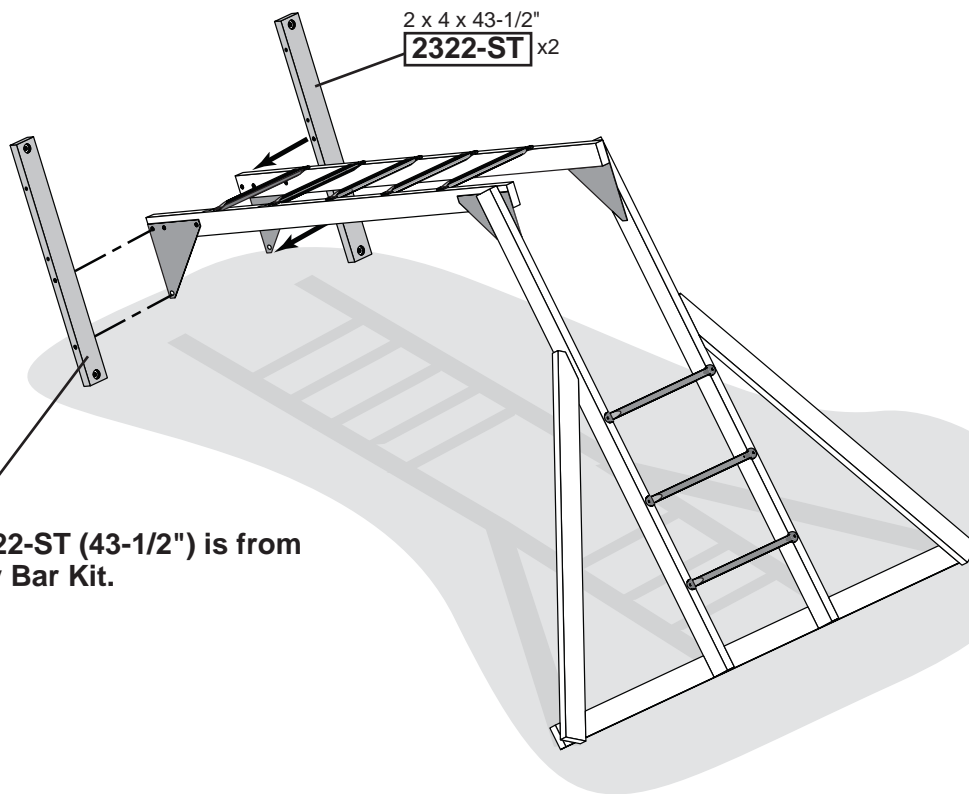
**YOU HAVE FINISHED YOUR BASE PLAYSET.**

**IF YOU HAVE MONKEY BARS PROCEED TO NEXT PAGE.**

**THE TIRE SWING KIT MAY BE INSTALLED NOW.  
REFER TO THE TIRE SWING INSTALLATION MANUAL.**

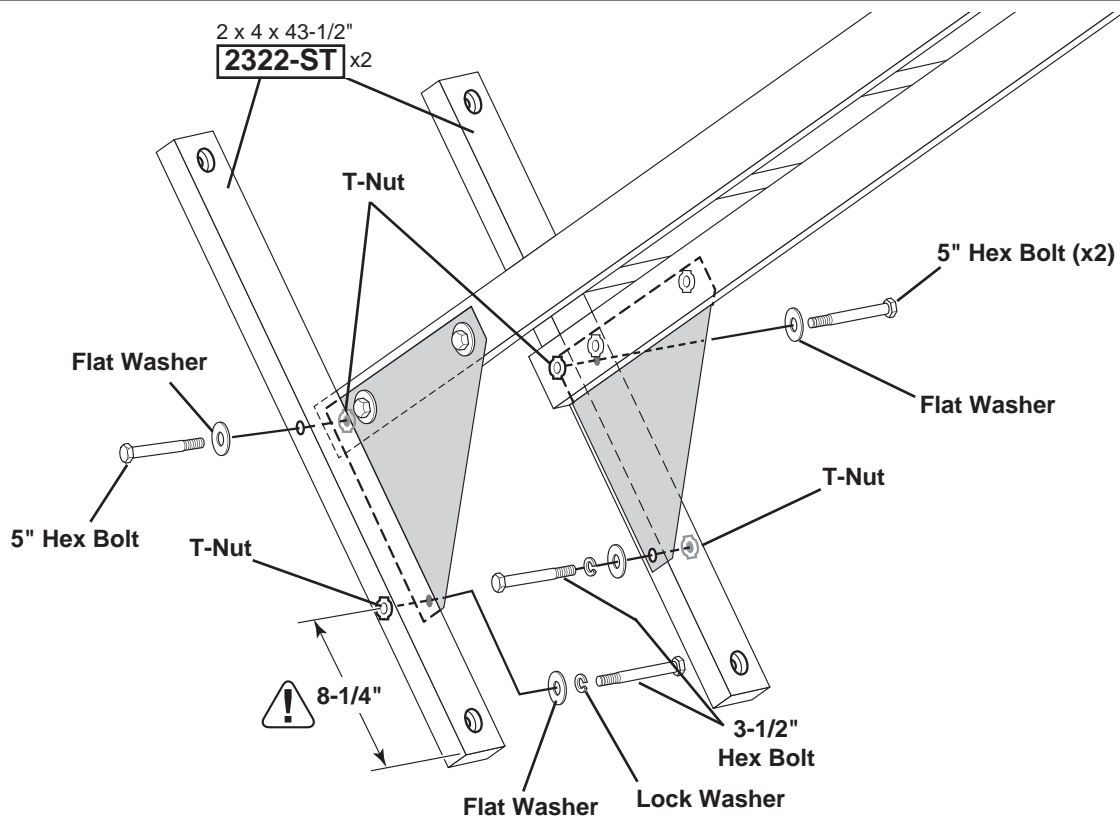
# TOP LADDER SUPPORTS

# INSTALL



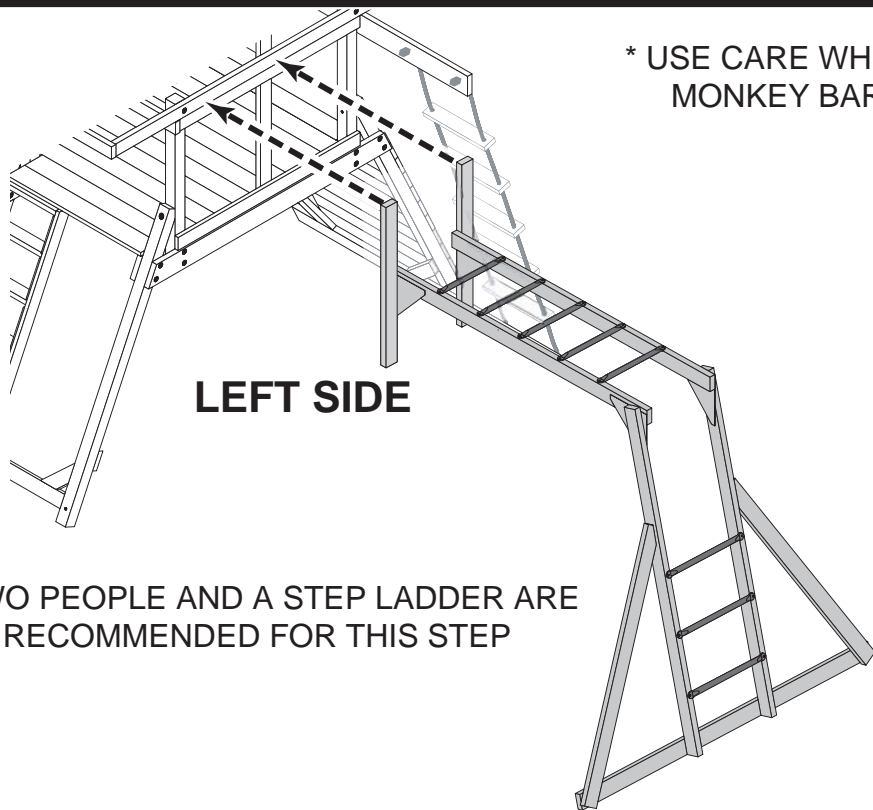
# TOP LADDER SUPPORTS

# INSTALL



# MONKEY BAR

# INSTALL POSITION



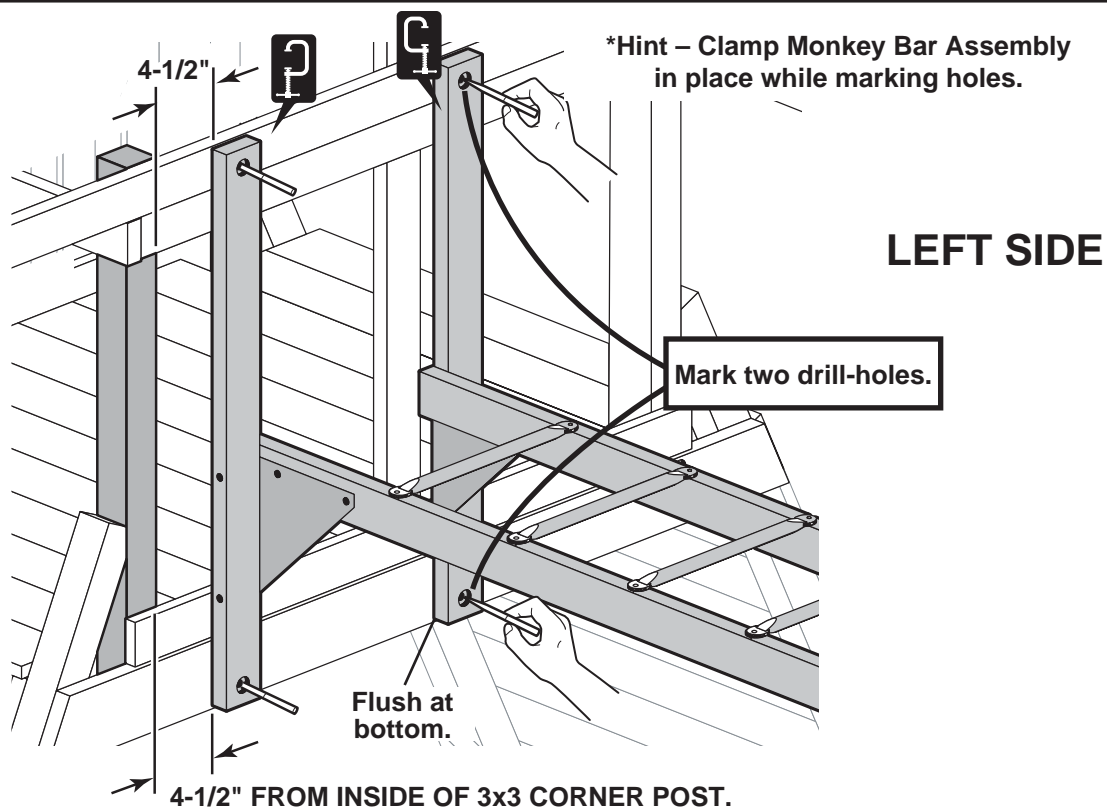
\* USE CARE WHEN INSTALLING MONKEY BAR ASSEMBLY

LEFT SIDE

\* TWO PEOPLE AND A STEP LADDER ARE RECOMMENDED FOR THIS STEP

# MONKEY BAR

# INSTALL - STEP 1



\*Hint - Clamp Monkey Bar Assembly in place while marking holes.

LEFT SIDE

Mark two drill-holes.

Flush at bottom.

4-1/2" FROM INSIDE OF 3x3 CORNER POST.



# MONKEY BAR

# INSTALL - STEP 2

SEE PAGE 8

- 1
- 2

LEFT SIDE

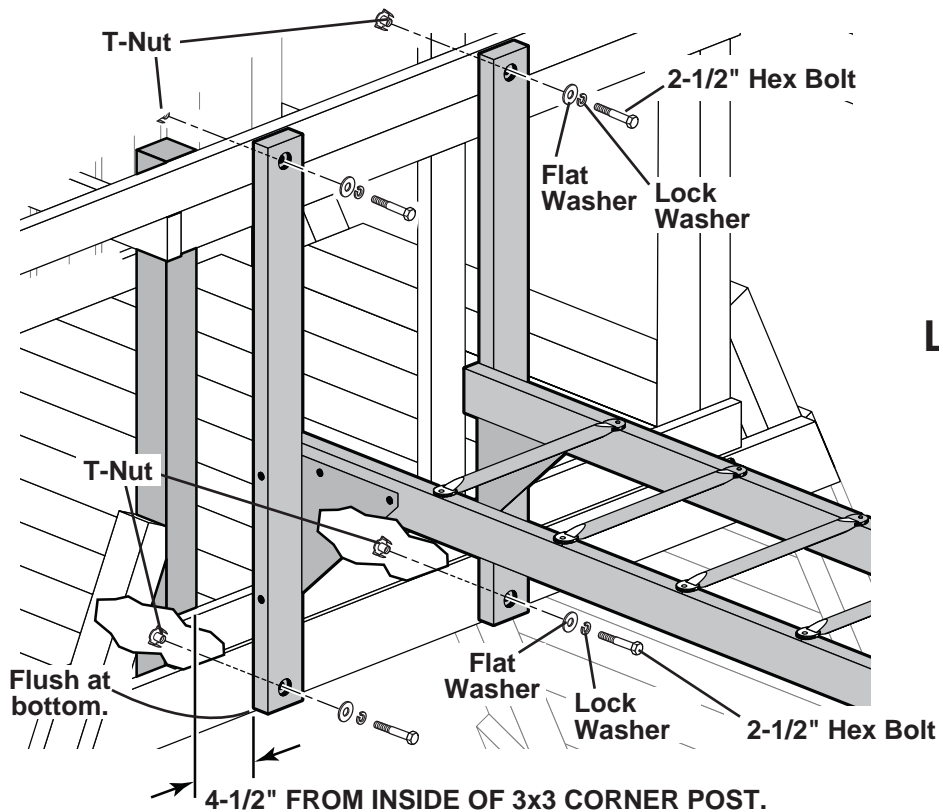
Drill-Through 3/16" marked locations.  
Re-Drill through using 7/16" bit from outside of frame at each support hole location.

SEE PAGE 8

- 1
- 2

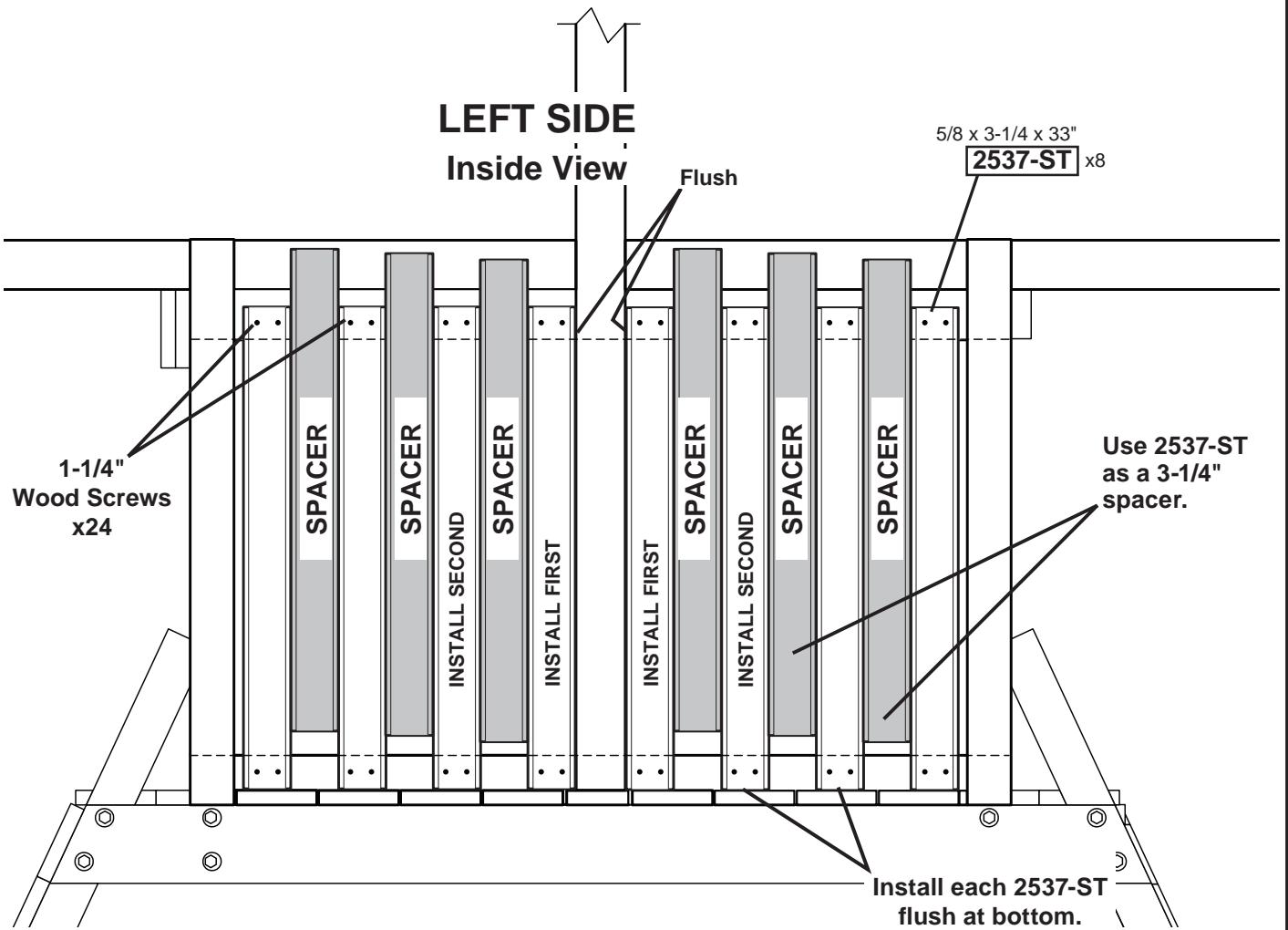
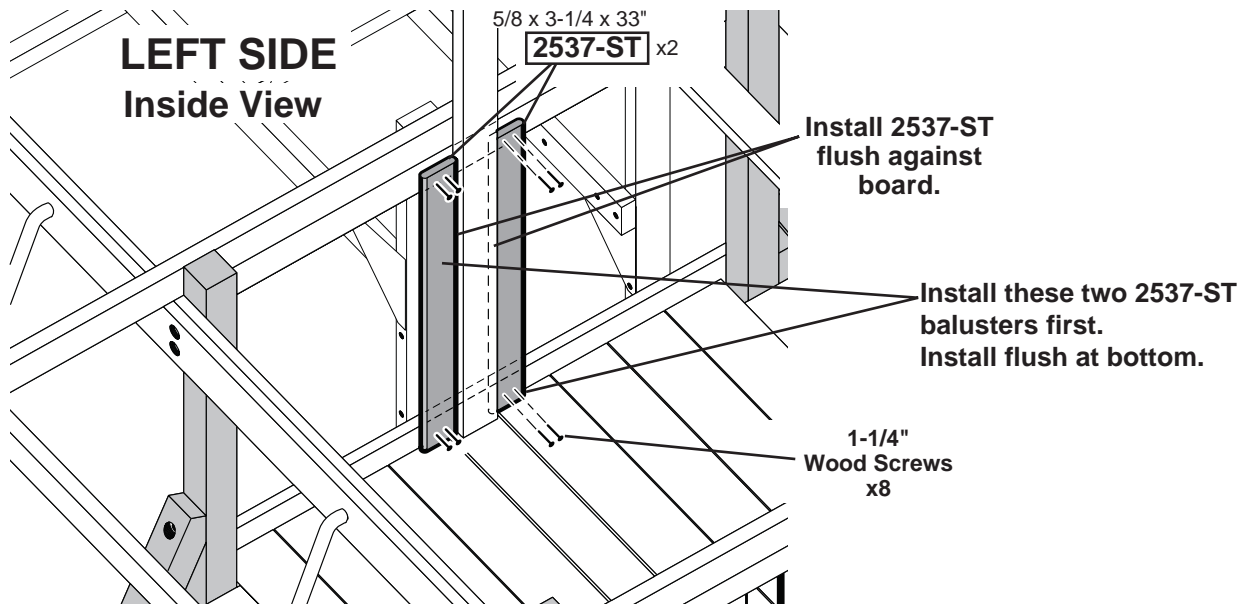
# MONKEY BAR

# INSTALL - STEP 3



# MONKEY BAR

# FORT BALUSTERS



# WARRANTY

Backyard Play Systems warrants the following:

1. All 5 Star Admiral wood components have a Limited Lifetime Warranty.  
All Commanders Quarters wood components have a 3 Year Warranty.  
All Captain's Loft wood components have a 5 Year Warranty.
  - Treated Wood - Backyard Play Systems will replace treated wood which becomes structurally unfit due solely to damage caused by fungal decay or termites.
  - All plastic (polymer) coated wood components have a Limited Lifetime Warranty.
  - Plastic (Polymer) Coated Woodguard TM –  
Backyard Play Systems will replace Woodguard TM components which become structurally unfit due solely to damage caused by fungal decay or termites. The plastic coating color can fade naturally over time. This warranty excludes color fading.
2. All non-wood components\* have a three year Limited Warranty.  
\*Ropes carry a one year Limited Warranty.
3. Installation labor has a three year Limited Warranty applicable on playsets installed by Backyard Play Systems. Labor warranty does NOT apply to Do-It-Yourself playset kits or kits installed by a third party.

Backyard Play Systems will repair, replace or pay for the affected part at our discretion. In no event shall Backyard Play Systems pay the cost of labor or installation or any other costs related thereto.

Non-residential use of the system is prohibited and will void this warranty as the system is designed for residential use only.

## Conditions

The warranty is effective only when:

1. The unit has been erected in accordance with the assembly instructions.
  - Plastic end caps and hole plugs have been properly installed on plastic coated wood.
2. The unit has been regularly and properly maintained and inspected.
3. The failure occurs when the unit is owned by the original purchaser.
4. This warranty is non-transferable
5. Backyard Play Systems has received a copy of your original proof of purchase with any claims in writing.
6. Backyard Play Systems has had reasonable opportunity during the sixty (60) days following the receipt of notification to inspect and verify the failure prior to commencement of any repair work.
7. "Significant color changes" to wood components is at the discretion of Backyard Products and require proof in the form of photographs or inspection by Backyard Play Systems.

Wooden components may have imperfections such as checks and knots. These are natural blemishes and imperfections which are inherent to wood. The imperfections not resulting in structural failure are not covered under this warranty.

## Requirements

To validate your warranty it is necessary to fill out and mail in the enclosed warranty card. And also to maintain and inspect your playset regularly. Regularly is defined as once per start and end of season.

## Claim Procedure

To make a claim under this warranty, you can either call 1-866-890-2211 or prepare a letter. Please have ready the information below when you call or include the information in writing:

1. The model and size of the product.
2. A list of the part(s) for which the claim is made.
3. Proof of purchase of the Backyard Play Systems item, as shown on the original invoice.
4. Run Code, as listed on the enclosed warranty card.

Mail the above information to:

Backyard Play Systems  
Attn: Customer Service  
1000 Ternes Dr.  
Monroe, MI 48162

# WARRANTY

Please feel free to call our Consumer Help Line Toll Free

**1-866-890-2211**

**April through October M - F 8:00 AM to 7:00 PM EST**

**Saturday 8:30 AM to 4:30 PM EST**

**November through March M - F 8:00 AM to 5:00 PM EST**

No warranty is offered on the following: (1) equipment subject to abuse, negligence, improper installation, vandalism, acts of God, unauthorized alteration or attachment to equipment other than our own: or (2) equipment subjected to improper use, service or repair by customer or any third party.

**To the maximum extent permitted by law, this warranty and the remedies set forth herein are exclusive and expressly in lieu of all other warranties, expressed or implied, including warranties of merchantability or fitness for a particular purpose. If Backyard Play Systems cannot disclaim or exclude implied warranties under applicable law, then to the extent possible any claims under any such implied warranties shall expire on expiration of the applicable warranty period. Some states do not allow limitations on how long an implied warranty lasts, so the above limitation may or may not apply to you. Backyard Play Systems does not assume, or authorize any person to assume for us, any other liability in connection with the sale of our products.**

**To the maximum extent of the law, Backyard Play Systems assumes no responsibility for incidental or consequential damages which may arise from the purchase or use of our playset or equipment. Some states do not allow the exclusion or limitation of incidental or consequential damages, so the above limitation or exclusion may not apply to you.**

If any provision of this limited warranty is invalid, void or unenforceable in any instance or respect, the unenforceable provision will be severed and reformed to effect the intent of this limited warranty to the maximum extent possible, and the remaining provisions shall continue in full force and effect and shall be enforced to the full extent permitted by law.

This warranty gives you specific legal rights, and you may also have other rights which vary from state to state.

- WARRANTY TERMS MAY VARY OUTSIDE THE U.S.A.**
- This manual is your warranty certificate. Please retain your original proof of purchase and this manual for any warranty claims.