

16625PLAY

- NOTICE -

This playset product is not intended for public use. It is intended for residential application and is not warranted for public or commercial use.



Call Us First!

DO NOT RETURN TO STORE.

**For immediate help with assembly or product information
call our toll-free number:**

1-800-577-9663

April through October M - F 8:00 AM to 6:00 PM EST

Saturday 8:30 AM to 4:30 PM EST

November through March M - F 8:00 AM to 5:00 PM EST

or email:

customerservice@backyard-play.com

Our staff is ready to provide assistance.

(This page intentionally left blank.)

Playset

Recommended for ages 3 to 11

- BEFORE YOU BEGIN -

First...

- Check with your homeowner's association before assembling.
- Read instructions thoroughly before you begin. If you have purchased accessories to accompany this play set, please read all installation instructions before beginning assembly of this structure.

Check All Parts

- If a part is missing, circle the part in question and call 1-800-577-9663.

Adult Assistance required

Assistance is necessary to handle, fit, and secure some components.

Squareness is very Important!

Start with a level surface and keep 90° corners and 90° perpendiculars throughout the assembly to ensure all components fit together.

Safety!

- Check for protruding screws and bolts, verify all screw and bolt lengths during assembly.

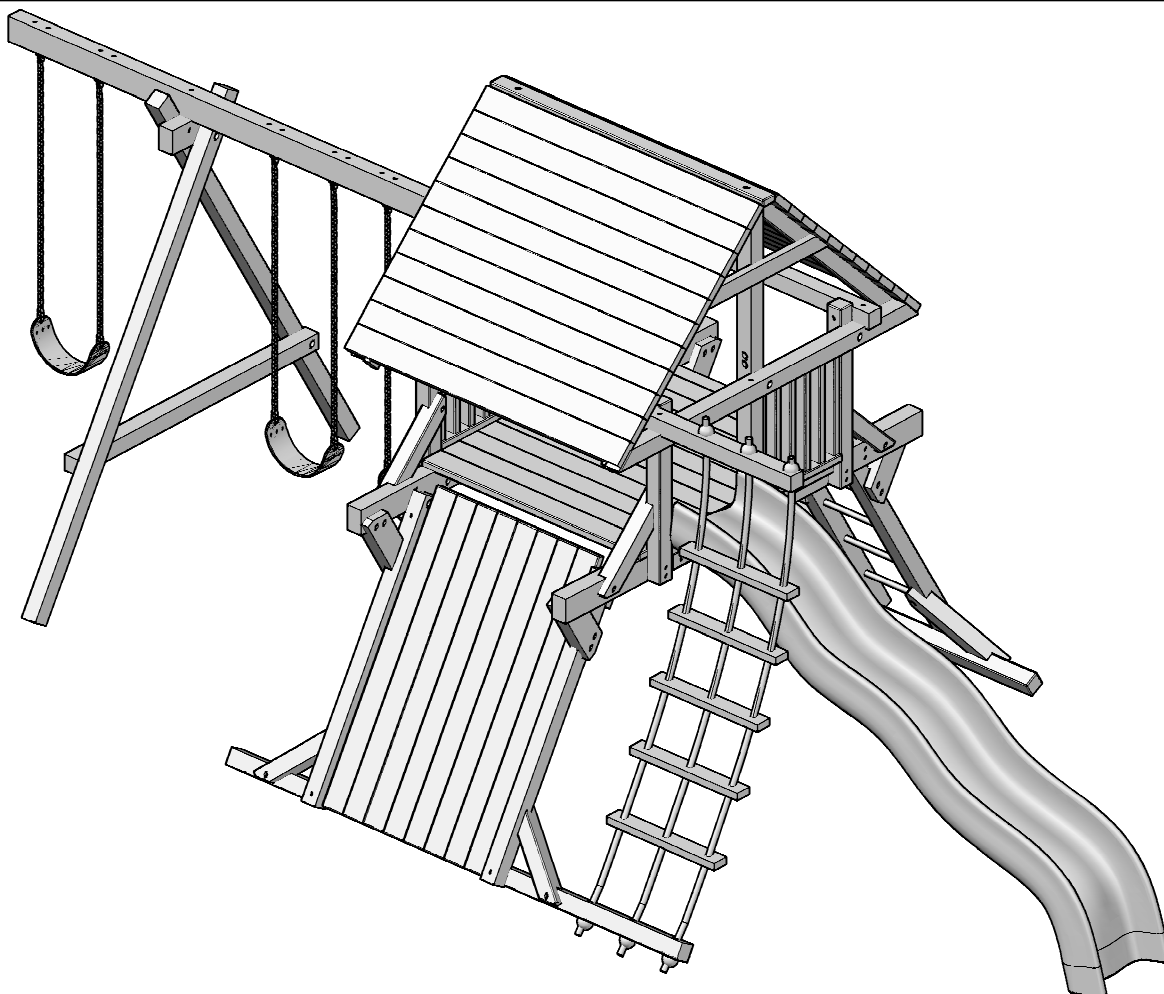
Always wear OSHA-APPROVED safety glasses throughout assembly process.

Tools Required

- Level
- Hammer
- Star Drive Bit (included)
- Framing Square
- Tape Measure
- Drill or Screw Gun
- Impact Driver
- Ladder
- Socket Set



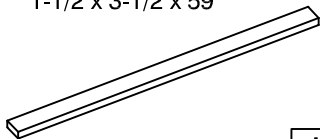
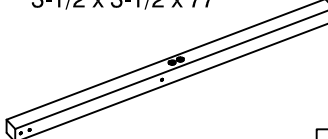
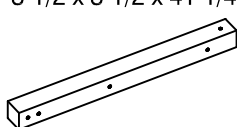
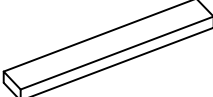
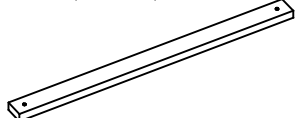

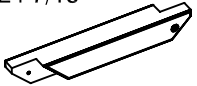
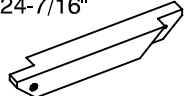
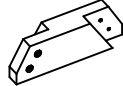
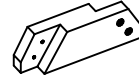
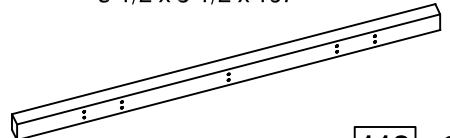
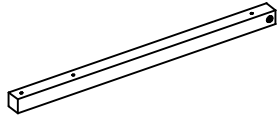
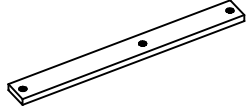
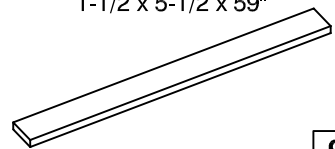
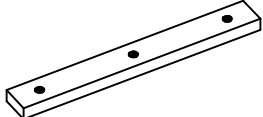
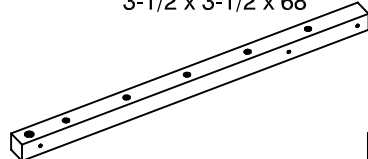
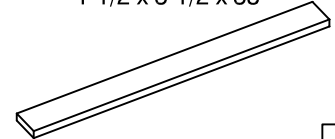
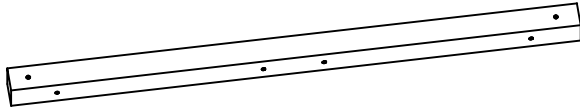
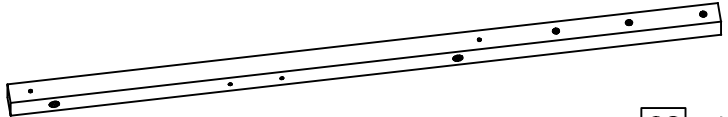
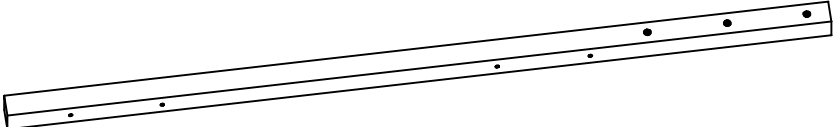
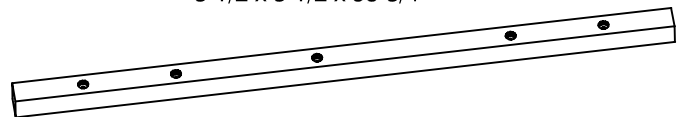
5/16" DIAMETER X 6" MINIMUM LENGTH DRILL BIT (Not Included) REQUIRED TO COMPLETE YOUR SWING BEAM INSTALLATION.



Note: Use this manual to assemble your base playset. Refer to manuals packed into other boxes for playset accessories. Your model may differ from the one shown.

BASE PARTS LIST

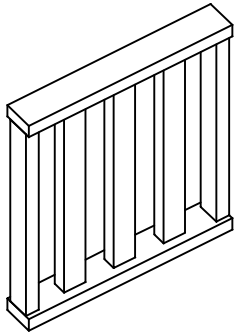
NOTE: Each wood part is stamped with part identification number.

<p>1-1/2 x 3-1/2 x 59"</p>  <p>10 x2</p>	<p>3-1/2 x 3-1/2 x 77"</p>  <p>28 x2</p>	<p>3-1/2 x 3-1/2 x 41-1/4"</p>  <p>211 x4</p>		
<p>1-1/2 x 3-1/2 x 23-5/8"</p>  <p>12 x2</p>	<p>1-1/2 x 3-1/2 x 52"</p>  <p>147 x1</p>	<p>1-1/2 x 5-1/2 x 69"</p>  <p>2A x8</p>		
<p>3-1/2 x 3-1/2 x 24-7/16"</p>  <p>5 x4</p>	<p>3-1/2 x 3-1/2 x 24-7/16"</p>  <p>4 x4</p>	<p>3-1/2 x 5-1/2 x 17"</p>  <p>142 x2</p>	<p>3-1/2 x 5-1/2 x 17"</p>  <p>144 x2</p>	<p>3-1/2 x 5-1/2 x 107"</p>  <p>118 x2</p>
<p>3-1/2 x 3-1/2 x 68"</p>  <p>174 x2</p>	<p>1-1/2 x 5-1/2 x 52"</p>  <p>190 -or- 218 x1</p>	<p>1-1/2 x 5-1/2 x 59"</p>  <p>9 x11</p>		
<p>1-1/2 x 3-1/2 x 29"</p>  <p>99 x5</p>	<p>3-1/2 x 3-1/2 x 68"</p>  <p>155 x1</p>	<p>1-1/2 x 5-1/2 x 58"</p>  <p>3 x1</p>		
<p>3-1/2 x 3-1/2 x 75"</p>  <p>25 x1</p>	<p>3-1/2 x 3-1/2 x 110"</p>  <p>38 x1</p>			
<p>3-1/2 x 3-1/2 x 119-3/4"</p>  <p>199 x1</p>				
<p>3-1/2 x 3-1/2 x 95-3/4"</p>  <p>200 -or- 216 x1</p>				

(Intentionally Left Blank)

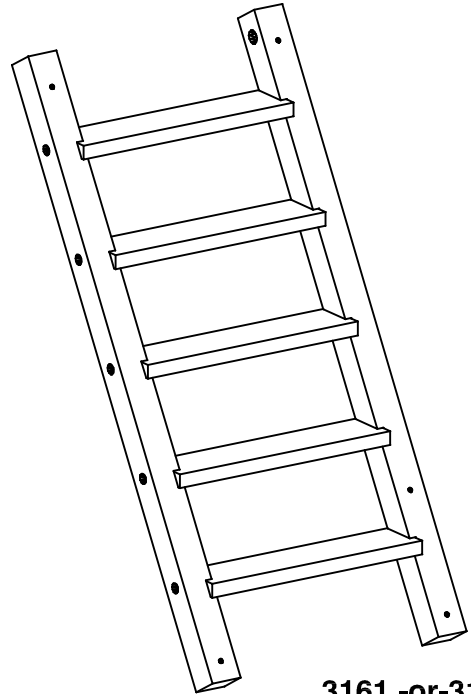
BASE PARTS LIST

Handrail Assembly



3135 x2

Ladder Assembly



3161 -or- 3163 x1

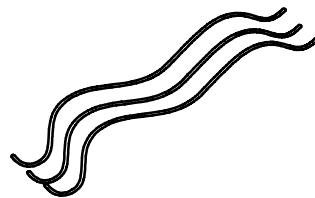
ACCESSORY LIST

Ladder Rung



2618 -or- 2620 x5

Rope



SA 3099 x3



FOR YOUR PLAYSET ACCESSORIES (SWINGS, HANDLES)
SEE THE LISTING IN YOUR ACCESSORY BOX

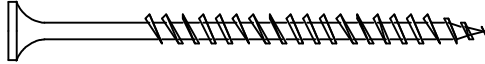


FASTENERS (Shown Actual Size)

 **x96**
3" Wood Screw




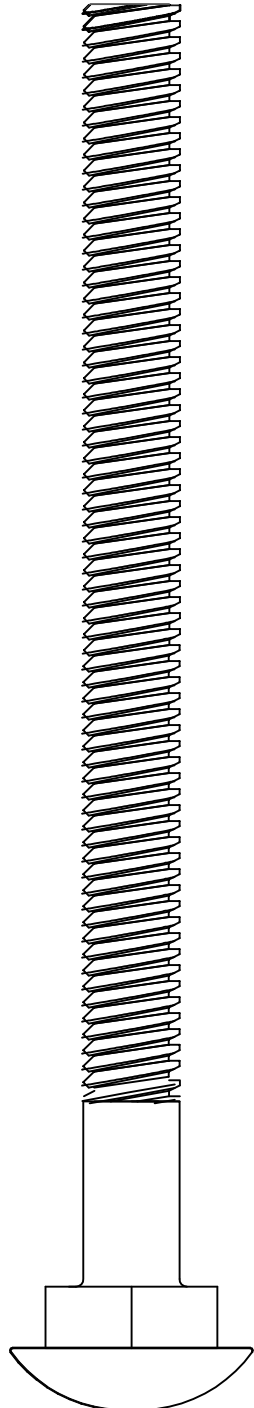
 **x42**
2 1/2" Wood Screw

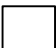


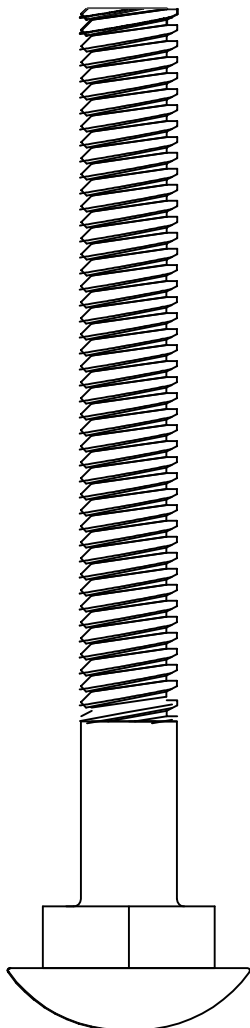
Drive Bit




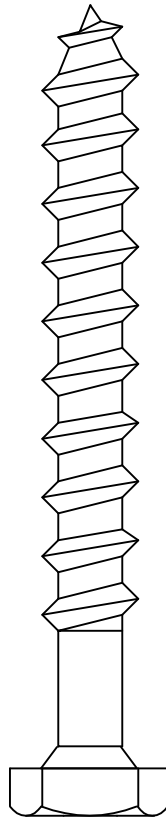
 **x1**




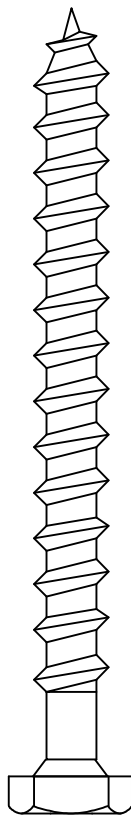
1/2 x 7" Carriage Bolt
 **x25**

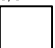


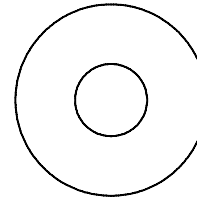
1/2 x 5" Carriage Bolt
 **x17**



1/2 x 4" Lag Bolt
 **x4**

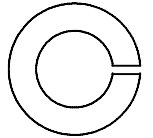


3/8 x 4" Lag Bolt
 **x16**



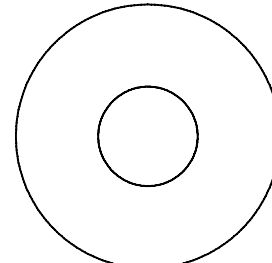
3/8" Flat Washer

 **x16**



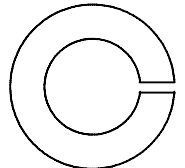
3/8" Lock Washer

 **x16**



1/2" Flat Washer

 **x49**



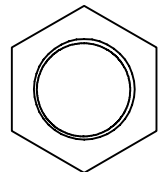
1/2" Lock Washer

 **x49**



1/4" Lock Washer

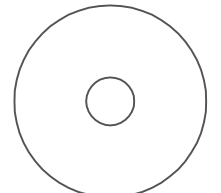
 **x21**




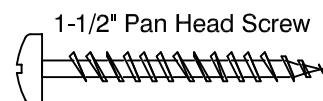
1/2" Hex Nut

 **x44**

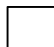
1/4 x 1" Slide Washer



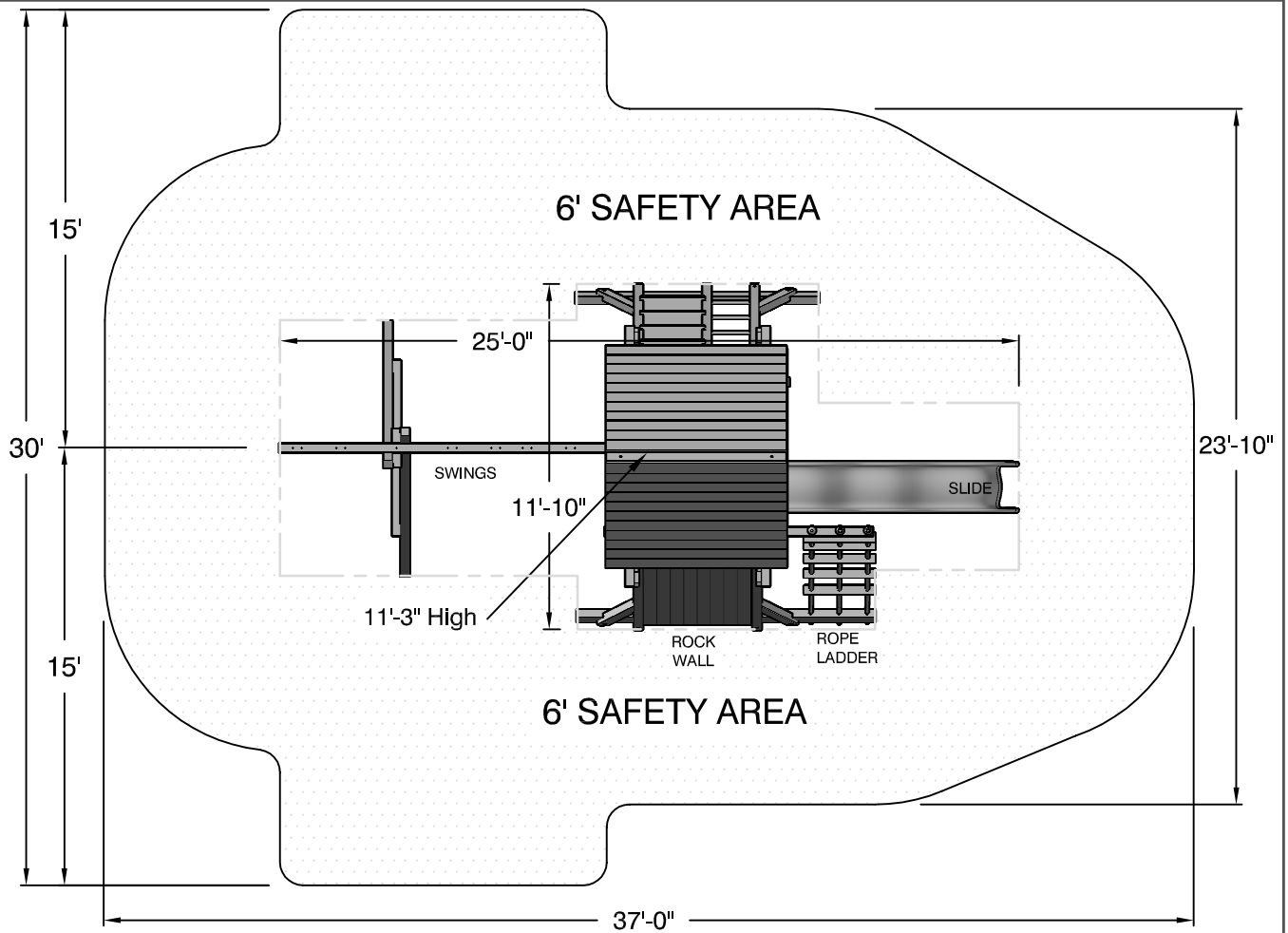
 **x3**



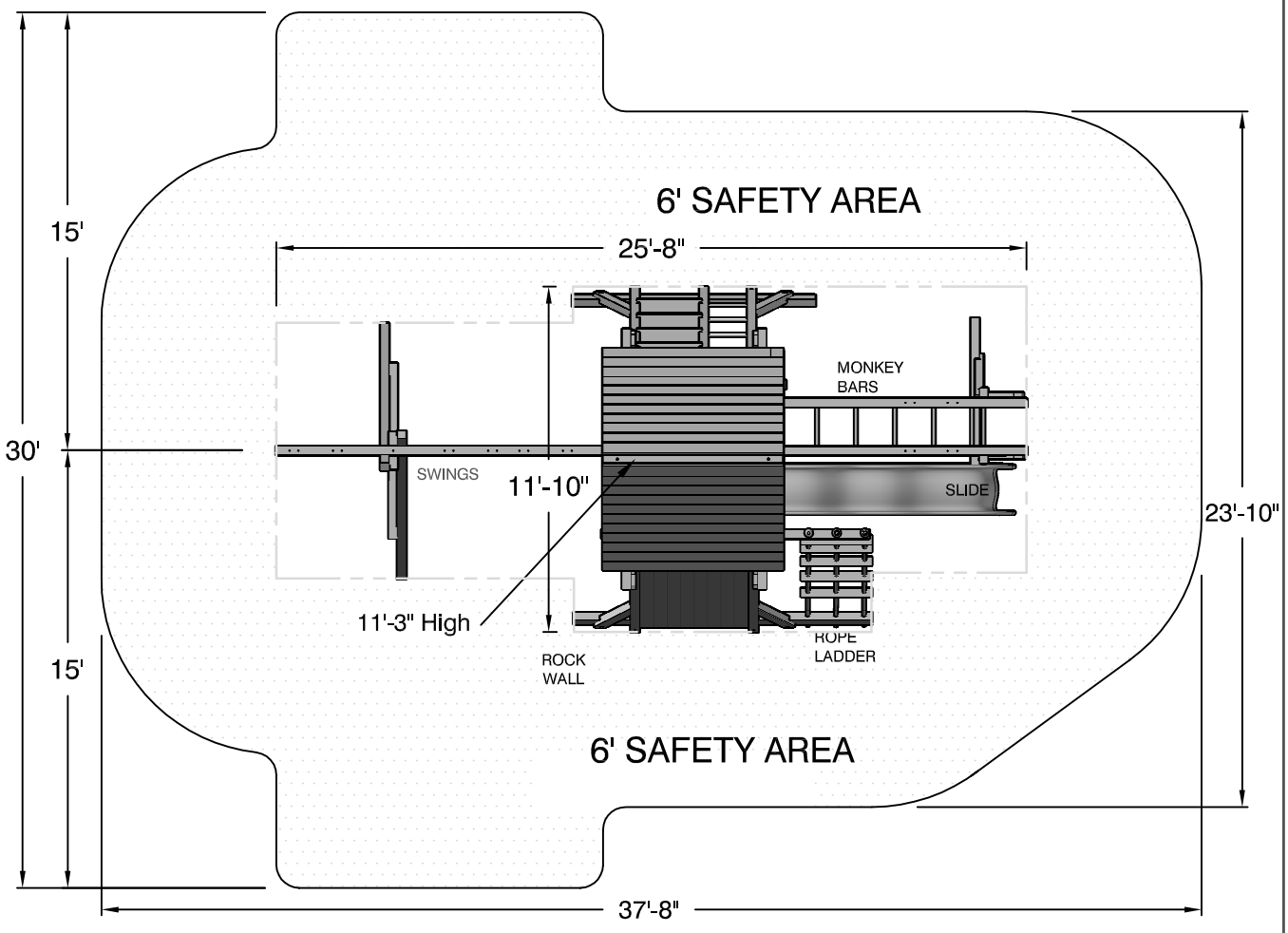
1-1/2" Pan Head Screw

 **x21**

BASE SAFETY ZONE



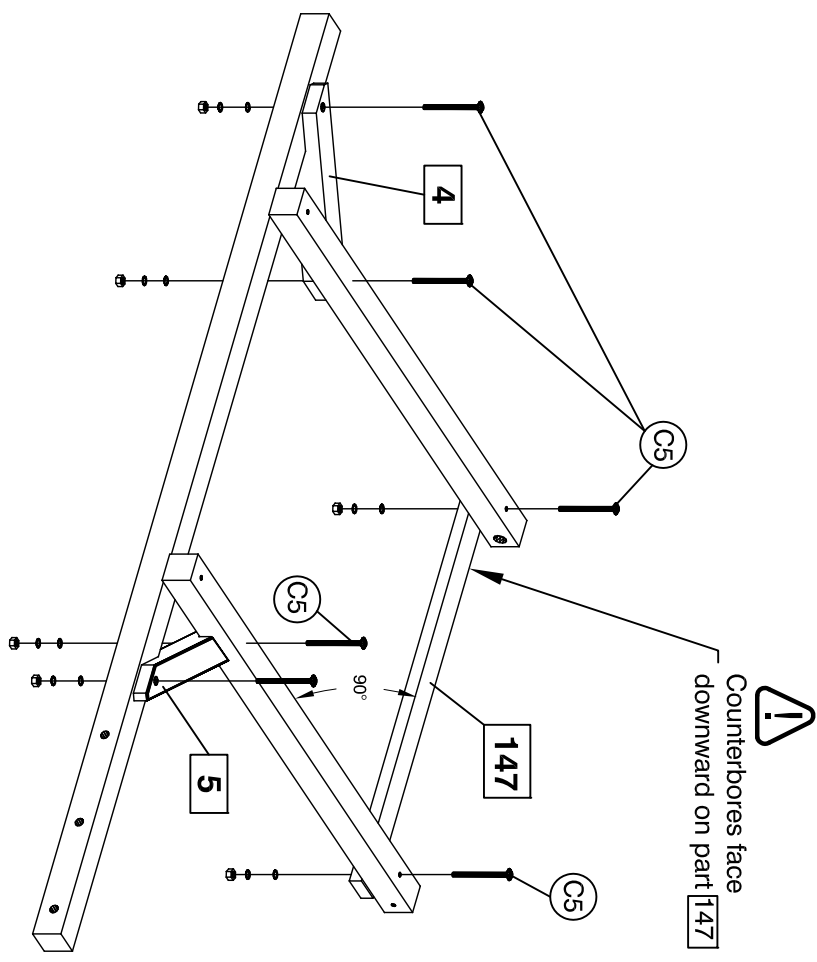
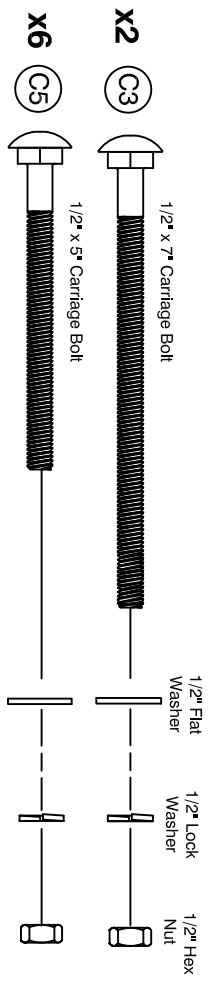
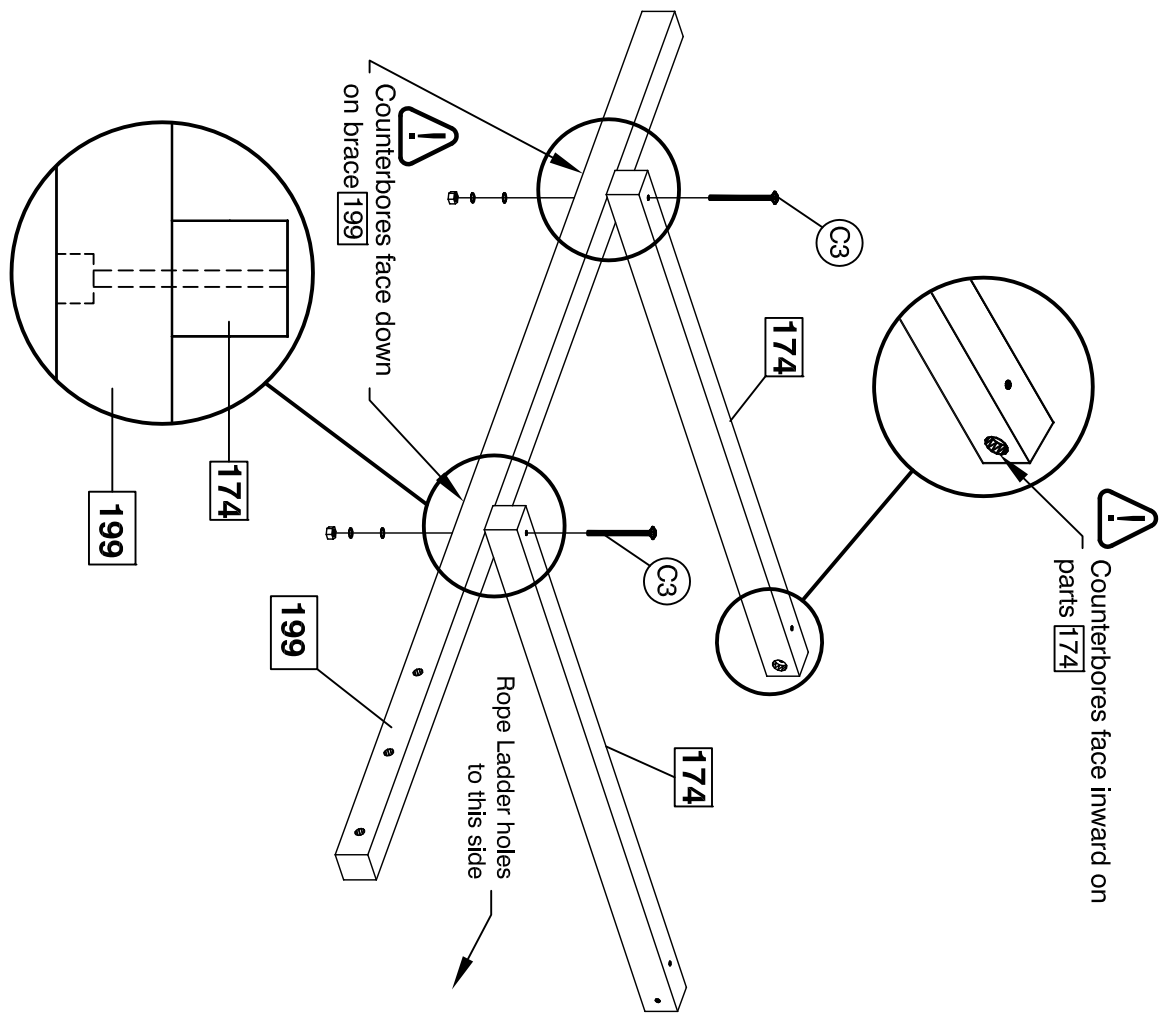
SAFETY ZONE w/ MONKEY BARS



ROCKWALL ASSEMBLY



PARTS REQUIRED:

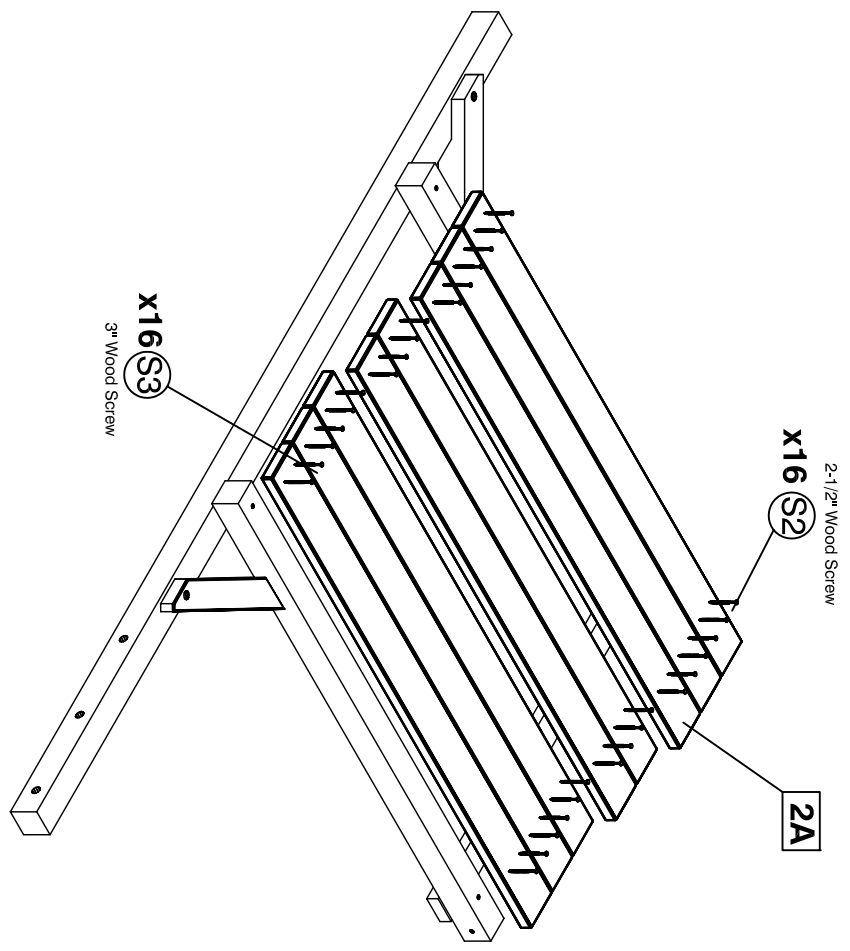
- (2) 174 Rockwall Frame
- (1) 199 Rockwall Bottom Brace
- (1) 147 Rockwall Top Brace
- (1) 4 Right Hand Brace
- (1) 5 Left hand Brace



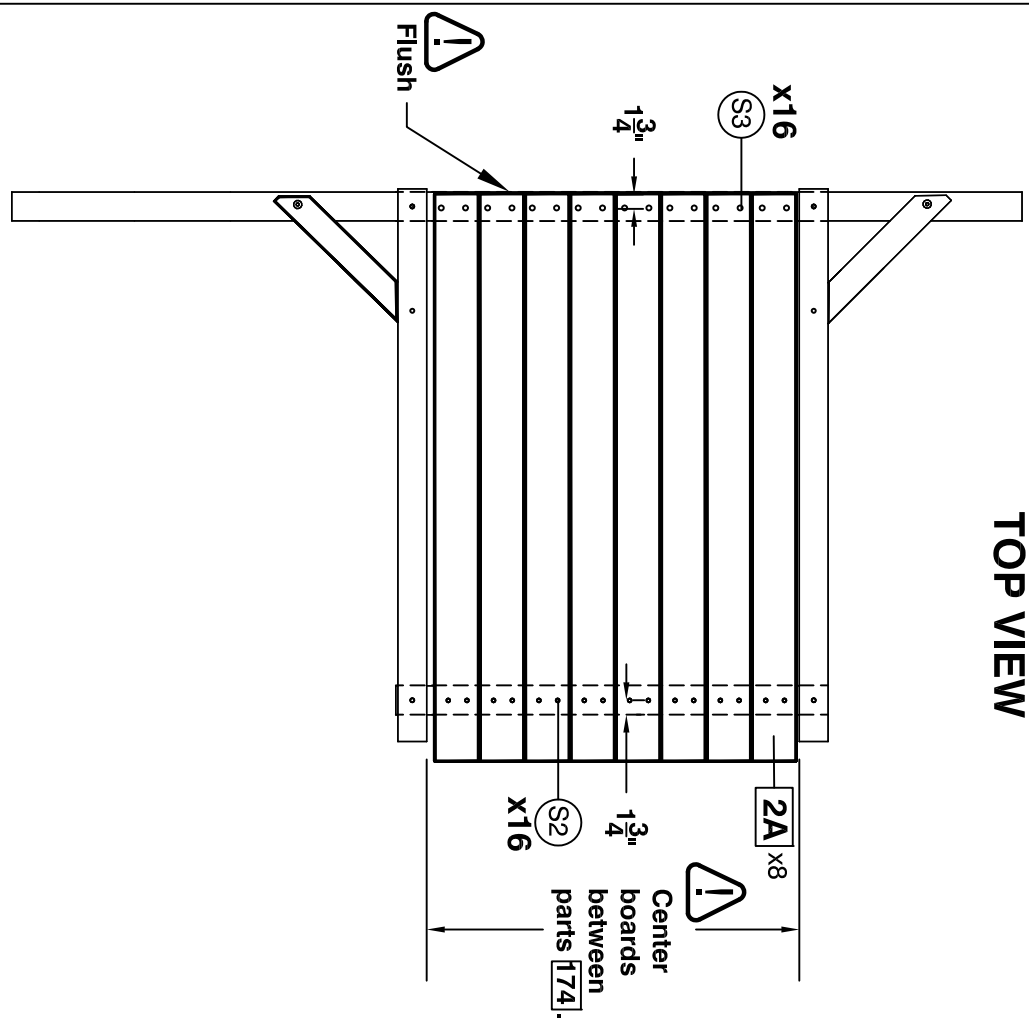
ROCKWALL ASSEMBLY

PARTS REQUIRED:
 (8) **2A** Rock Wall Board

- x16** **S3**  3" Wood Screw
- x16** **S2**  2-1/2" Wood Screw



TOP VIEW



LADDER ASSEMBLY

PARTS REQUIRED:

- (1) 155 Ladder Upright
- (1) 3161 -or- 3163 Ladder

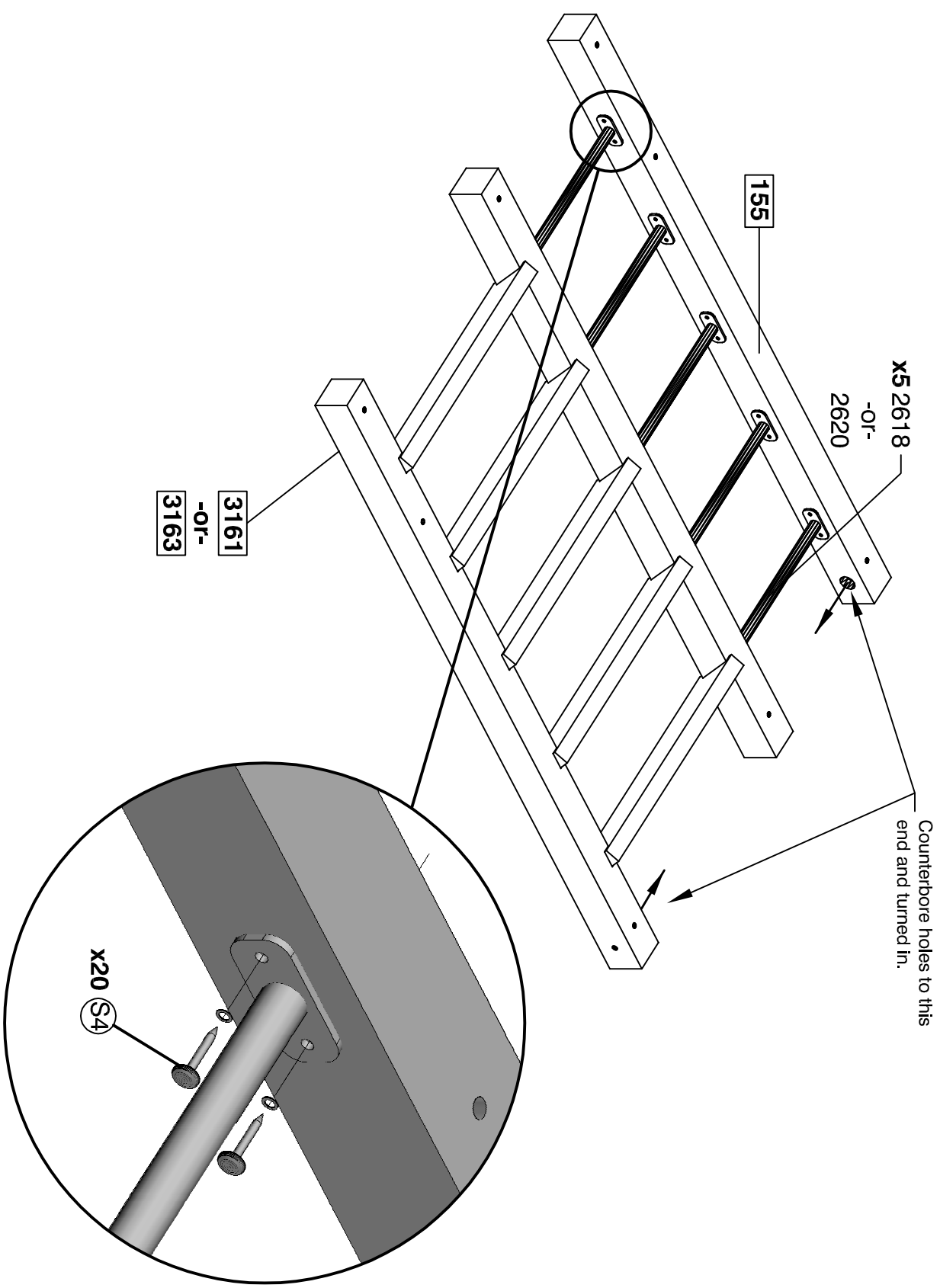
x20 S4



1-1/2" Pan Head Screw

1/2" Lock Washer

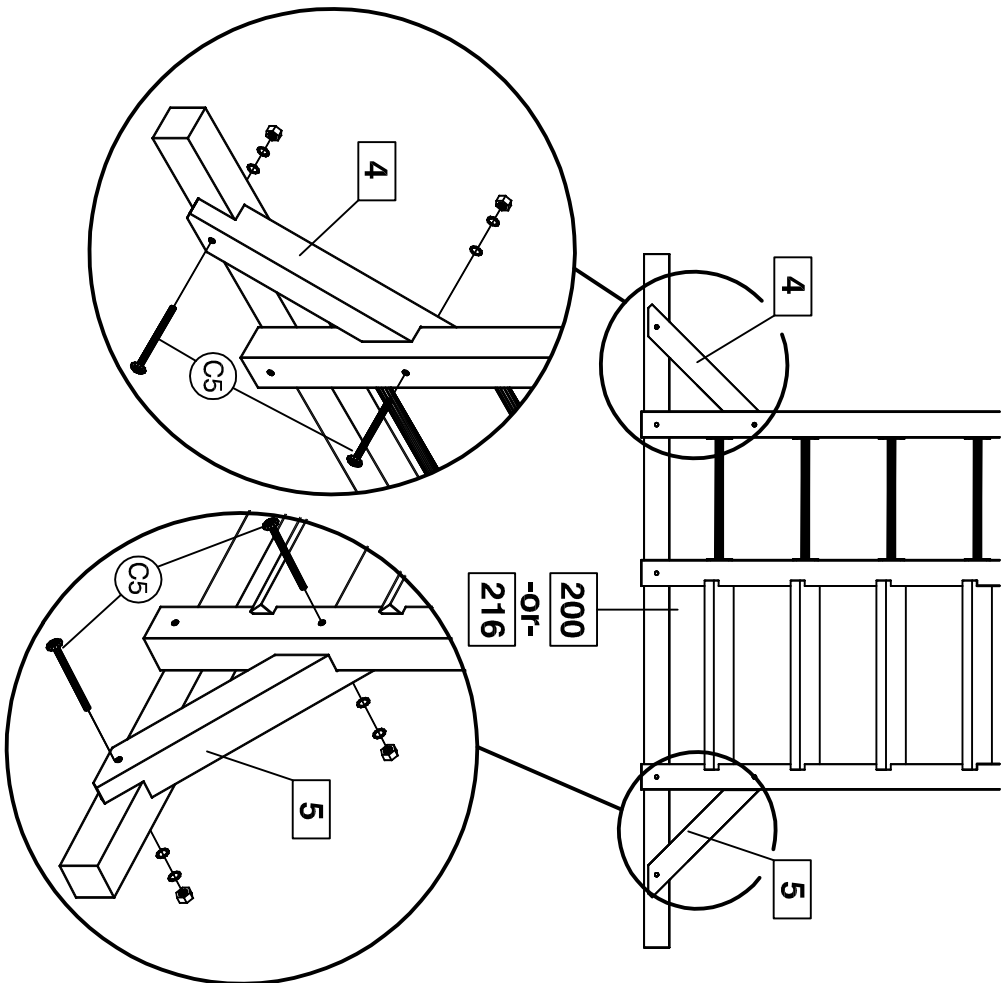
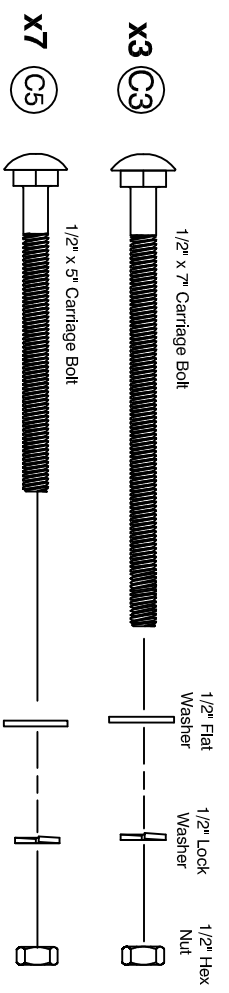
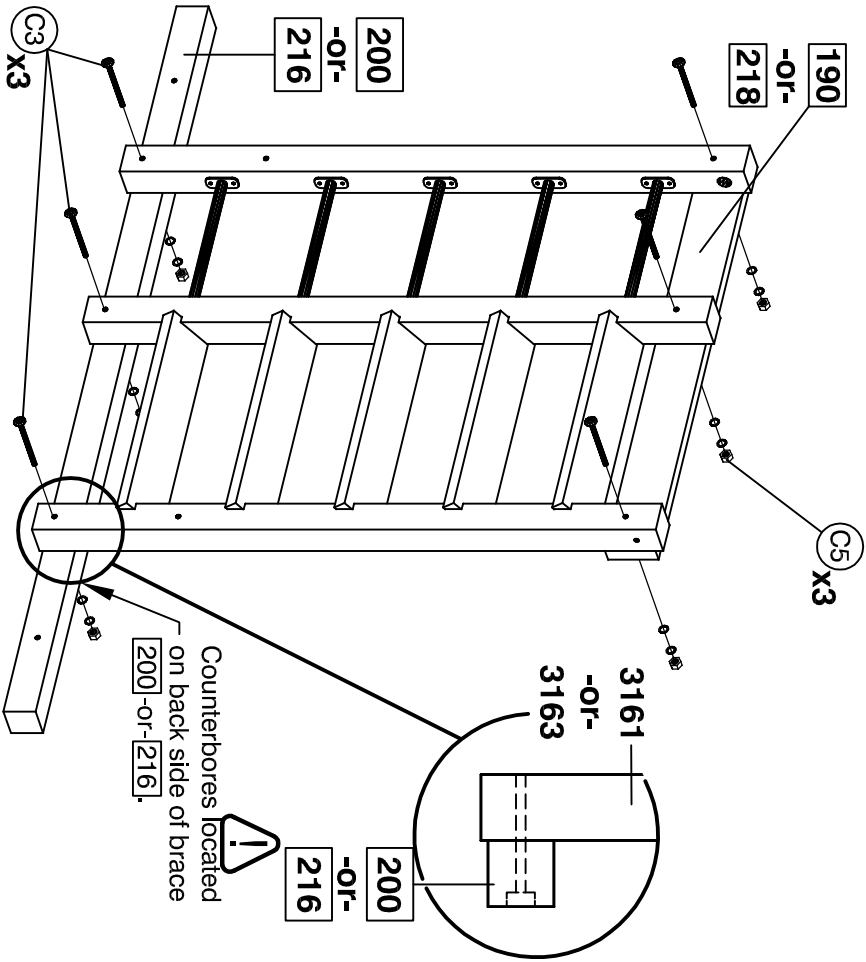
2618 -or- 2620 x5
Ladder Rung



LADDER ASSEMBLY

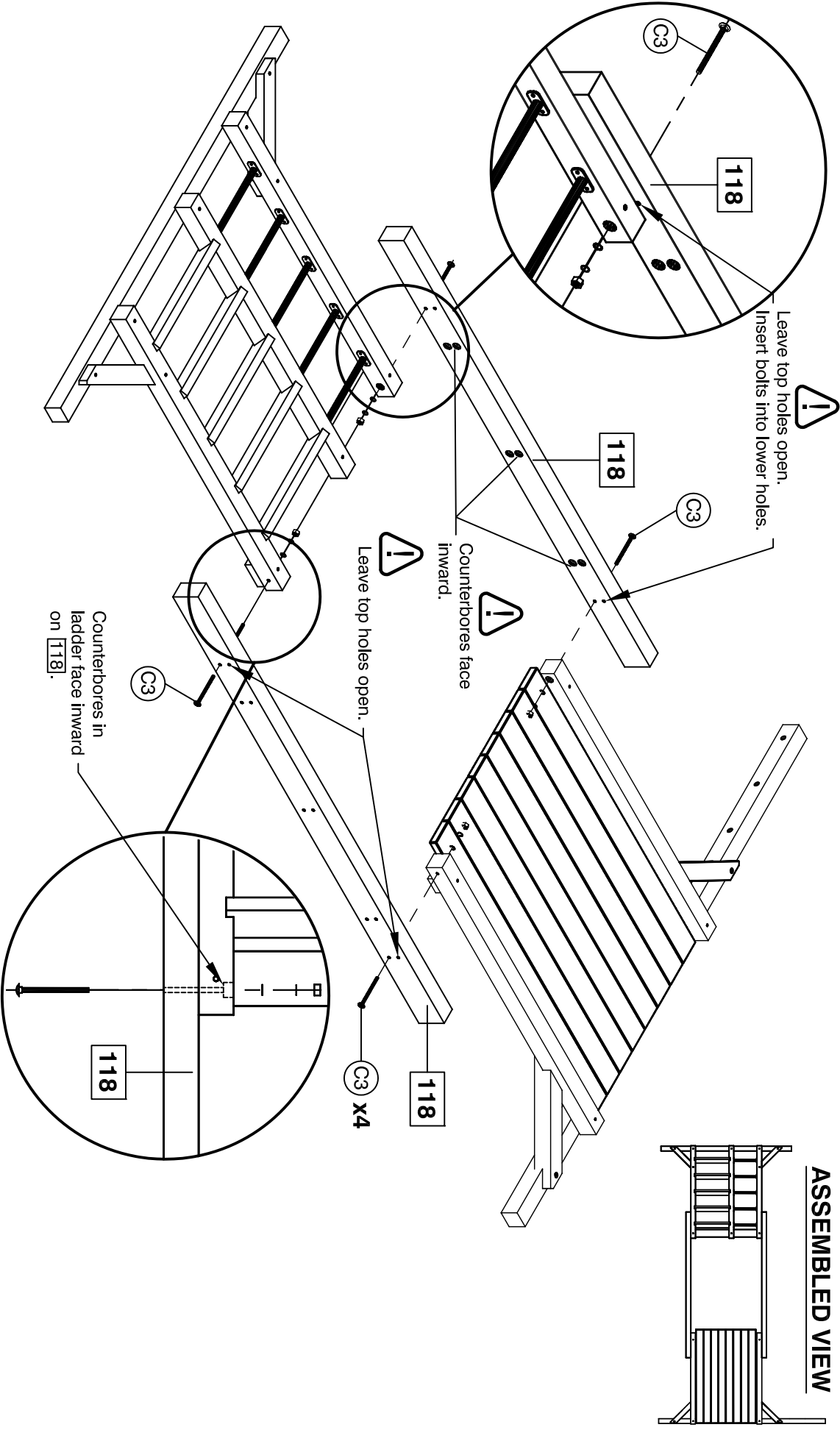
PARTS REQUIRED:

- (1) 200 -or- 216 Ladder Ladder Brace
- (1) 4 Right Hand Brace
- (1) 5 Left Hand Brace
- (1) 190 -or- 218 Ladder Brace



DECK SUPPORT ASSEMBLY

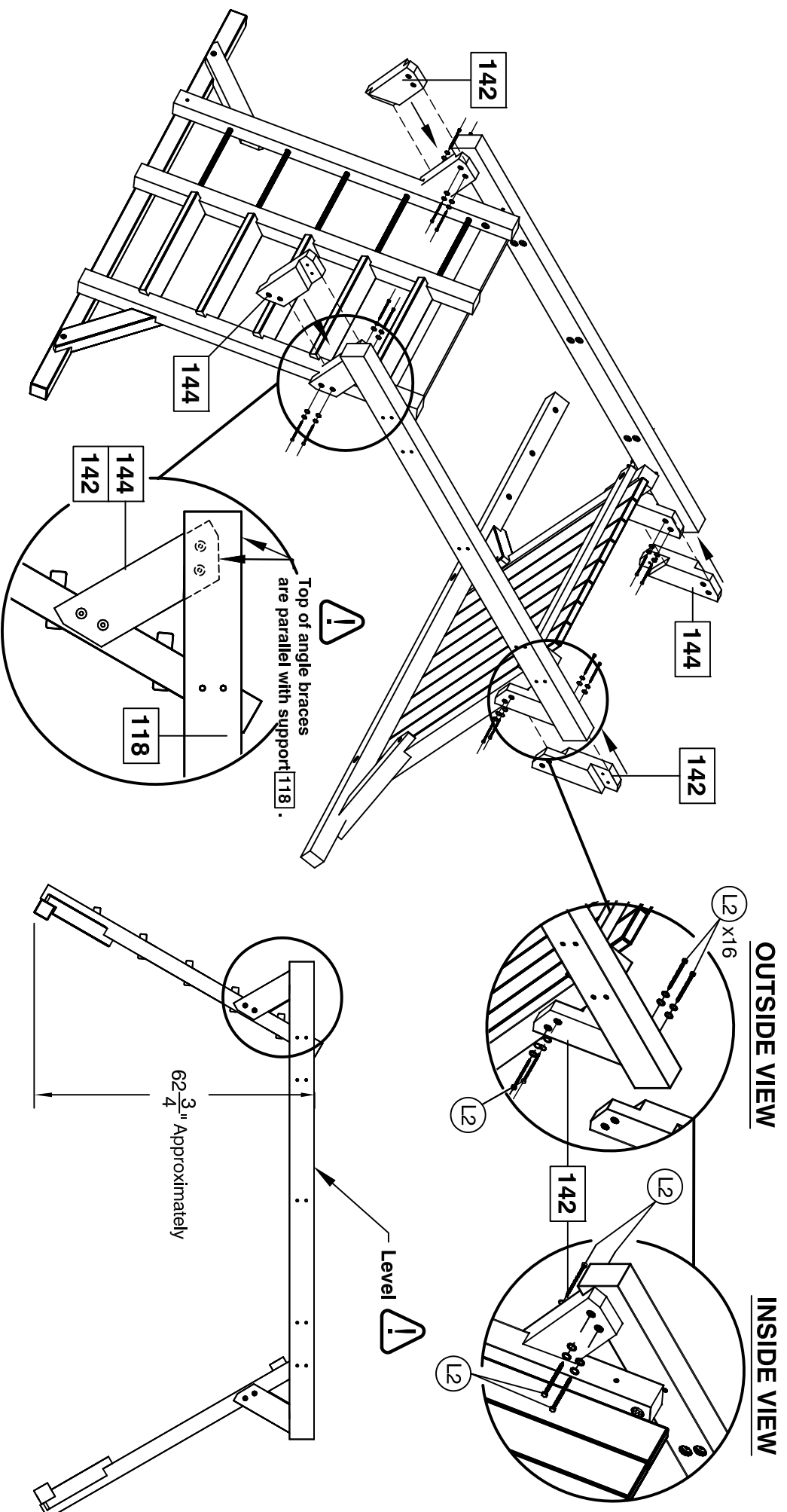
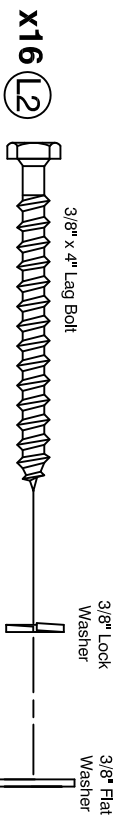
PARTS REQUIRED:
 (2) 118 Deck Support



DECK SUPPORT ASSEMBLY

PARTS REQUIRED:

- (2) 144 Angle Support
- (2) 142 Angle Support



OUTSIDE VIEW

INSIDE VIEW

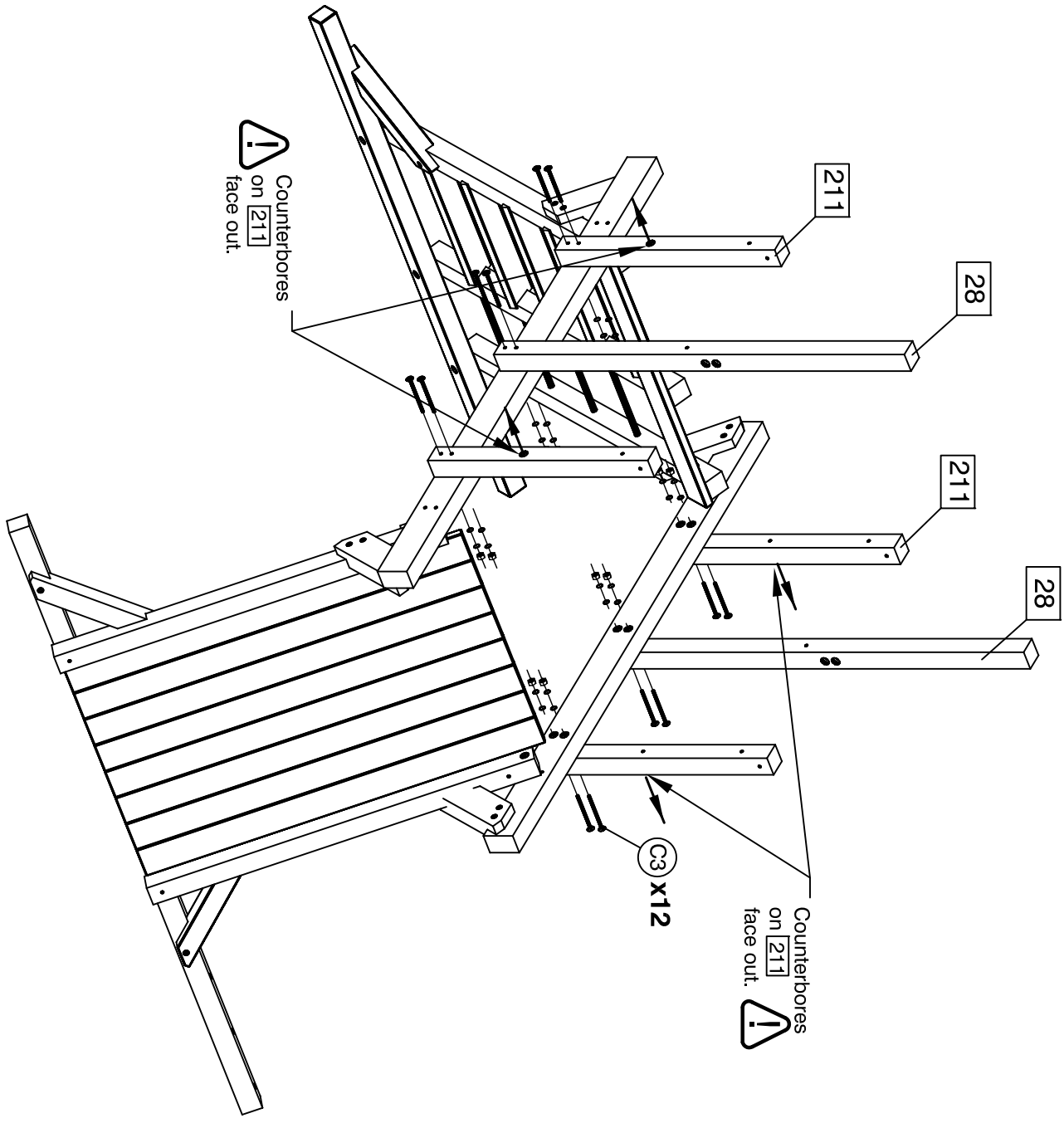
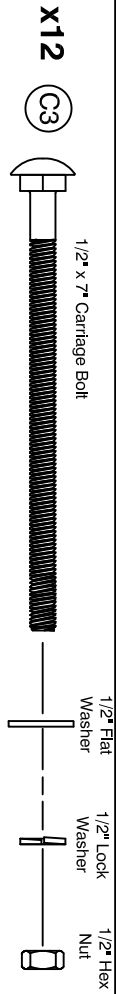
Level

62 3/4" Approximately

Top of angle braces are parallel with support 118.

UPRIGHT INSTALL

- PARTS REQUIRED:**
 (2) **28** Canopy Upright
 (4) **211** Handrail Post



DECK ASSEMBLY

PARTS REQUIRED:

- (2) 10 End Deck Board
- (11) 9 Deck Board
- (1) 3 Deck Cleat

X52

S3



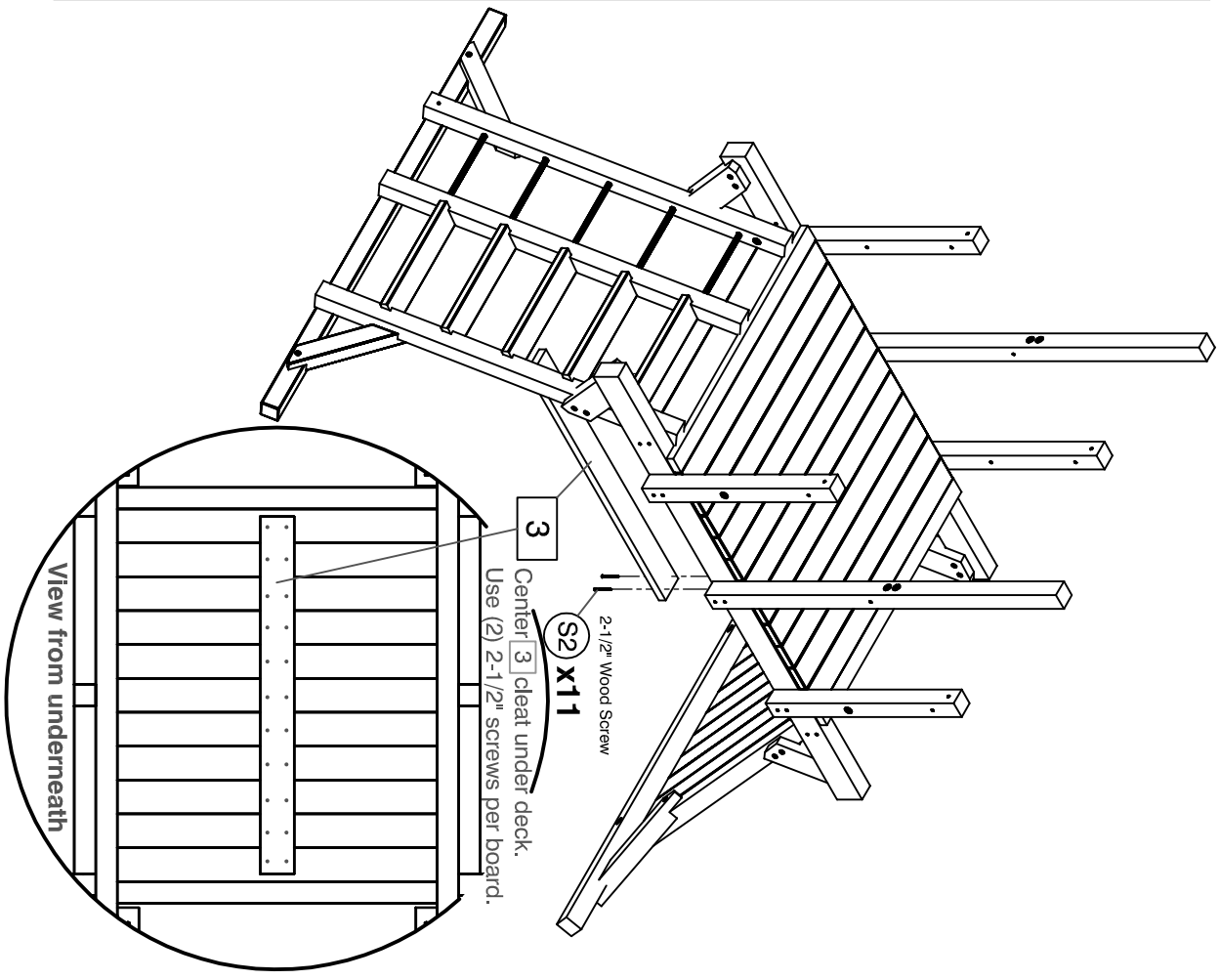
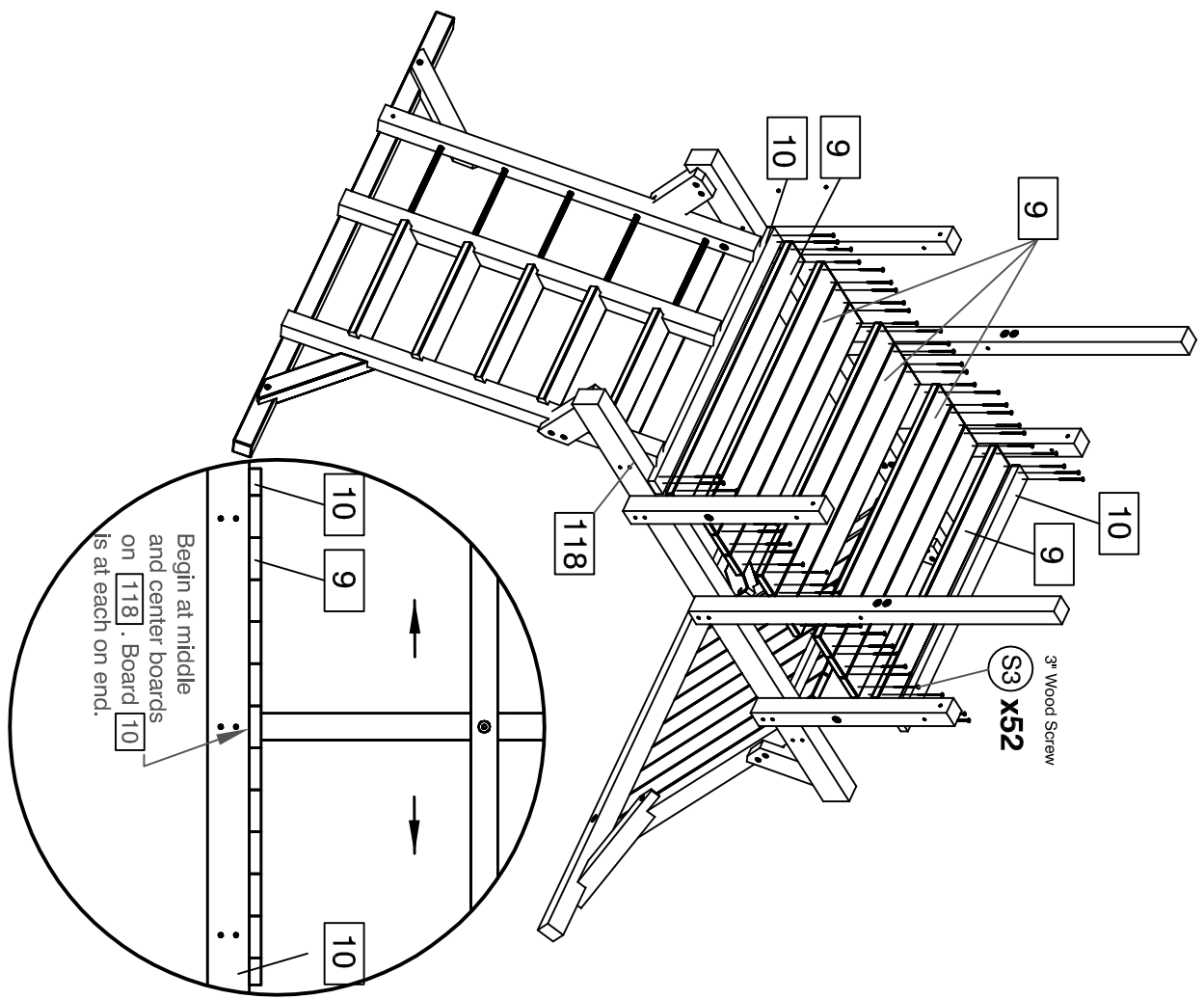
3" Wood Screw

X22

S2



2-1/2" Wood Screw

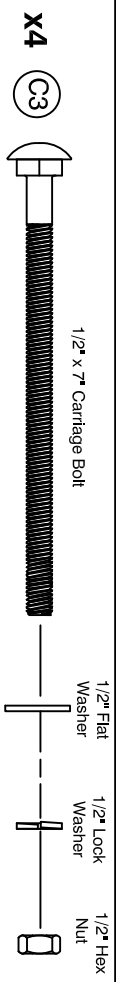


View from underneath

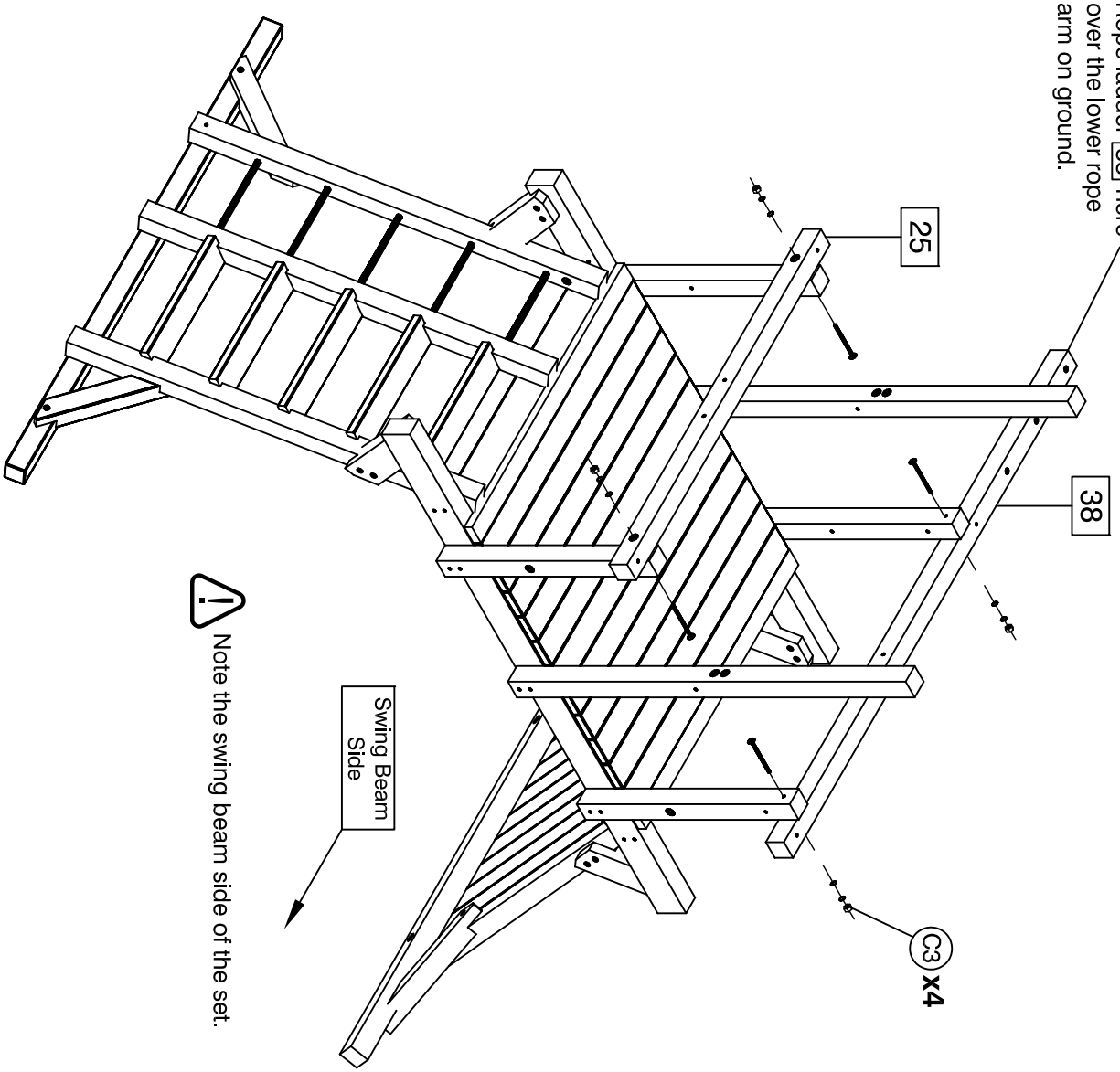
END BRACE & ROPE LADDER ARM INSTALL

PARTS REQUIRED:

- (1) 25 Tower End Brace
- (1) 38 Rope Ladder Brace



Rope ladder 38 here over the lower rope arm on ground.



Note the swing beam side of the set.

BRACE / ROOF SUPPORT INSTALL

PARTS REQUIRED:

- (2) **5** Left Brace
- (2) **4** Right Brace
- (2) **26** Vinyl Canopy Support (In Separate Box)
- OR -
- (2) **26A** Wood Roof Support (In Separate Box)

X4 WS 4410



X4 L1



1/2" Lock Washer

1/2" Flat Washer

X8 C5



1/2" Flat Washer

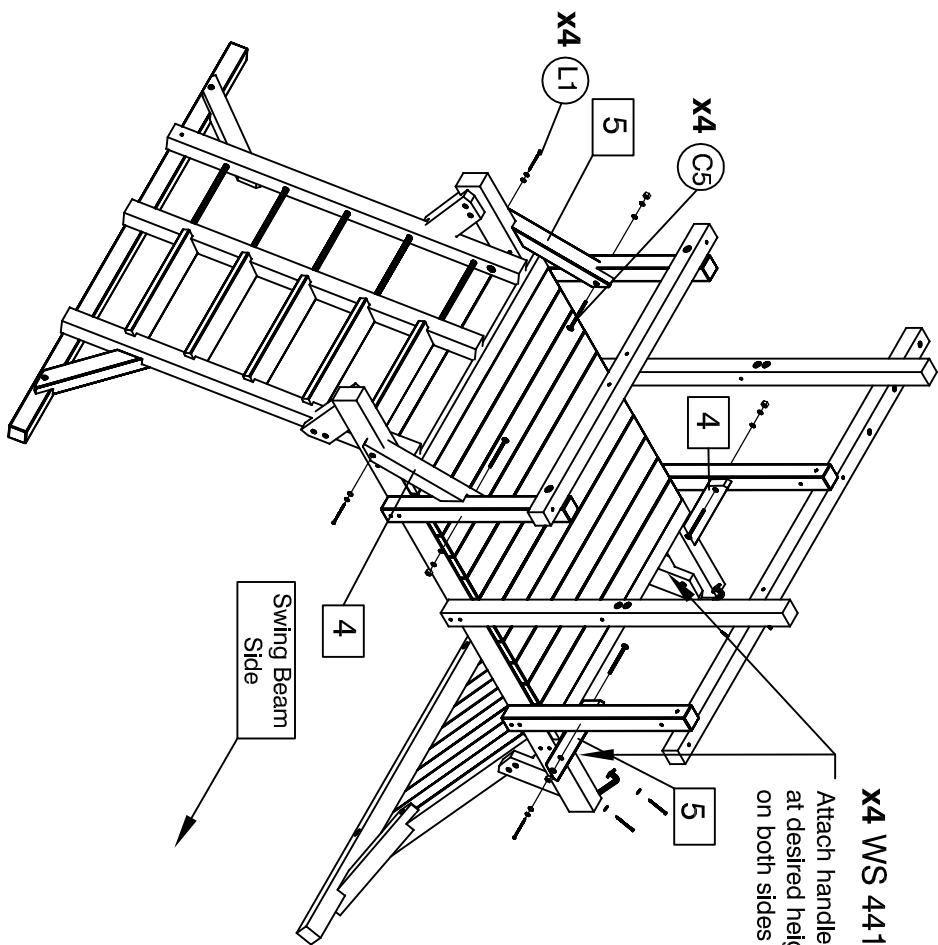
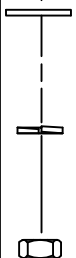
1/2" Lock Washer


1/2" Hex Nut

X4 S2

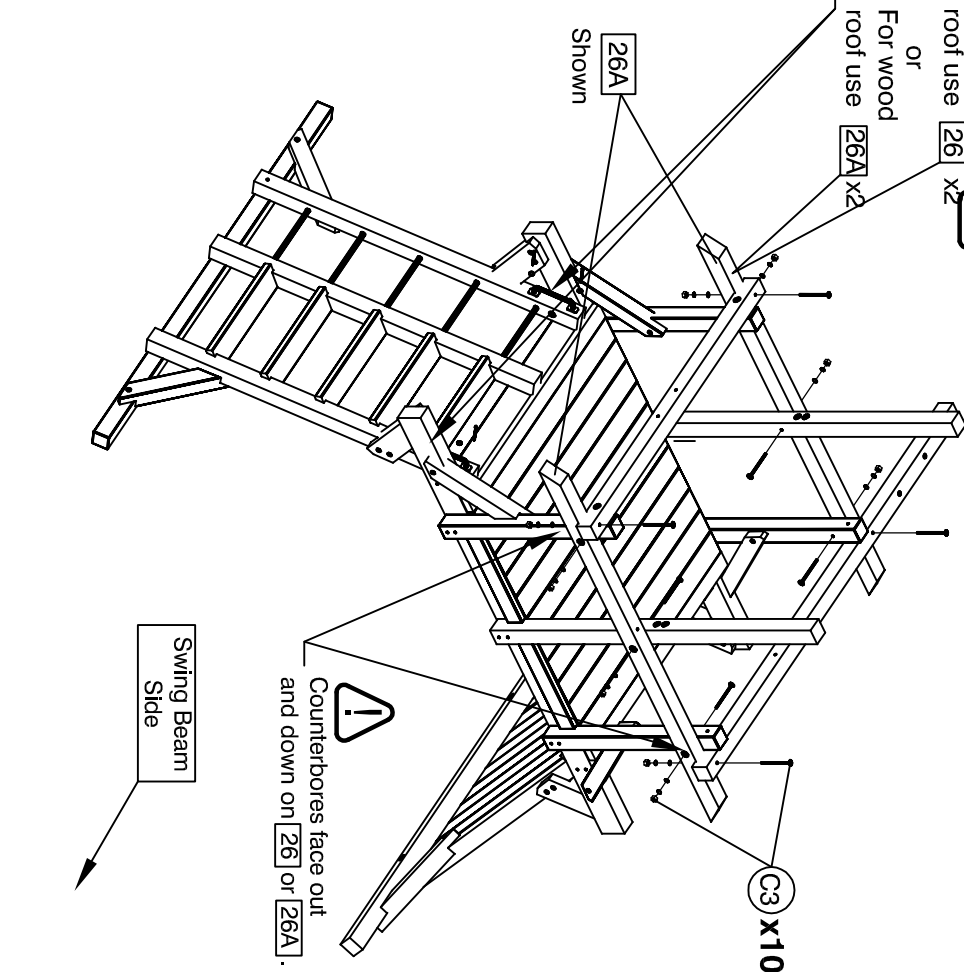


X10 C3



For vinyl roof use **26** x2  **26** and **26A** and carriage bolts are in roof add on box.

For wood roof use **26A** x2

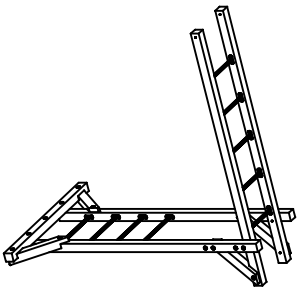


Accessory Install Options

Determine locations and install your accessories **BEFORE** installing hand rails.

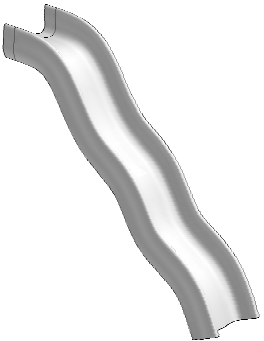


Note accessory option locations below. Refer to the instructions packed into the add-on and accessory cartons for proper installation .



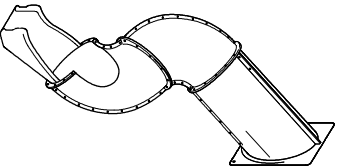
Monkey Bar Location (A or B)

Refer to Pg. 24 for Slide Install

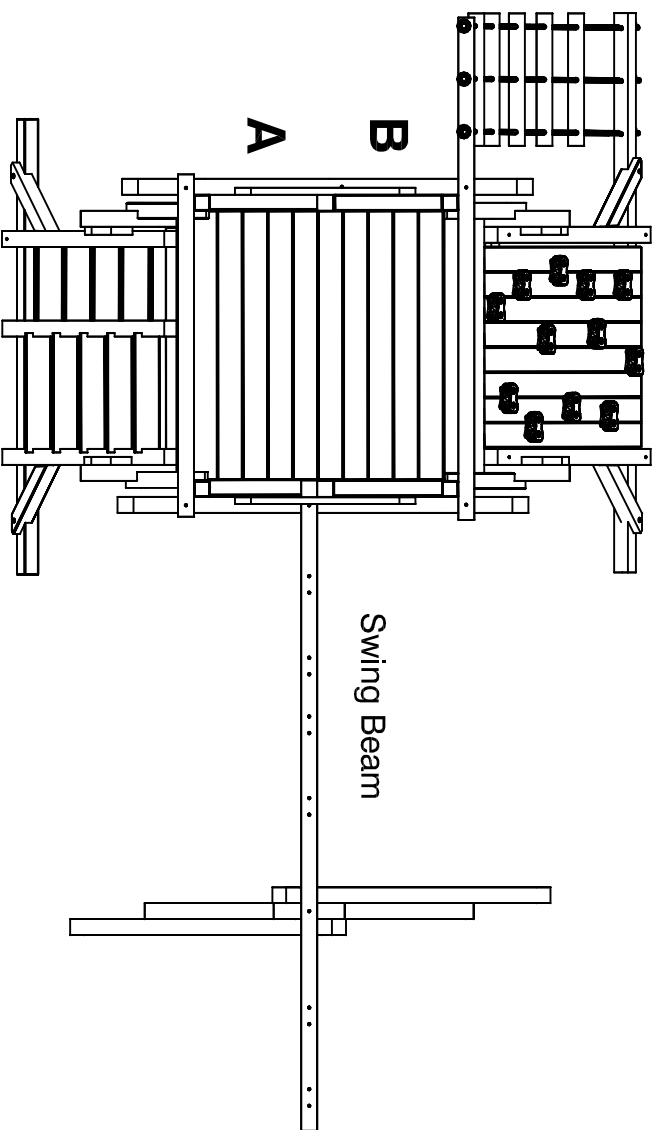


Slide Location (A or B - If Monkey Bars are Installed slide can only go in B)

Refer to Instructions in **Wood Kit #3497** for mounting and assembly



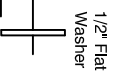
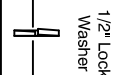
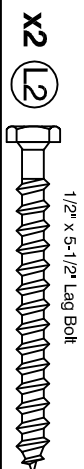
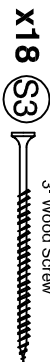
Tube Slide Location (A or B) If any other accessory will be installed, Tube Slide can only go in A)



RAIL INSTALL

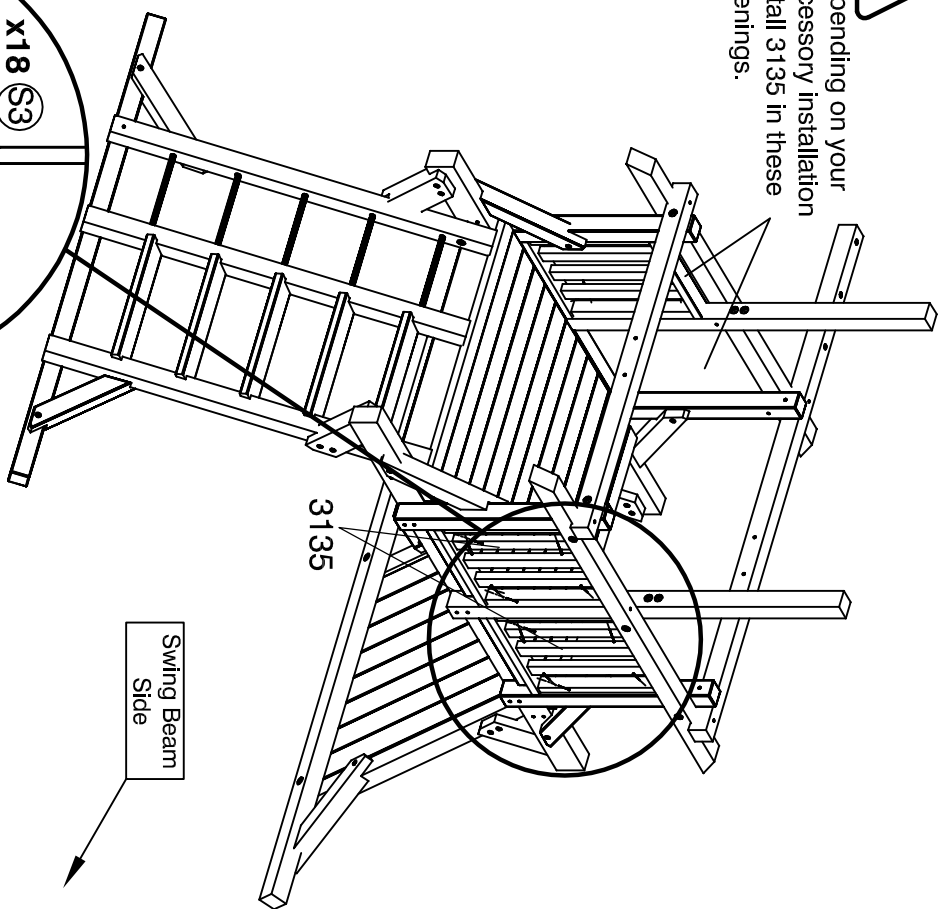
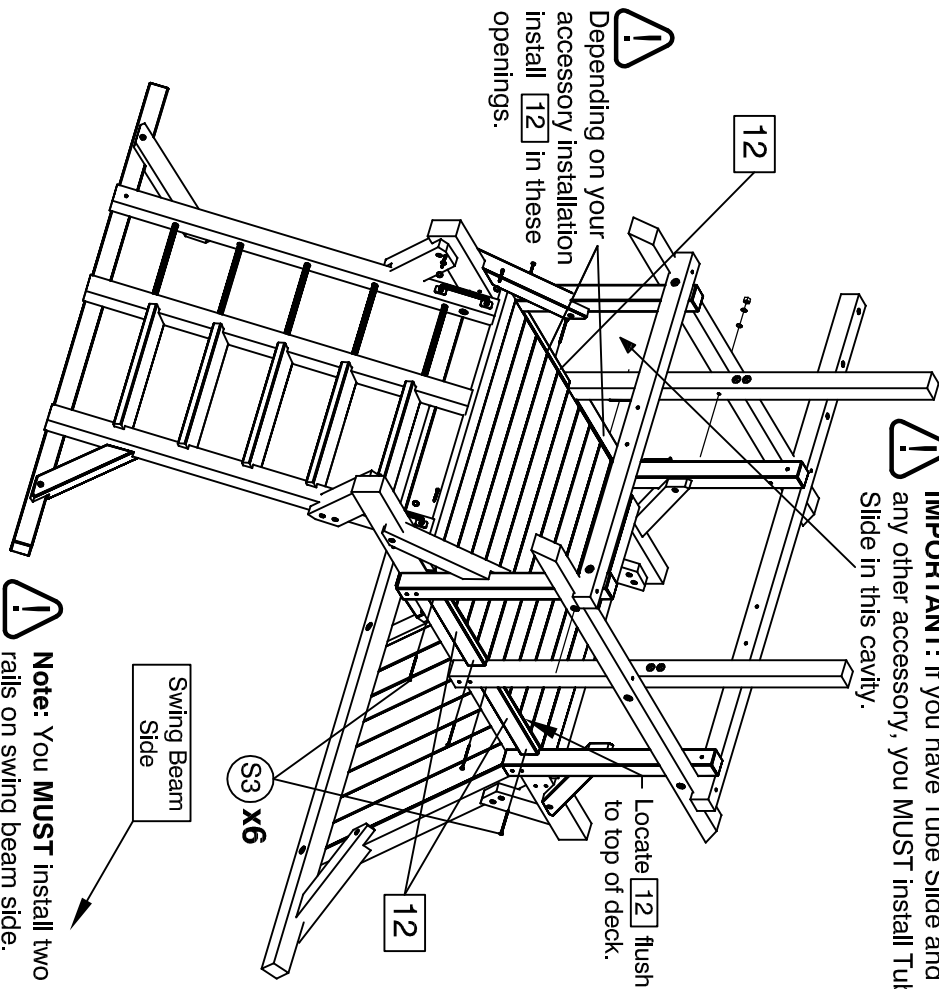
PARTS REQUIRED:

- (2) 3135 Handrail Assembly
- (2) [T2] Deck Facer Board



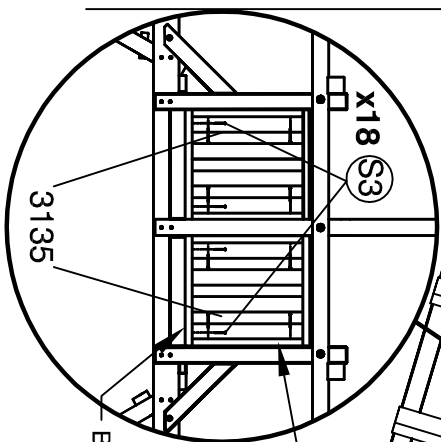
IMPORTANT: If you have Tube Slide and any other accessory, you **MUST** install Tube Slide in this cavity.

WARNING: Depending on your accessory installation install 3135 in these openings.



WARNING: Note: If you have Tube Slide, refer to Tube Slide Instruction manual for mounting frame.

WARNING: Note: You **MUST** install two rails on swing beam side.

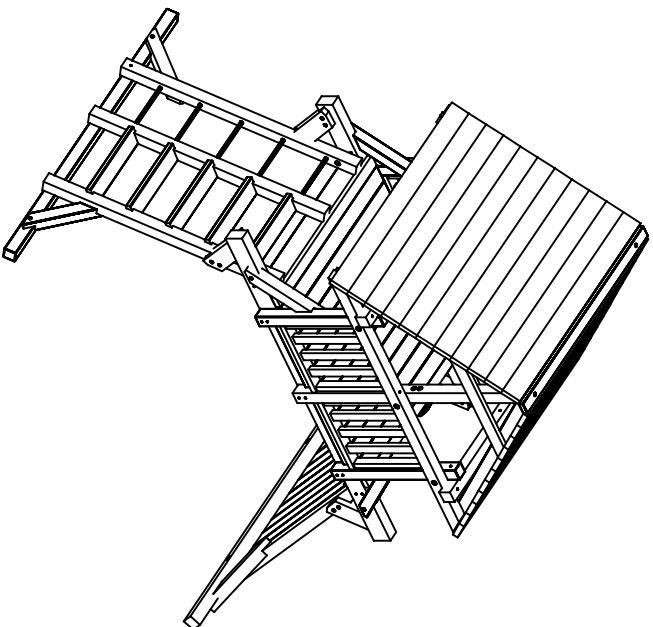


Each handrail is attached with (3) S3 wood screws on each side of handrail assembly and (2) at the bottom.

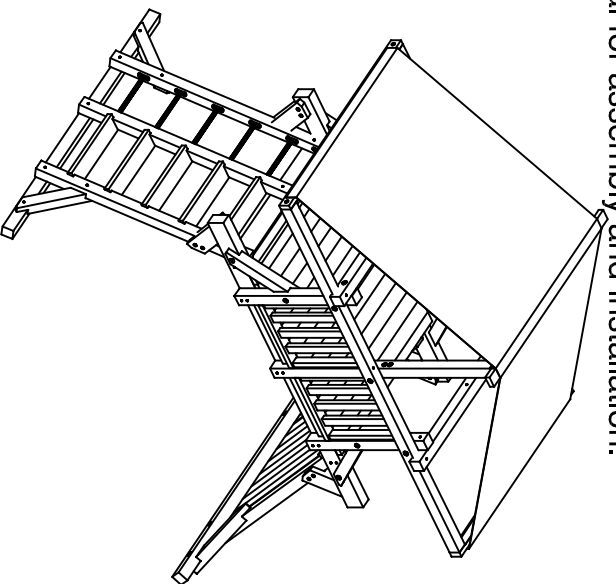
Bottom of handrails and [T2] are flush with deck.

ROOF & SWING BEAM INSTALL

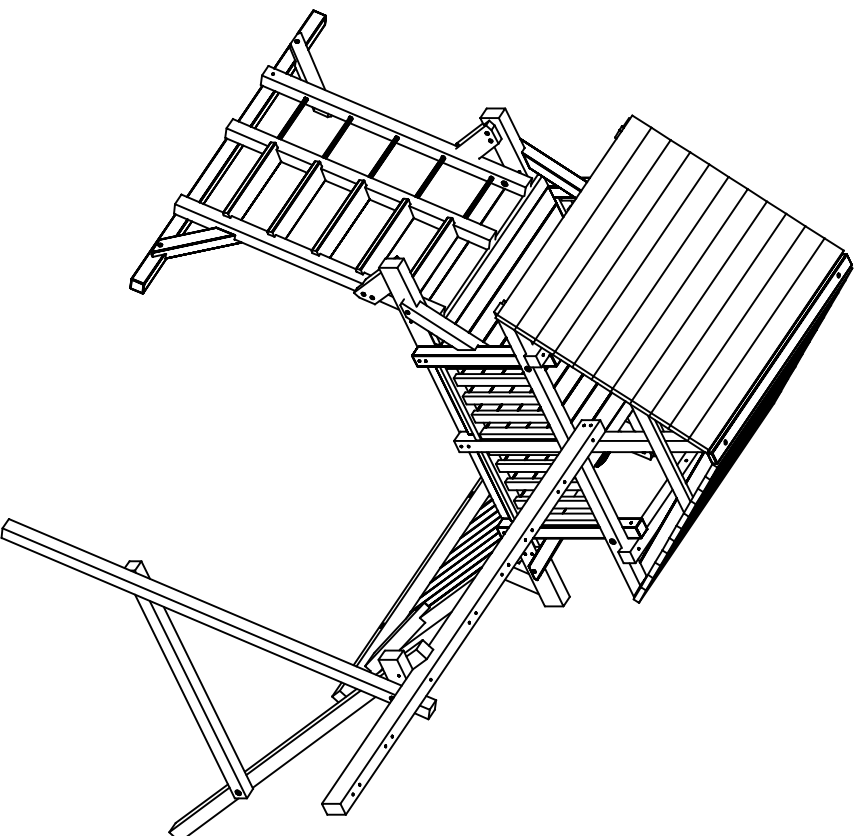
⚠ Refer to your wood roof instruction manual for assembly and installation.



⚠ Refer to your vinyl roof instruction manual for assembly and installation.



⚠ Refer to your swing beam instruction manual for assembly and installation.



ROPE LADDER / ROCK WALL INSTALL

PARTS REQUIRED:

- (3) SA 3099 Rope
- (5) [99] Rope Ladder Tread

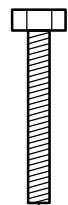
WS 4541 x12

Rocks
(In accessory box)

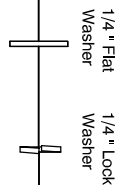


x24 H1

Rock Fasteners
(In accessory box)



1/4 x 2" Hex Bolt



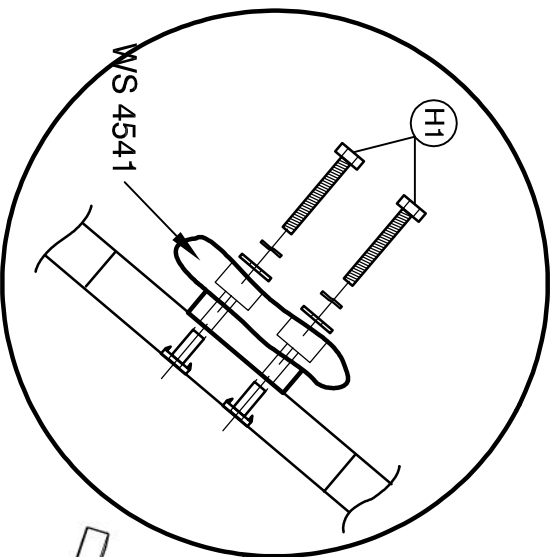
1/4" Flat Washer

1/4" Lock Washer



1/4" T-Nut

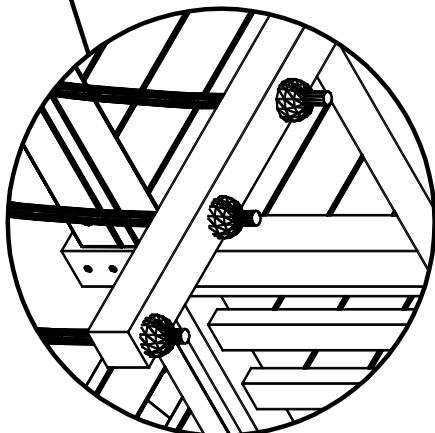
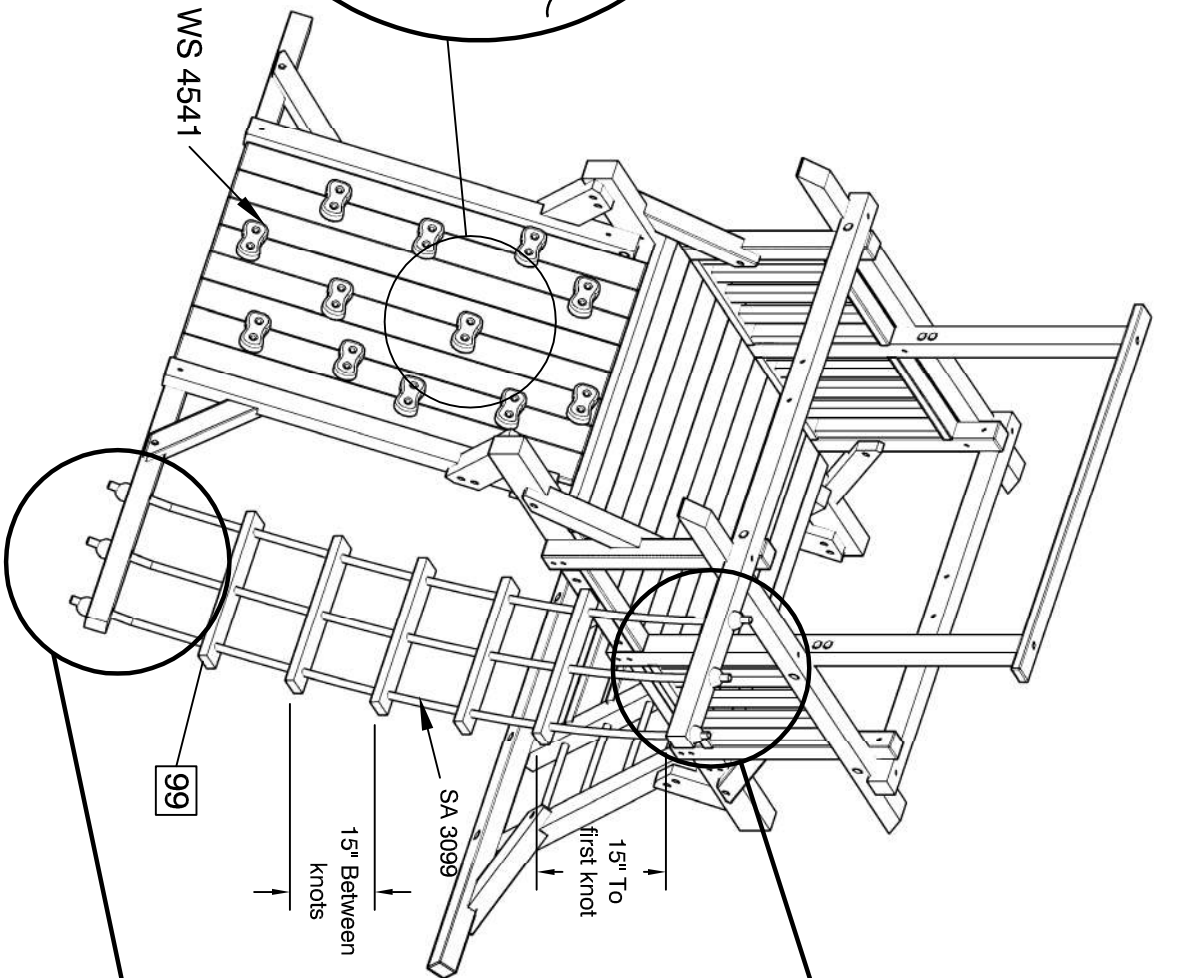
NOTE: DO NOT CUT ROPE ENDS TO AVOID UNRAVELING.



W/S 4541

H1

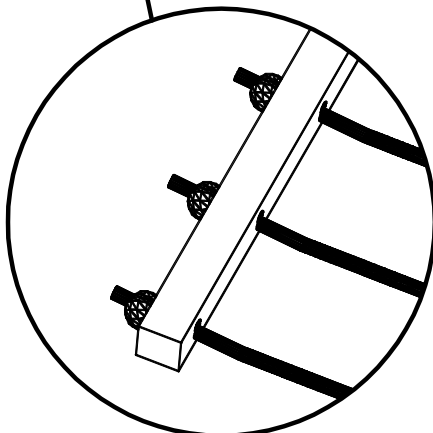
Mark and Pre-Drill 5/16" Hole at desired locations. Pound T-Nuts in from behind wall.



1. Loop rope ladder through top brace and tie a double knot

2. Loop rope through [99] ladder rung and tie a knot underneath [99] at 15". Continue tying knots under [99] at 15" between knots.

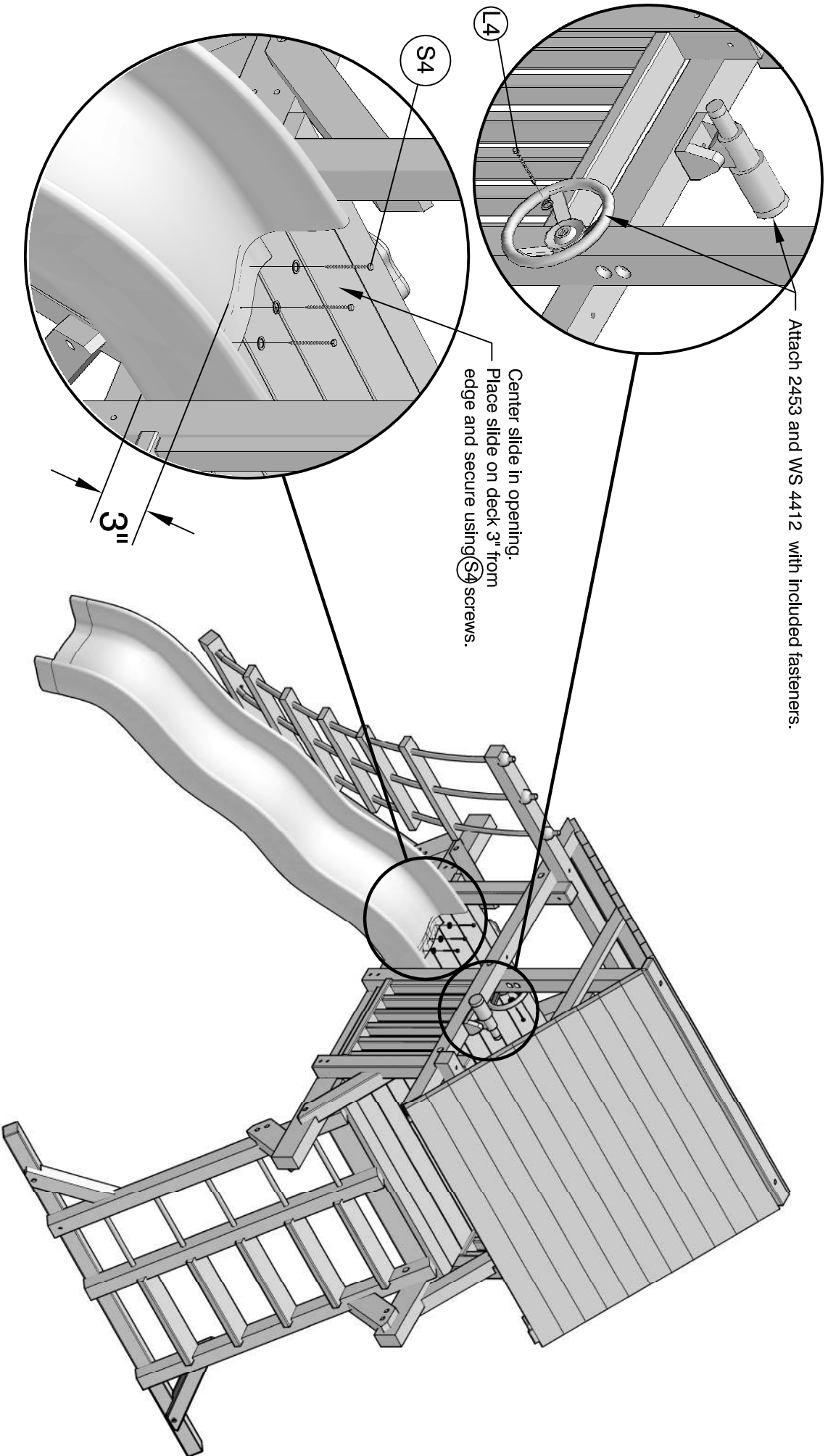
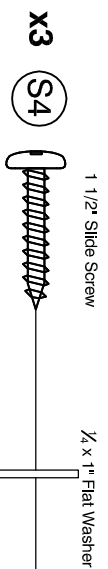
3. Loop rope ladder through lower brace and tie a double knot.



ACCESSORIES INSTALLATION

PARTS REQUIRED:

- (1) 10' Wave Slide (S)
- (1) WS 4412 Steering Wheel w/Lag Bolt and Washer
- (1) 2453 Telescope w/Lag Bolt and Washer



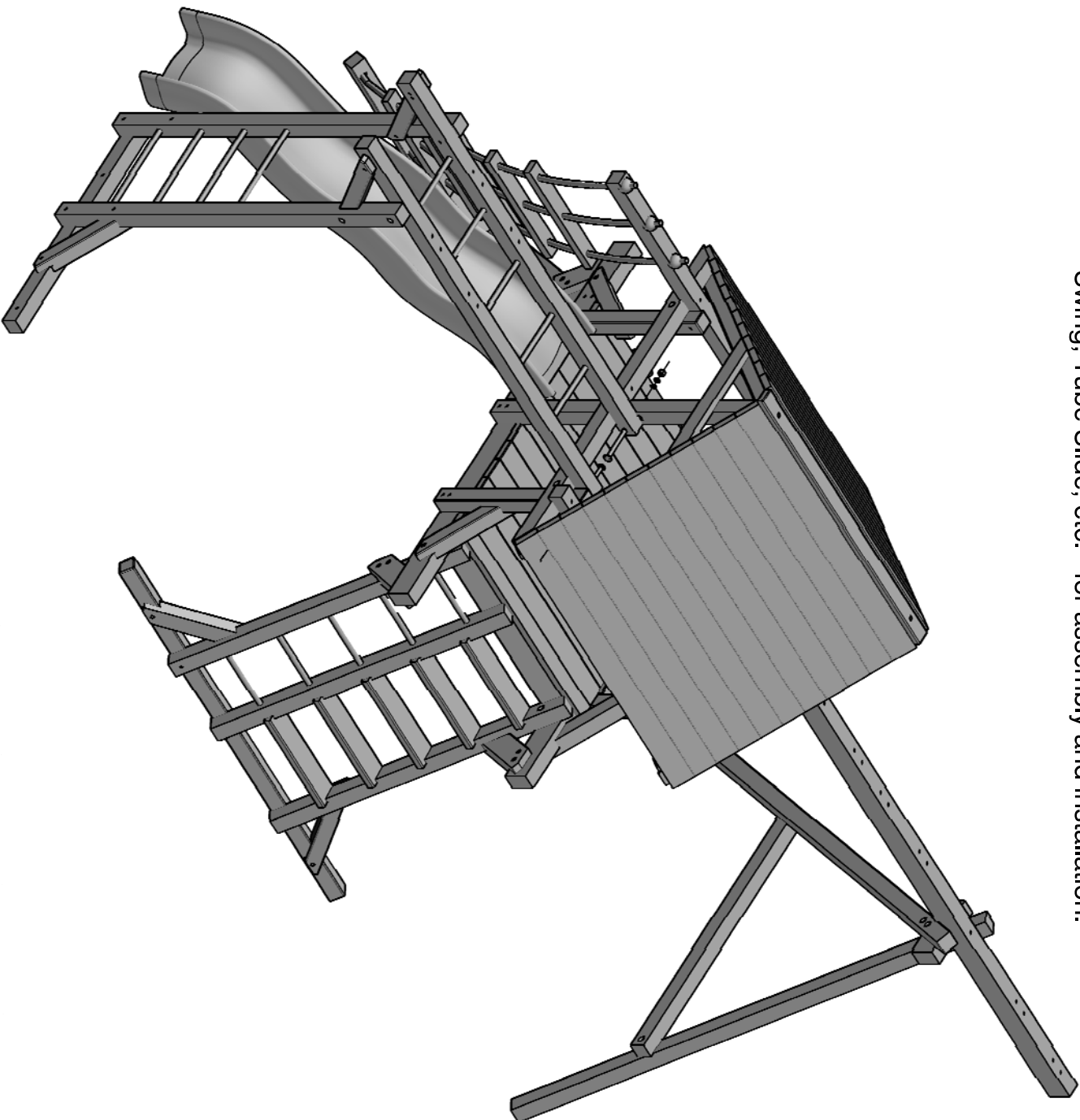
Attach 2453 and WS 4412 with included fasteners.

Center slide in opening.
Place slide on deck 3" from edge and secure using S4 screws.

3"

OPTIONS INSTALLATION

 Refer to manuals packed in optional accessories - Monkey Bars, Tire Swing, Tube Slide, etc. - for assembly and installation.



WARRANTY

Backyard Play Systems warrants the following:

1. All wood components have a Limited Lifetime Warranty.
 - Wood - Backyard Play Systems will replace treated wood which becomes structurally un t due solely to damage caused by fungal decay or termites.
2. All non-wood components* have a three year Limited Warranty.
 - *Ropes and canopy carry a one year Limited Warranty.
3. Installation labor has a three year Limited Warranty applicable on playsets installed by Backyard Play Systems. Labor warranty does NOT apply to Do-It-Yourself playset kits or kits installed by a third party.

Backyard Play Systems will repair, replace or pay for the affected part at our discretion. In no event shall Backyard Play Systems pay the cost of labor or installation or any other costs related thereto.

Non-residential use of the system is prohibited and will void this warranty as the system is designed for residential use only.

Conditions

The warranty is effective only when:

1. The unit has been erected in accordance with the assembly instructions.
2. The unit has been regularly and properly maintained and inspected.
3. The failure occurs when the unit is owned by the original purchaser.
4. This warranty is non-transferable
5. Backyard Play Systems has received a copy of your original proof of purchase with any claims in writing.
6. Backyard Play Systems has had reasonable opportunity during the sixty (60) days following the receipt of noti cation to inspect and verify the failure prior to commencement of any repair work.
7. "Signi cant color changes" to wood components is at the discretion of Backyard Products and require proof in the form of photographs or inspection by Backyard Play Systems.

Wooden components may have imperfections such as checks and knots. These are natural blemishes and imperfections which are inherent to wood. The imperfections not resulting in structural failure are not covered under this warranty.

Requirements

To validate your warranty it is necessary to fill out and mail in the enclosed warranty card. And also to maintain and inspect your playset regularly. Regularly is defined as once per start and end of season.

Claim Procedure

To make a claim under this warranty, you can either call 1-866-890-2211 or prepare a letter. Please have ready the information below when you call or include the information in writing:

1. The model and size of the product.
2. A list of the part(s) for which the claim is made.
3. Proof of purchase of the Backyard Play Systems item, as shown on the original invoice.
4. Run Code, as listed on the enclosed warranty card.

Mail the above information to:

Backyard Play Systems
Attn: Customer Service
1000 Ternes Dr.
Monroe, MI 48162

WARRANTY

Please feel free to call our Consumer Help Line Toll Free

1-800-577-9663

April through October M - F 8:00 AM to 6:00 PM EST

Saturday 8:30 AM to 4:30 PM EST

November through March M - F 8:00 AM to 5:00 PM EST

No warranty is offered on the following: (1) equipment subject to abuse, negligence, improper installation, vandalism, acts of God, unauthorized alteration or attachment to equipment other than our own: or (2) equipment subjected to improper use, service or repair by customer or any third party.

To the maximum extent permitted by law, this warranty and the remedies set forth herein are exclusive and expressly in lieu of all other warranties, expressed or implied, including warranties of merchantability or fitness for a particular purpose. If Backyard Play Systems cannot disclaim or exclude implied warranties under applicable law, then to the extent possible any claims under any such implied warranties shall expire on expiration of the applicable warranty period. Some states do not allow limitations on how long an implied warranty lasts, so the above limitation may or may not apply to you. Backyard Play Systems does not assume, or authorize any person to assume for us, any other liability in connection with the sale of our products.

To the maximum extent of the law, Backyard Play Systems assumes no responsibility for incidental or consequential damages which may arise from the purchase or use of our playset or equipment. Some states do not allow the exclusion or limitation of incidental or consequential damages, so the above limitation or exclusion may not apply to you.

If any provision of this limited warranty is invalid, void or unenforceable in any instance or respect, the unenforceable provision will be severed and reformed to effect the intent of this limited warranty to the maximum extent possible, and the remaining provisions shall continue in full force and effect and shall be enforced to the full extent permitted by law.

This warranty gives you specific legal rights, and you may also have other rights which vary from state to state.

- WARRANTY TERMS MAY VARY OUTSIDE THE U.S.A.**
- This manual is your warranty certificate. Please retain your original proof of purchase and this manual for any warranty claims.